



POWERED SPEAKER SYSTEM
DXRmkII series

DXR15 mkII

DXR12 mkII

DXR10 mkII

DXR8 mkII

EN
DE
FR
ES
PT
IT
RU
ZH
JA

Owner's Manual

Bedienungsanleitung

Mode d'emploi

Manual de instrucciones

Manual do Proprietário

Manuale di istruzioni

Руководство пользователя

使用说明书

取扱説明書

English

Deutsch

Français

Español

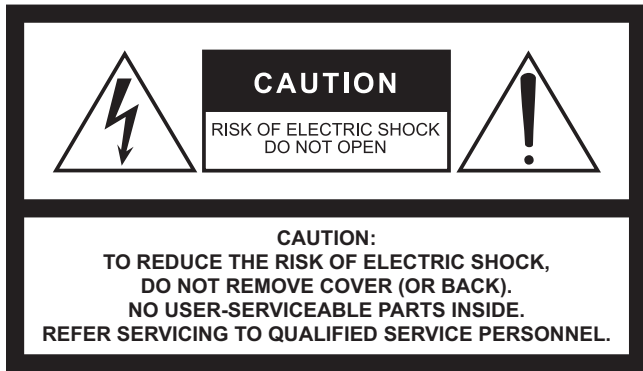
Português

Italiano

Русский

中文

日本語



The above warning is located on the rear of the unit.



L'avertissement ci-dessus est situé sur l'arrière de l'unité.

Explanation of Graphical Symbols Explication des symboles



The lightning flash with arrowhead symbol within an equilateral triangle is intended to alert the user to the presence of uninsulated “dangerous voltage” within the product’s enclosure that may be of sufficient magnitude to constitute a risk of electric shock to persons.
L'éclair avec une flèche à l'intérieur d'un triangle équilatéral est destiné à attirer l'attention de l'utilisateur sur la présence d'une « tension dangereuse » non isolée à l'intérieur de l'appareil, pouvant être suffisamment élevée pour constituer un risque d'électrocution.



The exclamation point within an equilateral triangle is intended to alert the user to the presence of important operating and maintenance (servicing) instructions in the literature accompanying the product.
Le point d'exclamation à l'intérieur d'un triangle équilatéral est destiné à attirer l'attention de l'utilisateur sur la présence d'instructions importantes sur l'emploi ou la maintenance (réparation) de l'appareil dans la documentation fournie.

IMPORTANT SAFETY INSTRUCTIONS

- 1 Read these instructions.
- 2 Keep these instructions.
- 3 Heed all warnings.
- 4 Follow all instructions.
- 5 Do not use this apparatus near water.
- 6 Clean only with dry cloth.
- 7 Do not block any ventilation openings. Install in accordance with the manufacturer's instructions.
- 8 Do not install near any heat sources such as radiators, heat registers, stoves, or other apparatus (including amplifiers) that produce heat.
- 9 Do not defeat the safety purpose of the polarized or grounding-type plug. A polarized plug has two blades with one wider than the other. A grounding type plug has two blades and a third grounding prong. The wide blade or the third prong are provided for your safety. If the provided plug does not fit into your outlet, consult an electrician for replacement of the obsolete outlet.
- 10 Protect the power cord from being walked on or pinched particularly at plugs, convenience receptacles, and the point where they exit from the apparatus.
- 11 Only use attachments/accessories specified by the manufacturer.
- 12 Use only with the cart, stand, tripod, bracket, or table specified by the manufacturer, or sold with the apparatus. When a cart is used, use caution when moving the cart/apparatus combination to avoid injury from tip-over.
- 13 Unplug this apparatus during lightning storms or when unused for long periods of time.
- 14 Refer all servicing to qualified service personnel. Servicing is required when the apparatus has been damaged in any way, such as power-supply cord or plug is damaged, liquid has been spilled or objects have fallen into the apparatus, the apparatus has been exposed to rain or moisture, does not operate normally, or has been dropped.



WARNING

TO REDUCE THE RISK OF FIRE OR ELECTRIC SHOCK, DO NOT EXPOSE THIS APPARATUS TO RAIN OR MOISTURE.

(UL60065_03)

PRÉCAUTIONS CONCERNANT LA SÉCURITÉ

- 1 Lire ces instructions.
- 2 Conserver ces instructions.
- 3 Tenir compte de tous les avertissements.
- 4 Suivre toutes les instructions.
- 5 Ne pas utiliser ce produit à proximité d'eau.
- 6 Nettoyer uniquement avec un chiffon propre et sec.
- 7 Ne pas bloquer les orifices de ventilation. Installer l'appareil conformément aux instructions du fabricant.
- 8 Ne pas installer l'appareil à proximité d'une source de chaleur comme un radiateur, une bouche de chaleur, un poêle ou tout autre appareil (y compris un amplificateur) produisant de la chaleur.
- 9 Ne pas modifier le système de sécurité de la fiche polarisée ou de la fiche de terre. Une fiche polarisée dispose de deux broches dont une est plus large que l'autre. Une fiche de terre dispose de deux broches et d'une troisième pour le raccordement à la terre. Cette broche plus large ou cette troisième broche est destinée à assurer la sécurité de l'utilisateur. Si la fiche équipant l'appareil n'est pas compatible avec les prises de courant disponibles, faire remplacer les prises par un électricien.
- 10 Acheminer les cordons d'alimentation de sorte qu'ils ne soient pas piétinés ni coincés, en faisant tout spécialement attention aux fiches, prises de courant et au point de sortie de l'appareil.
- 11 Utiliser exclusivement les fixations et accessoires spécifiés par le fabricant.
- 12 Utiliser exclusivement le chariot, le stand, le trépied, le support ou la table recommandés par le fabricant ou vendus avec cet appareil. Si l'appareil est posé sur un chariot, déplacer le chariot avec précaution pour éviter tout risque de chute et de blessure.
- 13 Débrancher l'appareil en cas d'orage ou lorsqu'il doit rester hors service pendant une période prolongée.
- 14 Confier toute réparation à un personnel qualifié. Faire réparer l'appareil s'il a subi tout dommage, par exemple si la fiche ou le cordon d'alimentation est endommagé, si du liquide a coulé ou des objets sont tombés à l'intérieur de l'appareil, si l'appareil a été exposé à la pluie ou à de l'humidité, si l'appareil ne fonctionne pas normalement ou est tombé.



AVERTISSEMENT

POUR RÉDUIRE LES RISQUES D'INCENDIE OU DE DÉCHARGE ÉLECTRIQUE, N'EXPOSEZ PAS CET APPAREIL À LA PLUIE OU À L'HUMIDITÉ.

(UL60065_03)

FCC INFORMATION (U.S.A.)

1. IMPORTANT NOTICE: DO NOT MODIFY THIS UNIT!

This product, when installed as indicated in the instructions contained in this manual, meets FCC requirements. Modifications not expressly approved by Yamaha may void your authority, granted by the FCC, to use the product.

2. IMPORTANT: When connecting this product to accessories and/or another product use only high quality shielded cables. Cable/s supplied with this product MUST be used. Follow all installation instructions. Failure to follow instructions could void your FCC authorization to use this product in the USA.

3. NOTE: This product has been tested and found to comply with the requirements listed in FCC Regulations, Part 15 for Class "B" digital devices. Compliance with these requirements provides a reasonable level of assurance that your use of this product in a residential environment will not result in harmful interference with other electronic devices. This equipment generates/uses radio frequencies and, if not installed and used according to the instructions found in the users manual, may cause interference harmful to the operation of other electronic devices. Compliance with FCC regulations does not guarantee

that interference will not occur in all installations. If this product is found to be the source of interference, which can be determined by turning the unit "OFF" and "ON", please try to eliminate the problem by using one of the following measures:

Relocate either this product or the device that is being affected by the interference.

Utilize power outlets that are on different branch (circuit breaker or fuse) circuits or install AC line filter/s.

In the case of radio or TV interference, relocate/reorient the antenna. If the antenna lead-in is 300 ohm ribbon lead, change the lead-in to co-axial type cable.

If these corrective measures do not produce satisfactory results, please contact the local retailer authorized to distribute this type of product. If you can not locate the appropriate retailer, please contact Yamaha Corporation of America, Electronic Service Division, 6600 Orangethorpe Ave, Buena Park, CA90620

The above statements apply ONLY to those products distributed by Yamaha Corporation of America or its subsidiaries.

* This applies only to products distributed by Yamaha Corporation of America.

(class B)

COMPLIANCE INFORMATION STATEMENT (Supplier's declaration of conformity procedure)

Responsible Party : Yamaha Corporation of America
Address : 6600 Orangethorpe Ave., Buena Park, Calif. 90620
Telephone : 714-522-9011
Type of Equipment : Powered Speaker System
Model Name : DXR15mkII, DXR12mkII, DXR10mkII, DXR8mkII

This device complies with Part 15 of the FCC Rules.

Operation is subject to the following two conditions:

- 1) this device may not cause harmful interference, and
- 2) this device must accept any interference received including interference that may cause undesired operation.

* This applies only to products distributed by Yamaha Corporation of America.

(FCC SDoC)

PRECAUTIONS

PLEASE READ CAREFULLY BEFORE PROCEEDING

Please keep this manual in a safe place for future reference.

This powered speaker system is designed for PA use. Do not use for any purposes other than the one intended. Those who are unfamiliar with handling or those who can not handle according to this manual such as children, should be supervised by responsible persons to ensure safety.



WARNING

Always follow the basic precautions listed below to avoid the possibility of serious injury or even death from electrical shock, short-circuiting, damages, fire or other hazards. These precautions include, but are not limited to, the following:

If you notice any abnormality

- If any of the following problems occur, immediately turn off the power switch and disconnect the electric plug from the outlet.
 - The power cord or plug becomes frayed or damaged.
 - Unusual smells or smoke are emitted.
 - Some object, or water has been dropped into the product.
 - There is a sudden loss of sound during use of the product.
 - Cracks or other visible damage appear on the product.
 Then have the product inspected or repaired by qualified Yamaha service personnel.

Power supply/Power cord

- Do not place the power cord near heat sources such as heaters or radiators, and do not excessively bend or otherwise damage the cord, place heavy objects on it, or place it in a position where anyone could walk on, trip over, or roll anything over it.
- Only use the voltage specified as correct for the product. The required voltage is printed on the name plate of the product.
- Use only the supplied power cord/plug. If you intend to use the product in an area other than in the one you purchased, the included power cord may not be compatible. Please check with your Yamaha dealer.
- Check the electric plug periodically and remove any dirt or dust which may have accumulated on it.
- Make sure to fully insert the electric plug to prevent electric shocks or fire.
- When setting up the product, make sure that the AC outlet you are using is easily accessible. If some trouble or malfunction occurs, immediately turn off the power switch and disconnect the plug from the outlet. Even when the power switch is turned off, as long as the power cord is not unplugged from the wall AC outlet, the product will not be disconnected from the power source.
- Remove the electric plug from the outlet when the product is not to be used for extended periods of time.
- Do not touch the product or the electric plug during an electrical storm.

- Be sure to connect to an appropriate outlet with a protective grounding connection. Improper grounding can result in electrical shock, fire, or damage.

Do not open

- This product contains no user-serviceable parts. Do not attempt to disassemble the internal parts or modify them in any way.

Water warning/Fire warning

- Do not expose the product to rain, use it near water or in damp or wet conditions, or place on it any containers (such as vases, bottles or glasses) containing liquids which might spill into any openings.
- Never insert or remove an electric plug with wet hands.
- Do not place any burning items or open flames near the product, since they may cause a fire.

Hearing loss

- Before turning the power of all devices on or off, make sure that all volume levels are set to the minimum. Failing to do so may result in hearing loss, electric shock, or device damage.
- When turning on the AC power in your audio system, always turn on the product LAST, to avoid hearing loss and speaker damage. When turning the power off, the product should be turned off FIRST for the same reason.



CAUTION

Always follow the basic precautions listed below to avoid the possibility of physical injury to you or others. These precautions include, but are not limited to, the following:

Power supply/Power cord

- When removing the electric plug from the product or an outlet, always hold the plug itself and not the cord. Pulling by the cord can damage it.

Location and connection

- Do not place the product in an unstable position or a location with excessive vibration, where it might accidentally fall over and cause injury.
- Keep the device out of reach of children. This product is not suitable for use in locations where children are likely to be present.
- Do not block the vents. This product has ventilation holes at the rear to prevent the internal temperature from becoming too high. In particular, do not place the product on its side or upside down. Inadequate ventilation can result in overheating, possibly causing damage to the product(s), or even fire.
- When attempting to dissipate heat on the product, when installing it, do not use the product in a confined, poorly-ventilated location. Inadequate ventilation can result in overheating, possibly causing damage to the product(s), or even fire. Make sure that there is adequate space around the product: at least 30cm above, 30cm at the sides and 30cm behind.
- Do not place the product in a location where it may come into contact with corrosive gases or salt air. Doing so may result in malfunction.

- Before moving the product, remove all connected cables.
- When transporting or moving DXR15mkII, always use two or more people. Attempting to lift the product by yourself may damage your back, result in other injury, or cause damage to the product itself.
- Do not use the speaker's handles for suspended installation. Doing so can result in damage or injury.
- Do not hold the bottom of the product when transporting or moving it. In doing so, you may pinch your hands under the product, and result in injury.
- Do not press the rear panel of the product against the wall. Doing so may cause the plug to come in contact with the wall and detach from the power cord, resulting in short circuiting, malfunction, or even fire.
- Always consult qualified Yamaha service personnel if the product installation requires construction work. Improper installation might cause accidents, injuries, damage or malfunction of this product.

Maintenance

- Remove the power plug from the AC outlet when cleaning the product.

Handling caution

- Do not rest your weight on the product or place heavy objects on it.
- Do not operate the product if the sound is distorting. Prolonged use in this condition could cause overheating and result in fire.

NOTICE

To avoid the possibility of malfunction/ damage to the product, or damage to other property, follow the notices below.

Handling and maintenance

- Do not use the product in the vicinity of a TV, radio, or other electric products. Otherwise, the product, TV, or radio may generate noise.
- Do not expose the product to excessive dust or vibration, or extreme cold or heat, in order to prevent the possibility of panel disfiguration, unstable operation, or damage to the internal components.
- Do not install in locations where temperature changes are severe. Otherwise, condensation may form on the inside or the surface of the product, causing it to break.
- If there is reason to believe that condensation might have occurred, leave the product for several hours without turning on the power until the condensation has completely dried out, in order to prevent possible damage.
- Do not place vinyl, plastic or rubber objects on the product, since this might cause alteration or discoloration of the panel.
- When cleaning the product, use a dry and soft cloth. Do not use paint thinners, solvents, cleaning fluids, or chemical-impregnated wiping cloths, since this might cause alteration or discoloration.

Information

About functions/data bundled with the product

- XLR-type connectors are wired as follows (IEC60268 standard): pin 1: ground, pin 2: hot (+), and pin 3: cold (-).

About this manual

- The illustrations as shown in this manual are for instructional purposes only.
- The company names and product names in this manual are the trademarks or registered trademarks of their respective companies.

About disposal

- This product contains recyclable components. When disposing of this product, please contact the appropriate local authorities.

Yamaha cannot be held responsible for damage caused by improper use or modifications to the product.

Introduction

Thank you for purchasing the Yamaha DXRmkII series powered speaker system.

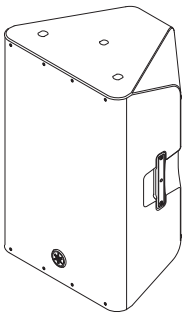
Please read this manual thoroughly to ensure optimum use of the DXRmkII series for the longest possible period of time. Keep the manual in a safe place for future reference.

*The subwoofer used in combination with the DXRmkII series (as shown in this manual) is assumed to be the DXS series (DXS18, DXS15mkII, or DXS12mkII).

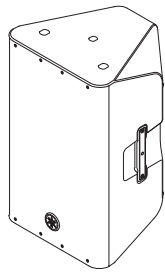
Contents

Introduction.....	6	Setup Examples	10
Main Features of the DXRmkII Series	6	Troubleshooting.....	12
Controls and Functions	7	References	98

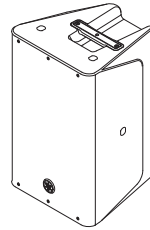
Main Features of the DXRmkII Series



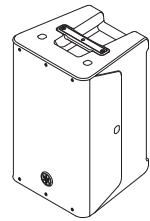
DXR15mkII



DXR12mkII



DXR10mkII



DXR8mkII

■ FIR-X tuning™

Our proprietary sound-processing technology utilizing a linear-phase FIR filter delivers excellent sound quality at high resolution with a smooth frequency response that is unaffected by phase interference near the crossover point.

■ D-CONTOUR (Dynamic CONTOUR)

D-CONTOUR is a multiband compressor that dynamically controls the level of each frequency range according to the application and human hearing characteristics. It features a FOH/MAIN mode for using your DXRmkII as a main speaker, and a MONITOR mode that has been optimized for use as a floor monitor. Select the mode that suits your application.

■ Mixing/LINK functionality

The DXRmkII series features mixing functionality, enabling you to mix sounds by directly inputting three channel signals into the unit.

In addition, the LINK function enables you to easily configure a stereo or dual-mono SR (Sound Reinforcement) system using two DXRmkIIs.

■ DSP-controlled advanced protection system

Powerful protection circuits ensure secure protection in the speaker unit, amplifier unit, and power supply unit. This protection functionality promotes optimal performance of each component and optimum reliability without distortion even in challenging environments.

Included Accessories

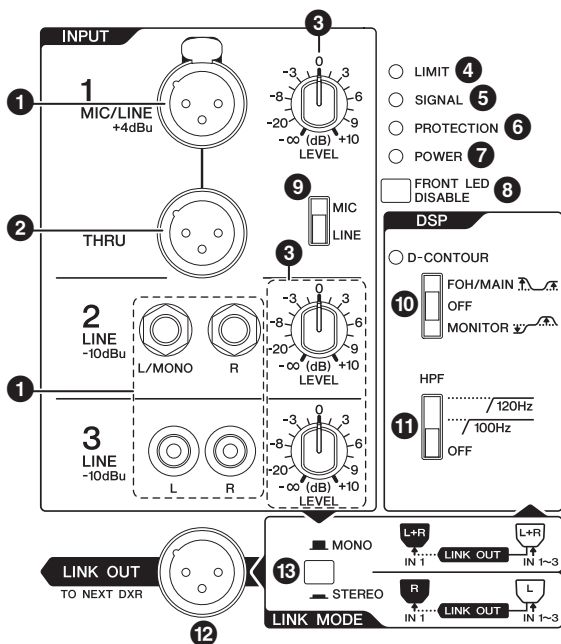
- AC power cord
- Owner's Manual (this book)

Optional Accessories (sold separately)

	U-bracket	Cover
DXR15mkII	UB-DXR15	SPCVR-1501
DXR12mkII	UB-DXR12	SPCVR-1201
DXR10mkII	UB-DXR10	SPCVR-1001
DXR8mkII	UB-DXR8	SPCVR-0801

Controls and Functions

Rear panel



1 INPUT jacks

These comprise a balanced XLR input jack (INPUT 1), unbalanced phones (INPUT 2) and RCA pin input jacks (INPUT 3).

You can connect a mixing console or microphone to INPUT 1, a keyboard or electric-acoustic guitar to INPUT 2, and a portable audio player or CD player to INPUT 3. Signals from INPUT 1-3 are mixed inside the DXRmkII unit.

2 THRU jack

This is a balanced XLR output jack. The INPUT 1 signal is passed through unaffected, since this is parallel-connected to the INPUT 1 (XLR) jack.

3 LEVEL controls

For adjusting the level of each INPUT signal. If you connect a device that features a nominal output level of +4dBu (such as a mixing console), set the MIC/LINE switch (9) on the DXRmkII series to LINE, and adjust the LEVEL control using its 12 o'clock position as a reference.

4 LIMIT indicator

Lights when the output limiter is active. The output limiter will operate in order to protect the speaker and amp, attenuating the output signal to the amplifier. If this indicator stays lit, lower the level of the input signal.

NOTE

- If the output voltage of the amplifier has exceeded the maximum value, or if excessive integral power consumption is detected, the output limiter attenuates the output signal to the amplifier. The LIMIT indicator will light when the amount of attenuation is 3dB or higher.
- The integral power consumption refers to the sum of power consumption provided to the speaker driver per unit time.

5 SIGNAL indicator

Lights when an audio input signal is detected.

6 PROTECTION indicator

Lights when the protection system is active. The protection system will operate and the speaker output will be muted in the following situations.

- **If amplifier overheating is detected:**
- **If DC output is detected:**
- **If overcurrent is detected:**
- **When turning the power on:**

The protection system will be activated to prevent noise and the indicator will light for about two seconds. The indicator turns off when the power supply has started normally.

- **When turning the power off:**

Or if the power turns off due to an unexpected error, the protection system will be activated to prevent noise, and then the power will be shut down.

NOTE

If the protection system has engaged after the problem was detected, waiting until the amplifier cools down or powering off and on again will return to normal operation. If the unit does not return to normal operation, please contact your Yamaha dealer.

7 POWER indicator

Lights when the power switch (15) is set to on.

8 FRONT LED DISABLE switch

Selects turning on or off the FRONT LED at the left of the unit's front grille. The LED will light when this switch is set to off (■). Turn this switch on (☐) when you want to turn off the LED.

NOTE

The LED will light brighter than usual if the attenuation of the output limiter is 3dB or higher.

9 MIC/LINE switch

Set this switch to MIC or LINE for INPUT 1 jack, depending on the level of the input signal. For low-level signals (such as microphones), set the switch to the MIC position. For high level signals (such as mixer), set the switch to the LINE position.

Controls and Functions

10 D-CONTOUR switch

Selects one of the D-CONTOUR (Dynamic CONTOUR) presets. The FOH/MAIN setting will boost the high and low frequency components so that the frequency response will become suitable for a main speaker. The MONITOR setting also suppresses the low range, which could otherwise tend to be boomy if the speaker is set directly on the floor or used along with a main speaker. With the FOH/MAIN or MONITOR setting, the D-CONTOUR function is enabled and controls the boost and attenuation amounts dynamically in relation to the sound volume. When this switch is set to OFF, a generic frequency response setting will be used and the D-CONTOUR function will be turned off.

11 HPF switch

Specifies the HPF's cut-off frequency. If the switch is set to 120Hz or 100Hz, the high-pass filter will cut the frequency components below that threshold. If you plan to use your DXRmkII without a subwoofer, set this switch to OFF. If you plan to use the DXRmkII along with a subwoofer, we recommend that you set this switch to 120Hz or 100Hz.

12 LINK OUT jack

This XLR jack outputs signals (routed from each INPUT jack) to a connected DXRmkII series speaker. Connect this jack to the INPUT 1 (XLR) jack on the linked DXRmkII series speaker. Signals at the LINK OUT jack are line-level. Set the MIC/LINE switch on the linked DXRmkII series speaker to LINE. For stereo signals, set the LEVEL control on the linked DXRmkII to the 12 o'clock position to balance the levels between two DXRmkIIs.

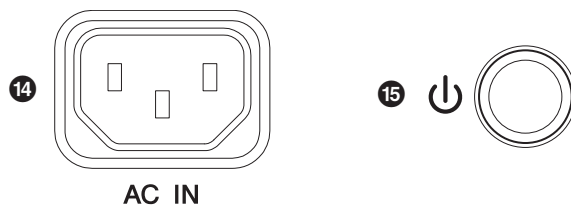
13 LINK MODE switch

Enables you to select whether the mixed signal (on the original DXRmkII) will be played in stereo or monaural on the original and linked DXRmkIIs. The following signals are mixed and output according to the switch setting.

LINK MODE	STEREO			MONO		
	INPUT1	INPUT2/3		INPUT1	INPUT2/3	
Input of the original DXRmkII		L	R		L	R
Output of the original DXRmkII	✓	✓	–	✓		
Output of the linked DXRmkII	✓	–	✓	✓		


NOTE

If you use only a single, stand-alone DXRmkII, set this switch to MONO (■). If you set the switch to STEREO (▬), audio signals input at the R channel of INPUT 2/3 will not be output.




14 AC IN inlet

Connect the supplied AC power cord here. First, connect the power cord to the device, then insert the power cord plug into the AC outlet.



Use only the supplied power cord/plug.

WARNING



Be sure to turn the power off before connecting or disconnecting the power cord.

CAUTION

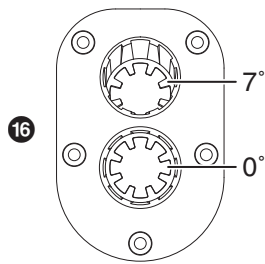
15 Power switch

Turns the power supply on or off. Press the switch to turn the power on (▬).

NOTE

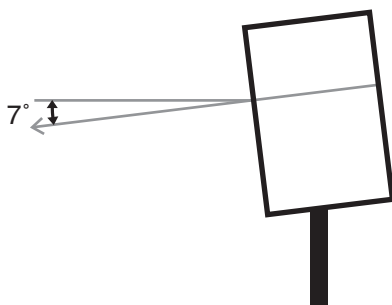
- If you are using multiple devices, turn on the power to each device individually. If you turn on the power to multiple devices simultaneously, a temporary drop in the power voltage may occur, possibly resulting in abnormal operation of the devices.
- Rapidly turning the unit on and off in succession can cause it to malfunction. After turning the unit off, wait for about 5 seconds before turning it on again.

Tiltable pole socket



16 Tiltable pole socket

This mount has two pole sockets. You can choose the angle of the DXRmkII (mounted on a speaker pole) so that the speaker will be horizontal to the floor or tilting toward the floor by 7 degrees.



Suspended installation

If you plan to suspend your DXRmkII series speaker, attach commercially-available eye bolts to the screw holes (which are sealed at the time of shipment) located on the top (two locations) and on the lower part of the rear (one location).

The size of the screw holes on the DXR15mkII and DXR12mkII is M10 (for an eye bolt length of 18mm or less). The size of the screw holes on the DXR10mkII and DXR8mkII is M8 (for an eye bolt length of 15mm or less). Keep in mind that you will need three eye bolts to suspend it. Make sure to use the eye bolts according to the standards and safety regulations in your area.



CAUTION

Before doing any installation or construction work, consult with an installation expert.

When choosing the installation location, suspension wire and mounting hardware, make sure all are strong enough to support the weight of the speaker.

Some fittings may deteriorate over extended periods of time due to wear and/or corrosion. For optimum safety, the installation should be checked thoroughly at regular intervals.

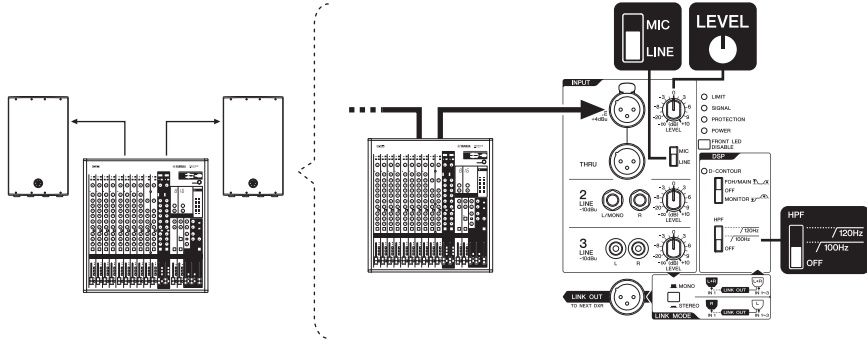
Yamaha cannot be held responsible for damage or injury caused by insufficient strength of the support structure or improper installation.

Setup Examples

English

1. Basic SR system

This example illustrates a basic SR system setup using two 2-way speakers. The system is suitable for a small-sized live space, a restaurant and a practice studio. As necessary, add a stage monitor system illustrated in no. 3.

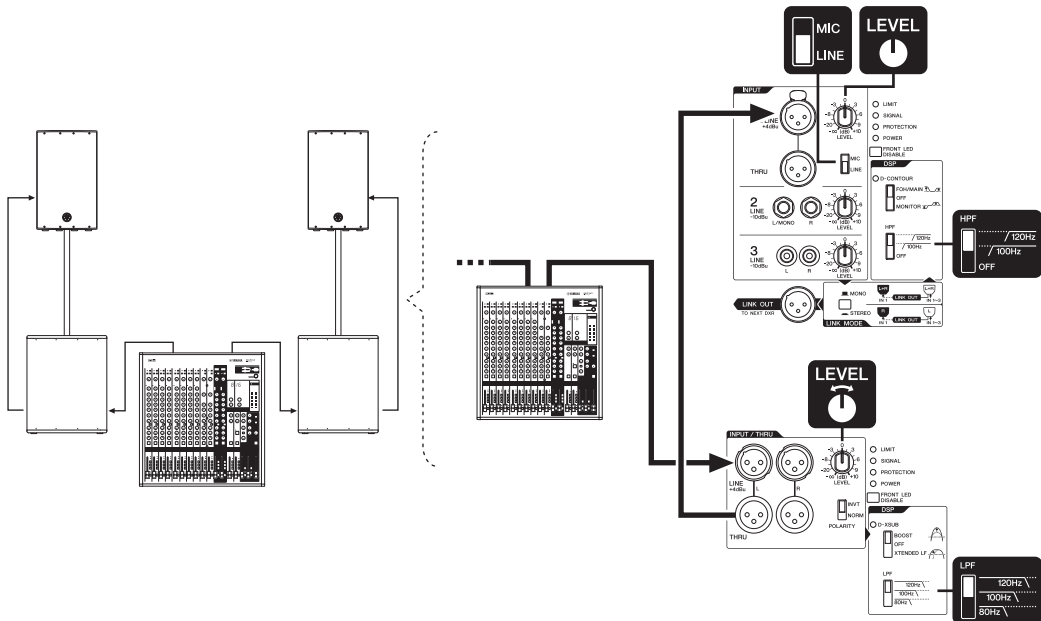


2. SR system with subwoofer

This example illustrates an SR system setup using two 2-way speakers and subwoofers with speaker poles. The system is suitable for a small-sized music venue, a house of worship and an event site. We recommend that the subwoofer's input level is set to 0dB (set the LEVEL control to a 12 o'clock position when using the DXS series). If you prefer, you can adjust the level as desired. As necessary, add a stage monitor system illustrated in no. 3.

NOTE

If you use multiple subwoofers at the same time, set the polarity (POLARITY switch when using the DXS series) of adjacent subwoofers to the same position. Otherwise, the sounds from each speaker may cancel each other, resulting in diminished sound pressure.



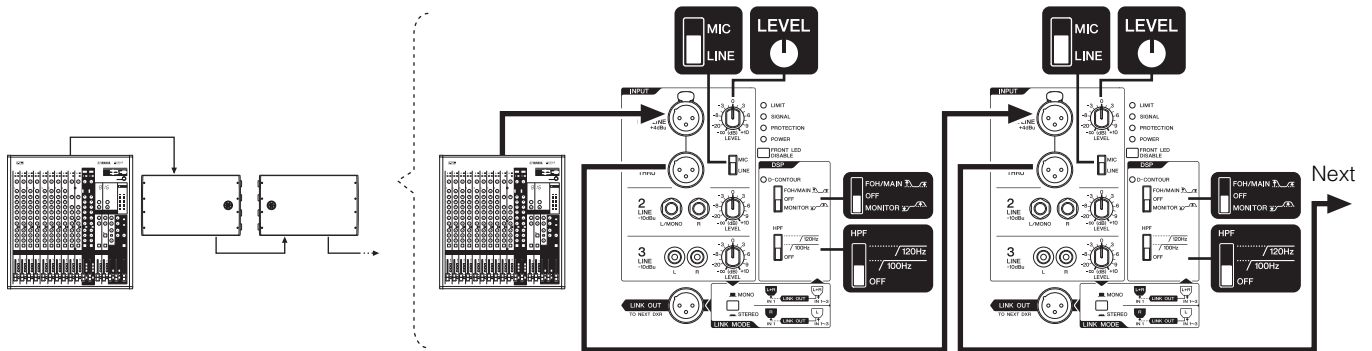
For more information about the settings on the DXS series, refer to the Owner's Manual for DXS18, DXS15mkII and DXS12mkII (combined).

3. Stage monitor system

This SR system is suitable as a performer's monitoring system. For use as a vocal monitor, set D-CONTOUR to MONITOR. As necessary, connect speakers in parallel.

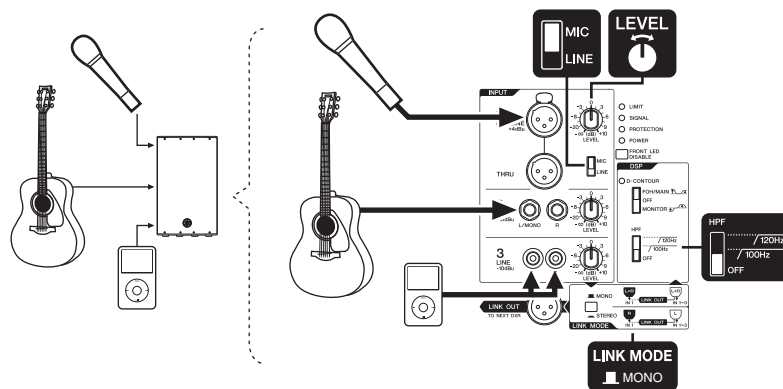
NOTE

Up to four speakers can be connected in parallel.



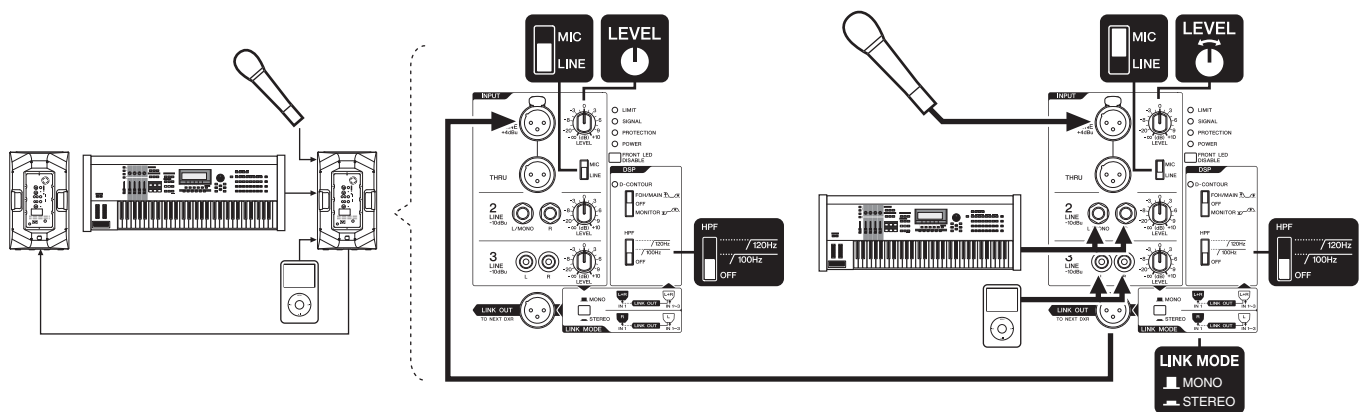
4. SR system with a single DXRmkII

This example illustrates an SR system using one 2-way speaker connected directly to a microphone, musical instrument, or playback source. This system can be used in a wide range of places such as corporate events, presentations, and restaurants. Adjust the volume with the LEVEL control to prevent feedback.



5. Simple SR system with two DXRmkIIs

This example illustrates a simple SR system using two 2-way speakers linked to each other. This system is suitable for a small-sized live venue. Audio can be output in stereo or monaural, by using one 2-way speaker connected directly to a microphone, musical instrument, or BGM sound source, then linking the speaker to another 2-way speaker via the LINK OUT jack. If you want to output in stereo, set the LINK MODE switch to the STEREO position.



Troubleshooting

Symptom	Possible causes	Possible solution
Power does not turn on.	The power cord is not connected properly.	Connect the power cord properly.
Power suddenly went off.	The protection system has operated, shutting down the power supply.	Turn off the power, wait until the amplifier cools down, and then turn on again.
No sound.	The cable is not connected properly.	Connect to the INPUT jack properly.
	The LINK MODE switch is set incorrectly.	If you are using a single DXRmkII, set the LINK MODE switch to MONO.
Sound is interrupted suddenly.	The protection system has operated, muting the output.	Wait until the amplifier cools down. If the device won't automatically reset itself, turn off the power, and then on again.
Sound howls (feedback).	A microphone is directed toward the speaker.	Keep the speaker away from the area where the microphone picks up sound.
	Sound is amplified too much.	Lower the volume of the input device and locate the microphone more closely to the sound source.
	The setting of the HPF switch is not appropriate.	Set the HPF switch on 120Hz or 100Hz if you get feedback in low frequency bands.
Each speaker sound differs (if multiple speakers are used).	Settings for each speaker differ.	Set the HPF and D-CONTOUR switches of each speaker to the same positions.
Sound is distorted.	Input volume is excessive.	<ul style="list-style-type: none"> Lower the volume of the input device to a point no higher than where the LIMIT indicator lights occasionally. If sound continues to be distorted even if you turn down the volume to the minimum, set the MIC/LINE switch to the LINE position (if the switch is set to MIC).
	Output volume is excessive.	Use the LEVEL control to lower the output level to a point no higher than where the LIMIT indicator lights occasionally.
The microphone volume is too low.	The MIC/LINE switch is set to LINE.	Set the MIC/LINE switch to the MIC position.
Low and high frequency are unbalanced.	The output limiter is active.	Lower the input level or the output level to a point no higher than where the LIMIT indicator lights occasionally.

*If any specific problem should persist, however, please contact your Yamaha dealer.

Information for users on collection and disposal of old equipment:

This symbol on the products, packaging, and/or accompanying documents means that used electrical and electronic products should not be mixed with general household waste. For proper treatment, recovery and recycling of old products, please take them to applicable collection points, in accordance with your national legislation.

By disposing of these products correctly, you will help to save valuable resources and prevent any potential negative effects on human health and the environment which could otherwise arise from inappropriate waste handling.

For more information about collection and recycling of old products, please contact your local municipality, your waste disposal service or the point of sale where you purchased the items.

For business users in the European Union:

If you wish to discard electrical and electronic equipment, please contact your dealer or supplier for further information.

Information on Disposal in other Countries outside the European Union:

This symbol is only valid in the European Union. If you wish to discard these items, please contact your local authorities or dealer and ask for the correct method of disposal.

(weee_eu_en_02)

References

Specifications

General	DXR15mkII	DXR12mkII	DXR10mkII	DXR8mkII
System Type	2-way, Bi-amped Powered Speaker, Bass-reflex Type			
Frequency Range (-10dB)	49Hz – 20kHz	52Hz – 20kHz	56Hz – 20kHz	57Hz – 20kHz
Coverage Angle	H90° x V60° Constant Directivity Horn			
Crossover Type	FIR-X tuning™ (Linear Phase FIR Filter)			
Crossover Frequency	2.1kHz	2.1kHz	2.3kHz	2.4kHz
Measured Maximum SPL (peak) Pink noise@1m	134dB SPL	134dB SPL	132dB SPL	130dB SPL

Transducer		DXR15mkII	DXR12mkII	DXR10mkII	DXR8mkII
LF	Diameter	15" Cone	12" Cone	10" Cone	8" Cone
	Voice coil	2.5"	2.5"	2"	2"
	Magnet	Ferrite			
HF	Voice coil	1.75"			
	Diaphragm	PET			
	Type	1" Throat Compression Driver			
	Magnet	Neodymium			

Enclosure		DXR15mkII	DXR12mkII	DXR10mkII	DXR8mkII
Material, Finish, Color	ABS, Matte black				
Floor Monitor Angle		50° Symmetrical	50° Symmetrical	50°	–
Dimensions (WxHxD, with rubber feet)		445x700x380 mm	362x601x350 mm	305x502x310 mm	280x458x280 mm
Net Weight		21.8kg	18.6kg	13.9kg	12.8kg
Handles		Aluminium die-cast (Side x 2)		Aluminium die-cast (Top x 1)	
Pole Socket		Ø 35 mm x 2 (0° or -7°)			
Rigging Points		Top x 2, Rear x 1 (Fits for M10 x 18mm eyebolts)		Top x 2, Rear x 1 (Fits for M8 x 15mm eyebolts)	
Optional Accessories	U-bracket	UB-DXR15	UB-DXR12	UB-DXR10	UB-DXR8
	Cover	SPCVR-1501	SPCVR-1201	SPCVR-1001	SPCVR-0801

Amplifier		DXR15mkII	DXR12mkII	DXR10mkII	DXR8mkII
Amplifier Type		Class-D			
Power Rating*1	Dynamic	1100W (LF: 950W, HF: 150W)			
	Continuous	700W (LF: 600W, HF: 100W)			
Cooling		Fan cooling, 4 speeds			
AD/DA		24bit 48kHz sampling			
Signal Processing		48bit (Accumulator: 76bit)			
HPF/LPF		OFF, 100, 120Hz 24dB/oct HPF			
DSP Preset		D-CONTOUR: FOH/MAIN, MONITOR, OFF			
Connectors	Input	INPUT1: XLR3-31 type x 1, INPUT2: Phone x 2 (Unbalanced), INPUT3: RCA PIN x 2 (Unbalanced)			
	Output	THRU: XLR3-32 type x 1 (Parallel with INPUT1), LINK OUT: XLR3-32 type x 1			
Input Impedance	INPUT1	LINE: 12kΩ, MIC: 8kΩ			
	INPUT2, 3	L, R: 40kΩ, MONO: 20kΩ			
Input Sensitivity (LEVEL: Maximum)	INPUT1	LINE: +1dBu, MIC: -32dBu			
	INPUT2, 3	-13dBu			
Input Sensitivity (LEVEL: Center)	INPUT1	LINE: +11dBu, MIC: -22dBu			
	INPUT2, 3	-3dBu			

Amplifier		DXR15mkl	DXR12mkl	DXR10mkl	DXR8mkl
Maximum Input Level	INPUT1	LINE: +24dBu, MIC: +20dBu			
	INPUT2, 3	+16dBu			
Controls		LEVEL x 3, LINE/MIC, HPF, D-CONTOUR, FRONT LED DISABLE, LINK MODE, POWER			
Idle Power Consumption		35W			
1/8 Power Consumption		110W		90W	
Power Requirements		100V – 240V, 50Hz/60Hz			

0dBu is referenced to 0.775Vrms.

*1 Power rating (120V, 25°C). This is total value of individual output power.

The contents of this manual apply to the latest specifications as of the publishing date. To obtain the latest manual, access the Yamaha website then download the manual file.

Der Inhalt dieser Bedienungsanleitung gilt für die neuesten technischen Daten zum Zeitpunkt der Veröffentlichung. Um die neueste Version der Anleitung zu erhalten, rufen Sie die Website von Yamaha auf und laden Sie dann die Datei mit der Bedienungsanleitung herunter.

Le contenu de ce mode d'emploi s'applique aux dernières caractéristiques techniques connues à la date de publication du manuel. Pour obtenir la version la plus récente du manuel, accédez au site Web de Yamaha puis téléchargez le fichier du manuel concerné.

El contenido de este manual se aplica a las últimas especificaciones según la fecha de publicación. Para obtener el último manual, acceda al sitio web de Yamaha y descargue el archivo del manual.

O conteúdo deste manual se aplica às especificações mais recentes a partir da data de publicação. Para obter o manual mais recente, acesse o site da Yamaha e faça o download do arquivo do manual.

Il contenuto del presente manuale si applica alle ultime specifiche tecniche a partire dalla data di pubblicazione. Per ottenere la versione più recente del manuale, accedere al sito Web Yamaha e scaricare il file corrispondente.

В содержании данного руководства приведены последние на момент публикации технические характеристики. Для получения последней версии руководства посетите веб-сайт корпорации Yamaha и загрузите файл с руководством.

本書は、発行時点での最新仕様で説明しています。最新版は、ヤマハウェブサイトからダウンロードできます。

English

Deutsch

Français

Español

Português

Italiano

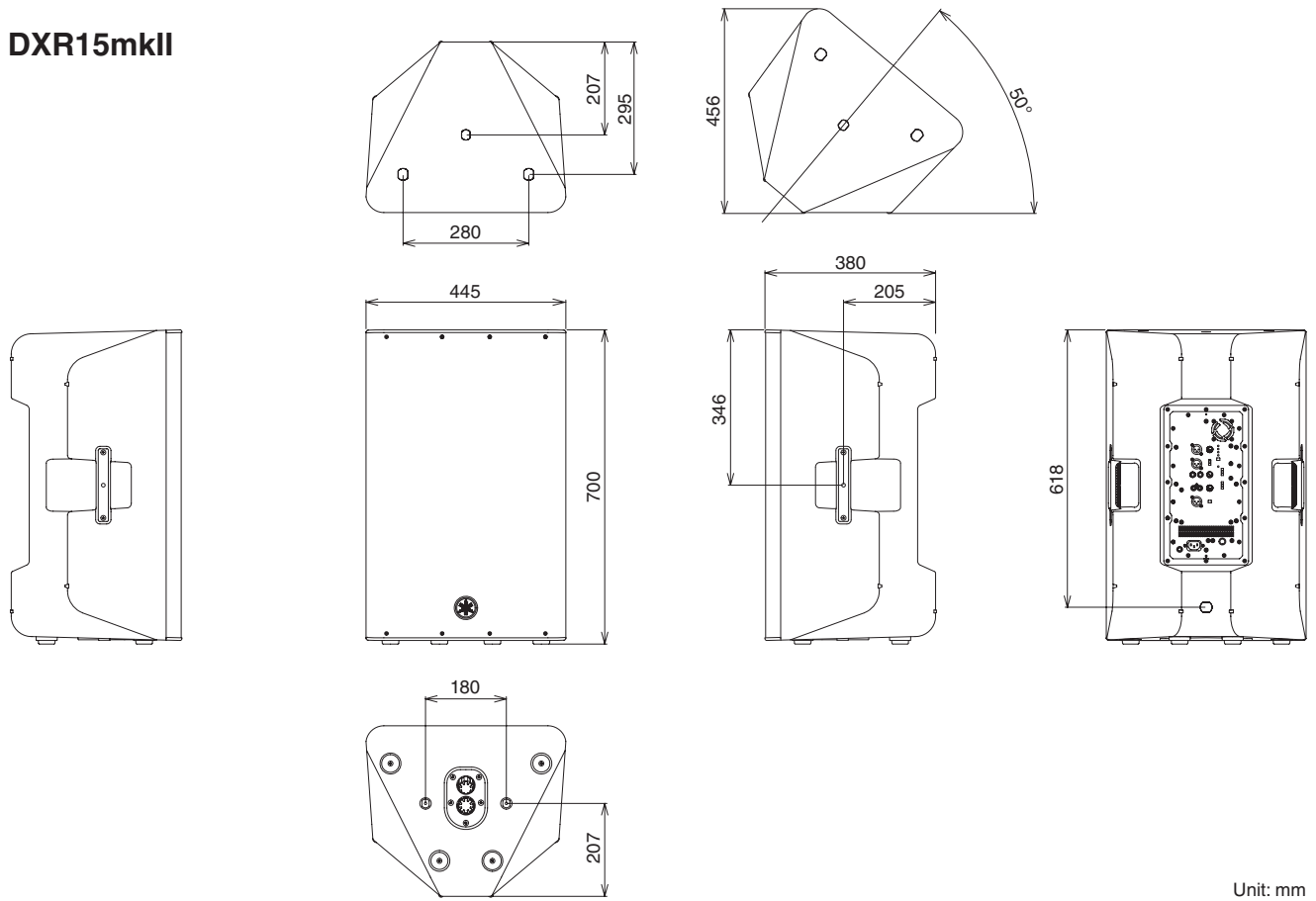
Русский

中文

日本語

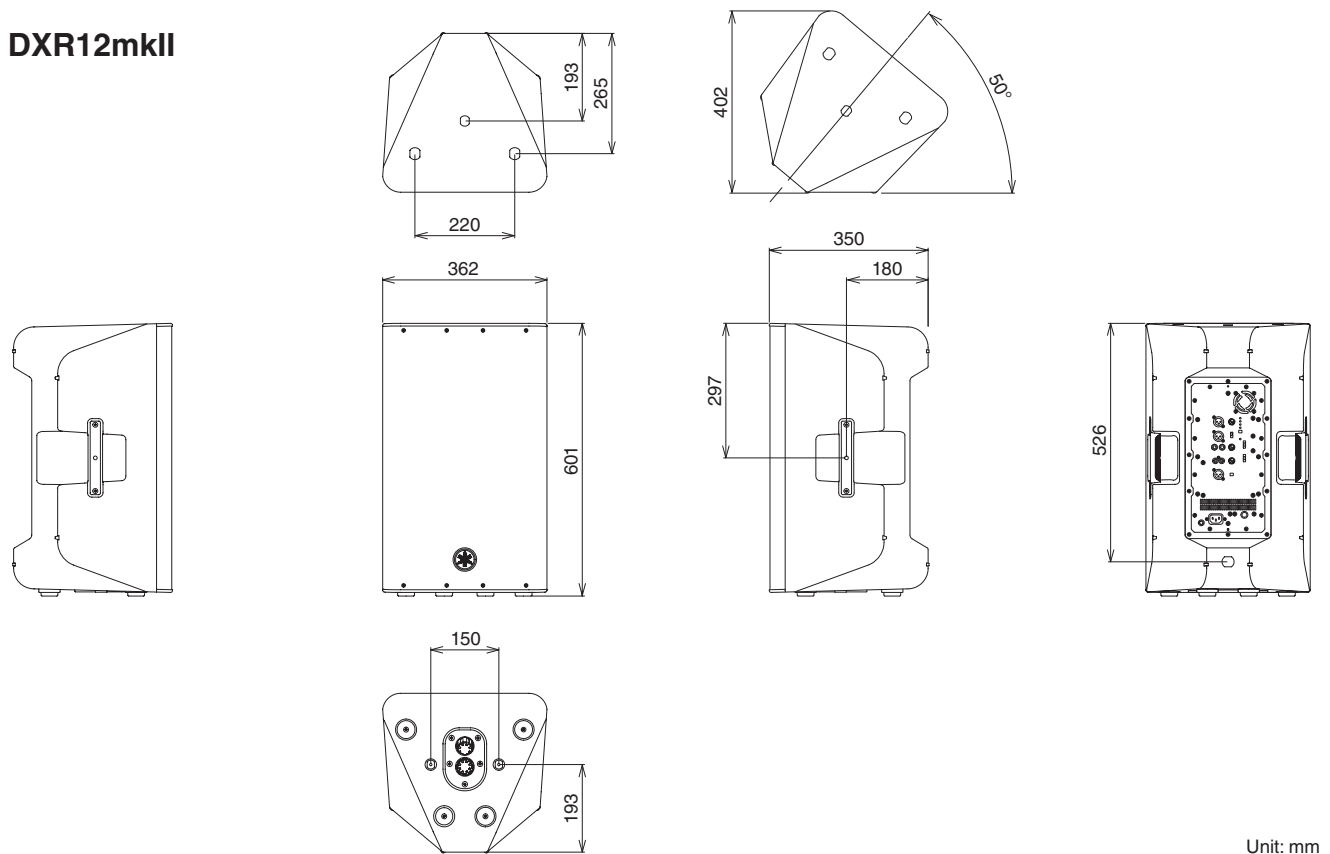
Dimensions

DXR15mkII



Unit: mm

DXR12mkII



Unit: mm

English

Deutsch

Français

Español

Português

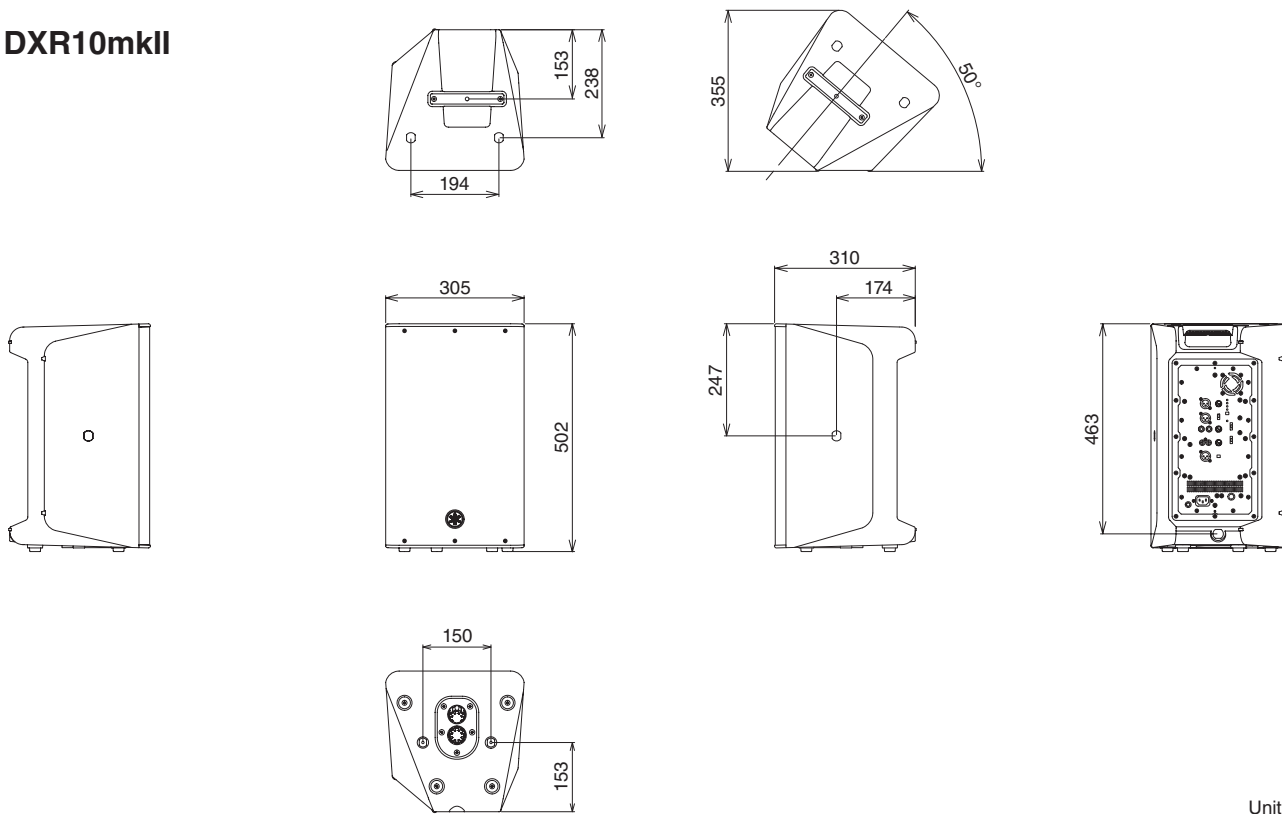
Italiano

Русский

中文

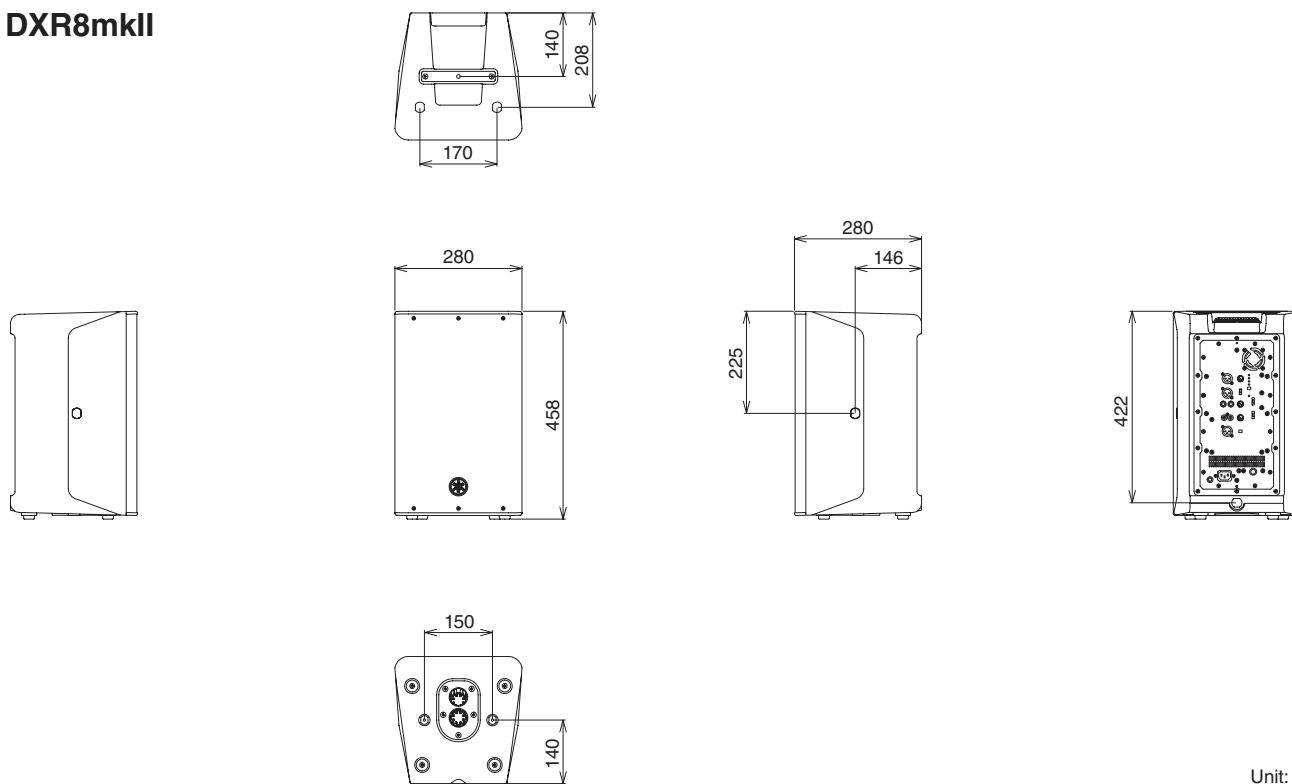
日本語

DXR10mkII



Unit: mm

DXR8mkII



Unit: mm

English

Deutsch

Français

Español

Português

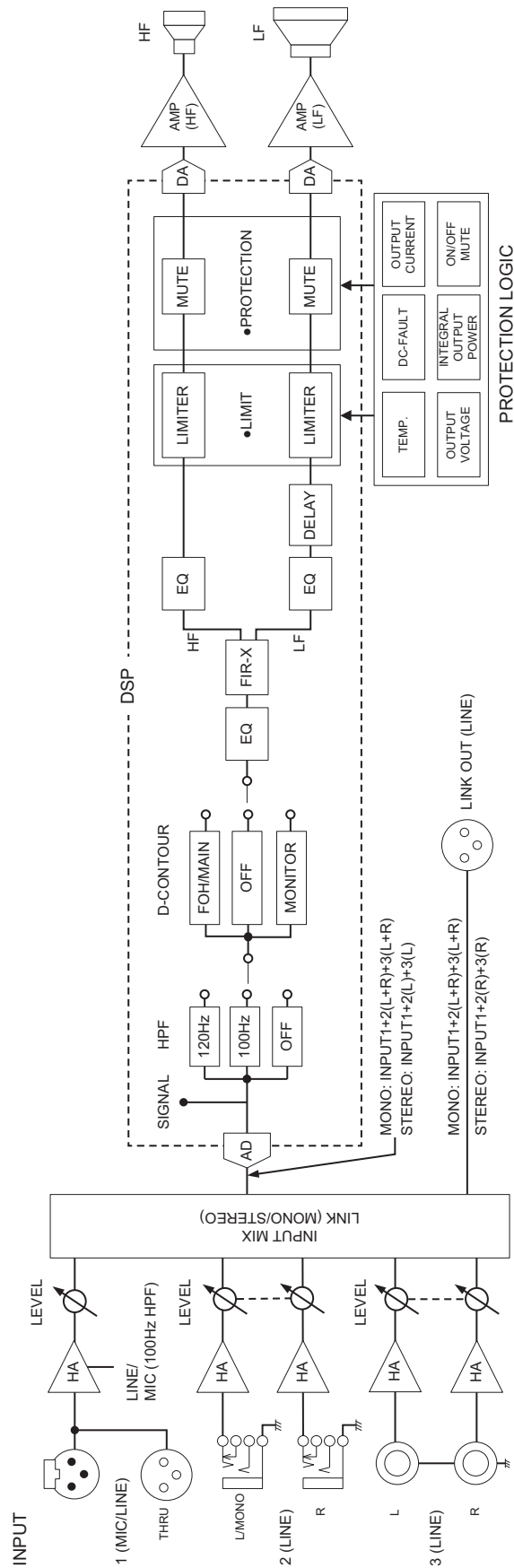
Italiano

Русский

中文

日本語

Block Diagram



- English
- Deutsch
- Français
- Español
- Português
- Italiano
- Русский
- 中文
- 日本語

Important Notice: Guarantee Information for customers in European Economic Area (EEA) and Switzerland

Important Notice: Guarantee Information for customers in EEA* and Switzerland For detailed guarantee information about this Yamaha product, and Pan-EEA* and Switzerland warranty service, please either visit the website address below (Printable file is available at our website) or contact the Yamaha representative office for your country. * EEA: European Economic Area	English
Wichtiger Hinweis: Garantie-Information für Kunden in der EWR* und der Schweiz Für nähere Garantie-Information über dieses Produkt von Yamaha, sowie über den Pan-EWR*- und Schweizer Garantieservice, besuchen Sie bitte entweder die folgend angegebene Internetadresse (eine druckfähige Version befindet sich auch auf unserer Webseite), oder wenden Sie sich an den für Ihr Land zuständigen Yamaha-Vertrieb. *EWR: Europäischer Wirtschaftsraum	Deutsch
Remarque importante: informations de garantie pour les clients de l'EEE et la Suisse Pour des informations plus détaillées sur la garantie de ce produit Yamaha et sur le service de garantie applicable dans l'ensemble de l'EEE ainsi qu'en Suisse, consultez notre site Web à l'adresse ci-dessous (le fichier imprimable est disponible sur notre site Web) ou contactez directement Yamaha dans votre pays de résidence. * EEE : Espace Economique Européen	Français
Belangrijke mededeling: Garantie-informatie voor klanten in de EER* en Zwitserland Voor gedetailleerde garantie-informatie over dit Yamaha-product en de garantieservice in heel de EER* en Zwitserland, gaat u naar de onderstaande website (u vindt een afdrukbaar bestand op onze website) of neemt u contact op met de vertegenwoordiging van Yamaha in uw land. * EER: Europese Economische Ruimte	Nederlands
Aviso importante: información sobre la garantía para los clientes del EEE* y Suiza Para una información detallada sobre este producto Yamaha y sobre el soporte de garantía en la zona EEE* y Suiza, visite la dirección web que se incluye más abajo (la versión del archivo para imprimir esta disponible en nuestro sitio web) o póngase en contacto con el representante de Yamaha en su país. * EEE: Espacio Económico Europeo	Español
Avviso importante: informazioni sulla garanzia per i clienti residenti nell'EEA* e in Svizzera Per informazioni dettagliate sulla garanzia relativa a questo prodotto Yamaha e l'assistenza in garanzia nei paesi EEA* e in Svizzera, potete consultare il sito Web all'indirizzo riportato di seguito (è disponibile il file in formato stampabile) oppure contattare l'ufficio di rappresentanza locale della Yamaha. * EEA: Area Economica Europea	Italiano
Aviso importante: informações sobre as garantias para clientes da AEE* e da Suíça Para obter uma informação pormenorizada sobre este produto da Yamaha e sobre o serviço de garantia na AEE* e na Suíça, visite o site a seguir (o arquivo para impressão está disponível no nosso site) ou entre em contato com o escritório de representação da Yamaha no seu país. * AEE: Área Económica Europeia	Português
Σημαντική σημείωση: Πληροφορίες εγγύησης για τους πελάτες στον ΕΟΧ* και Ελλάδα Για λεπτομερείς πληροφορίες εγγύησης σχετικά με το παρόν προϊόν της Yamaha και την κάλυψη εγγύησης σε όλες τις χώρες του ΕΟΧ και την Ελλάδα, επισκεφτείτε την παρακάτω ιστοσελίδα (Εκτυπίσιμη μορφή είναι διαθέσιμη στην ιστοσελίδα μας) ή απευθυνθείτε στην αντιπροσωπεία της Yamaha στη χώρα σας. * ΕΟΧ: Ευρωπαϊκός Οικονομικός Χώρος	Ελληνικά
Viktigt: Garantiinformation för kunder i EES-området* och Schweiz För detaljerad information om denna Yamahaprodukt samt garantiservice i hela EES-området* och Schweiz kan du antingen besöka nedanstående webbadress (en utskriftsvänlig fil finns på webbplatsen) eller kontakta Yamahas officiella representant i ditt land. * EES: Europeiska Ekonomiska Samarbetsområdet	Svenska
Viktig merknad: Garantiinformasjon for kunder i EØS* og Sveits Detaljert garantiinformasjon om dette Yamaha-produktet og garantiservice for hele EØS-området* og Sveits kan fås enten ved å besøke nettstedene nedenfor (utskriftsversjon finnes på våre nettsider) eller kontakte Yamahas kontoret i landet der du bor. *EØS: Det europeiske økonomiske samarbeidsområdet	Norsk
Vigtig oplysning: Garantioplysninger til kunder i EØ* og Schweiz De kan finde detaljerede garantioplysninger om dette Yamaha-produkt og den fælles garantiserviceordning for EØ* (og Schweiz) ved at besøge det websted, der er angivet nedenfor (der findes en fil, som kan udskrives, på vores websted), eller ved at kontakte Yamahas nationale repræsentationskontor i det land, hvor De bor. * EØ: Det Europæiske Økonomiske Område	Dansk
Tärkeä ilmoitus: Takuutiedot Euroopan talousalueen (ETA)* ja Sveitsin asiakkaille Tämän Yamaha-tuotteen sekä ETA-alueen ja Sveitsin takuuta koskevat yksityiskohtaiset tiedot saatte alla olevasta nettiosoitteesta. (Tulostettava tiedosto saatavissa sivustollamme.) Voititte myös ottaa yhteyttä paikalliseen Yamaha-edustajaan. *ETA: Euroopan talousalue	Suomi
Ważne: Warunki gwarancyjne obowiązujące w EOG* i Szwajcarii Aby dowiedzieć się więcej na temat warunków gwarancyjnych tego produktu firmy Yamaha i serwisu gwarancyjnego w całym EOG* i Szwajcarii, należy odwiedzić wskazaną poniżej stronę internetową (Plik gotowy do wydruku znajduje się na naszej stronie internetowej) lub skontaktować się z przedstawicielstwem firmy Yamaha w swoim kraju. * EOG — Europejski Obszar Gospodarczy	Polski
Důležité oznámení: Záruční informace pro zákazníky v EHS* a ve Švýcarsku Podrobné záruční informace o tomto produktu Yamaha a záručním servisu v celém EHS* a ve Švýcarsku naleznete na níže uvedené webové adrese (soubor k tisku je dostupný na našich webových stránkách) nebo se můžete obrátit na zastoupení firmy Yamaha ve své zemi. * EHS: Evropský hospodářský prostor	Česky
Fontos figyelemzetés: Garancia-információk az EGT* területén és Svájcban élő vásárlók számára A jelen Yamaha termékre vonatkozó részletes garancia-információk, valamint az EGT*-re és Svájcra kiterjedő garanciális szolgáltatás tekintetében keresse fel webhelyünket az alábbi címen (a webhelyen nyomtatható fájl is található), vagy pedig lépjen kapcsolatba az országában működő Yamaha képviselői irodával. * EGT: Európai Gazdasági Térség	Magyar
Oluline märkus: Garantiiteave Euroopa Majanduspiirkonna (EMP)* ja Šveitsi klientidele Täpsemat teabes saamiseks selle Yamaha toote garantii ning kogu Euroopa Majanduspiirkonna ja Šveitsi garantiiteeninduse kohta, külastage palun veebisaiti alljärgneval aadressil (meie saidil on saadaval printitav fail) või pöörduge Teie regiooni Yamaha esinduse poole. * EMP: Euroopa Majanduspiirkond	Eesti keel
Svarīgs paziņojums: garantijas informācija klientiem EEZ* un Šveicē Lai saņemtu detalizētu garantijas informāciju par šo Yamaha produktu, kā arī garantijas apkalpošanu EEZ* un Šveicē, lūdzmu, apmeklējiet zemāk norādīto tīmekļa vietnes adresi (tīmekļa vietnē ir pieejams drukājams fails) vai sazinieties ar jūsu valsti apkalpojošo Yamaha pārstāvniecību. * EEZ: Eiropas Ekonomikas zona	Latviešu
Dėmesio: informacija dėl garantijos pirkėjams EEE* ir Šveicarijoje Jei reikia išsamios informacijos apie šį „Yamaha“ produktą ir jo techninę priežiūrą visoje EEE* ir Šveicarijoje, apsilankykite mūsų svetainėje toliau nurodytu adresu (svetainėje yra spausdintinas failas) arba kreipkitės į „Yamaha“ atstovybę savo šaliai. *EEE – Europos ekonominė erdvė	Lietuvių kalba
Dôležité upozornenie: Informácie o záruke pre zákazníkov v EHP* a Švajčiarsku Podrobné informácie o záruke týkajúce sa tohto produktu od spoločnosti Yamaha a garančnom servise v EHP* a Švajčiarsku nájdete na webovej stránke uvedenej nižšie (na našej webovej stránke je k dispozícii súbor na tlač) alebo sa obráťte na zástupcu spoločnosti Yamaha vo svojej krajine. * EHP: Európsky hospodársky priestor	Slovenčina
Pomembno obvestilo: Informacije o garanciji za kupce v EGP* in Švici Za podrobnejše informacije o tem Yamahinem izdelku ter garancijskem servisu v celotnem EGP in Švici, obiščite spletno mesto, ki je navedeno spodaj (natisljiva datoteka je na voljo na našem spletnem mestu), ali se obrnite na Yamahinega predstavnika v svoji državi. * EGP: Evropski gospodarski prostor	Slovenščina
Важно съобщение: Информация за гаранцията за клиенти в ЕИП* и Швейцария За подробна информация за гаранцията за този продукт на Yamaha и гаранционното обслужване в паневропейската зона на ЕИП* и Швейцария или посетете посочения по-долу уеб сайт (на нашия уеб сайт има файл за печат), или се свържете с представителния офис на Yamaha във вашата страна. * ЕИП: Европейско икономическо пространство	Български език
Notificare importantă: Informații despre garanție pentru clienții din SEE* și Elveția Pentru informații detaliate privind acest produs Yamaha și serviciul de garanție Pan-SEE* și Elveția, vizitați site-ul la adresa de mai jos (fișierul imprimabil este disponibil pe site-ul nostru) sau contactați biroul reprezentanței Yamaha din țara dumneavoastră. * SEE: Spațiul Economic European	Limba română
Važna obavijest: Informacije o jamstvu za države EGP-a i Švicarske Za detaljne informacije o jamstvu za ovaj Yamahin proizvod te jamstvenom servisu za cijeli EGP i Švicarsku, molimo Vas da posjetite web-stranicu navedenu u nastavku ili kontaktirate ovlaštenog Yamahinog dobavljača u svojoj zemlji. * EGP: Europski gospodarski prostor	Hrvatski

<https://europe.yamaha.com/warranty/>

ADDRESS LIST

NORTH AMERICA

CANADA

Yamaha Canada Music Ltd.
135 Milner Avenue, Toronto, Ontario,
M1S 3R1, Canada
Tel: +1-416-298-1311

U.S.A.

Yamaha Corporation of America
6600 Orangethorpe Avenue, Buena Park, CA 90620,
U.S.A.
Tel: +1-714-522-9011

CENTRAL & SOUTH AMERICA

MEXICO

Yamaha de México, S.A. de C.V.
Av. Insurgentes Sur 1647 Piso 9, Col. San José
Insurgentes, Delegación Benito Juárez, México,
D.F., C.P. 03900, México
Tel: +52-55-5804-0600

BRAZIL

Yamaha Musical do Brasil Ltda.
Rua Fidêncio Ramos, 302 – Cj 52 e 54 – Torre B – Vila
Olimpia – CEP 04551-010 – São Paulo/SP, Brazil
Tel: +55-11-3704-1377

ARGENTINA

**Yamaha Music Latin America, S.A.,
Sucursal Argentina**
Olga Cossettini 1553, Piso 4 Norte,
Madero Este-C1107CEK,
Buenos Aires, Argentina
Tel: +54-11-4119-7000

PANAMA AND OTHER LATIN AMERICAN COUNTRIES/ CARIBBEAN COUNTRIES

Yamaha Music Latin America, S.A.
Edif. Torre Banco General, Piso 7, Urbanización
Marbella, Calle 47 y Aquilino de la Guardia,
Ciudad de Panamá, República de Panamá
Tel: +507-269-5311

EUROPE

THE UNITED KINGDOM/IRELAND

Yamaha Music Europe GmbH (UK)
Sherbourne Drive, Tilbrook, Milton Keynes,
MK7 8BL, U.K.
Tel: +44-1908-366700

GERMANY

Yamaha Music Europe GmbH
Siemensstrasse 22-34, 25462 Rellingen, Germany
Tel: +49-4101-303-0

SWITZERLAND/LIECHTENSTEIN

**Yamaha Music Europe GmbH, Branch
Switzerland in Thalwil**
Seestrasse 18a, 8800 Thalwil, Switzerland
Tel: +41-44-3878080

AUSTRIA/BULGARIA/ CZECH REPUBLIC/HUNGARY/ ROMANIA/SLOVAKIA/SLOVENIA

**Yamaha Music Europe GmbH
Branch Austria**
Schleiergasse 20, 1100 Wien, Austria
Tel: +43-1-60203900

POLAND

**Yamaha Music Europe GmbH
Sp.z o.o. Oddział w Polsce**
ul. Wielicka 52, 02-657 Warszawa, Poland
Tel: +48-22-880-08-88

MALTA

Olimpus Music Ltd.
Valletta Road, Mosta MST9010, Malta
Tel: +356-2133-2093

NETHERLANDS/BELGIUM/ LUXEMBOURG

Yamaha Music Europe Branch Benelux
Clarissenhof 5b, 4133 AB Vianen, The Netherlands
Tel: +31-347-358040

FRANCE

Yamaha Music Europe
7 rue Ambroise Croizat, Zone d'activités de Pariest,
77183 Croissy-Beaubourg, France
Tel: +33-1-6461-4000

ITALY

Yamaha Music Europe GmbH, Branch Italy
Via Tinelli N.67/69 20855 Gerno di Lesmo (MB),
Italy
Tel: +39-039-9065-1

SPAIN/PORTUGAL

**Yamaha Music Europe GmbH Ibérica, Sucursal
en España**
Ctra. de la Coruña km. 17,200, 28231
Las Rozas de Madrid, Spain
Tel: +34-91-639-88-88

GREECE

Philippos Nakas S.A. The Music House
19th klm. Leof. Lavriou 190 02 Peania – Attiki,
Greece
Tel: +30-210-6686168

SWEDEN/FINLAND/ICELAND

**Yamaha Music Europe GmbH Germany filial
Scandinavia**
JA Wettergrensgata 1, 400 43 Göteborg, Sweden
Tel: +46-31-89-34-00

DENMARK

**Yamaha Music Denmark,
Fillial of Yamaha Music Europe GmbH, Tyskland**
Generatorvej 8C, ST. TH., 2860 Søborg, Denmark
Tel: +45-44-92-49-00

NORWAY

**Yamaha Music Europe GmbH Germany -
Norwegian Branch**
Grini Næringspark 1, 1332 Østerås, Norway
Tel: +47-6716-7800

CYPRUS

Yamaha Music Europe GmbH
Siemensstrasse 22-34, 25462 Rellingen, Germany
Tel: +49-4101-303-0

RUSSIA

Yamaha Music (Russia) LLC.
Room 37, entrance 7, bld. 7, Kievskaya street,
Moscow, 121059, Russia
Tel: +7-495-626-5005

OTHER EUROPEAN COUNTRIES

Yamaha Music Europe GmbH
Siemensstrasse 22-34, 25462 Rellingen, Germany
Tel: +49-4101-3030

AFRICA

Yamaha Music Gulf FZE
JAFZA-16, Office 512, P.O.Box 17328,
Jebel Ali FZE, Dubai, UAE
Tel: +971-4-801-1500

MIDDLE EAST

TURKEY

**Yamaha Music Europe GmbH
Merkezi Almanya Türkiye İstanbul Şubesi**
Mor Sumbul Sokak Varyap Meridian Business
1.Blok No:1 113-114-115
Bati Atasehir Istanbul, Turkey
Tel: +90-216-275-7960

OTHER COUNTRIES

Yamaha Music Gulf FZE
JAFZA-16, Office 512, P.O.Box 17328,
Jebel Ali FZE, Dubai, UAE
Tel: +971-4-801-1500

ASIA

THE PEOPLE'S REPUBLIC OF CHINA

Yamaha Music & Electronics (China) Co.,Ltd.
2F, Yunhedasha, 1818 Xinzha-lu, Jingan-qu,
Shanghai, China
Tel: +86-400-051-7700

INDIA

Yamaha Music India Private Limited
P-401, JMD Megapolis, Sector-48, Sohna Road,
Gurgaon-122018, Haryana, India
Tel: +91-124-485-3300

INDONESIA

PT. Yamaha Musik Indonesia (Distributor)
Yamaha Music Center Bldg. Jalan Jend. Gatot
Subroto Kav. 4, Jakarta 12930, Indonesia
Tel: +62-21-520-2577

KOREA

Yamaha Music Korea Ltd.
11F, Prudential Tower, 298, Gangnam-daero,
Gangnam-gu, Seoul, 06253, Korea
Tel: +82-2-3467-3300

MALAYSIA

Yamaha Music (Malaysia) Sdn. Bhd.
No.8, Jalan Perbandaran, Kelana Jaya, 47301
Petaling Jaya, Selangor, Malaysia
Tel: +60-3-78030900

SINGAPORE

Yamaha Music (Asia) Private Limited
Block 202 Hougang Street 21, #02-00,
Singapore 530202, Singapore
Tel: +65-6740-9200

TAIWAN

Yamaha Music & Electronics Taiwan Co.,Ltd.
2F., No.1, Yuandong Rd., Banqiao Dist.,
New Taipei City 22063, Taiwan (R.O.C.)
Tel: +886-2-7741-8888

THAILAND

Siam Music Yamaha Co., Ltd.
3, 4, 15, 16th Fl., Siam Motors Building,
891/1 Rama 1 Road, Wangmai,
Pathumwan, Bangkok 10330, Thailand
Tel: +66-2215-2622

VIETNAM

Yamaha Music Vietnam Company Limited
15th Floor, Nam A Bank Tower, 201-203 Cach
Mang Thang Tam St., Ward 4, Dist.3,
Ho Chi Minh City, Vietnam
Tel: +84-8-3818-1122

OTHER ASIAN COUNTRIES

<http://asia.yamaha.com/>

OCEANIA

AUSTRALIA

Yamaha Music Australia Pty. Ltd.
Level 1, 80 Market Street, South Melbourne,
VIC 3205, Australia
Tel: +61-3-9693-5111

COUNTRIES AND TRUST

TERRITORIES IN PACIFIC OCEAN

<http://asia.yamaha.com/>