



YAMAHA NS-1000MM

Natural Sound 3-way acoustic-suspension speaker system

Thank you for selecting the Yamaha NS-1000MM speaker system.

CAUTIONS

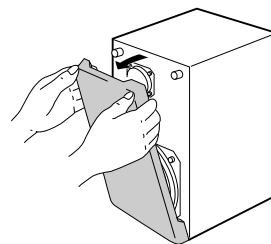
Read this before using the speakers.

- To assure the finest performance, please read this manual carefully. Keep it in a safe place for future reference.
- Install the speakers in a cool, dry, clean place – away from windows, heat sources, sources of excessive vibration, dust, moisture and cold. Avoid sources of humming (transformers, motors). To prevent fire or electric shock, do not expose the speakers to rain or water.
- To prevent the enclosure from warping or discoloring, do not place the speakers where they will be exposed to direct sunlight or excessive humidity.
- Do not place the following objects on top of the speakers:
 - Other components, as they might cause damage and/or discoloration on the surface of the speakers.
 - Burning objects (i.e. candles), as they might cause fire, damage to the speakers and/or personal injury.
 - Containers with liquid in them. If the liquid spills, it might cause electric shock to the user and/or damage to the speakers.
- Do not place the speakers where they are liable to be knocked over or struck by falling objects. Stable placement will also ensure better sound performance.
- Placing the speakers on the same shelf or rack as the turntable can result in feedback.
- Secure placement or installation is the owner's responsibility.
YAMAHA shall not be liable for any accident caused by improper placement or installation of speakers.
- Any time you note distortion, reduce the volume control on your amplifier to a lower setting. Never allow your amplifier to be driven into "clipping". Otherwise the speakers may be damaged.

- When using an amplifier with a rated output power higher than the nominal input power of the speakers, care should be taken never to exceed the speakers' maximum input.
- Do not attempt to clean the speakers with chemical solvents as this might damage the finish. Use a clean, dry cloth.
- Do not attempt to modify or fix the speakers. Contact qualified YAMAHA service personnel when any service is needed. The cabinet should never be opened for any reasons.

REMOVING THE FRONT COVER

The front cover is fastened to the enclosure at four points and can be removed if desired. To remove the cover, hold on to both sides and slowly pull straight away from the speaker. To reattach, line up the four holes on the inner surface of the cover with the four corresponding pegs on the speaker and push gently.



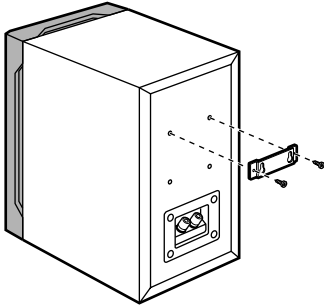
Note

When the cover is removed, be sure not to touch the speaker units with your hands or to exert excessive force with tools.

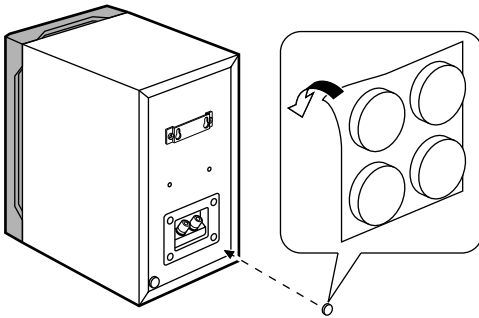
SETTING UP THE SPEAKERS

■ To mount the speakers on a wall by using the provided mounting brackets

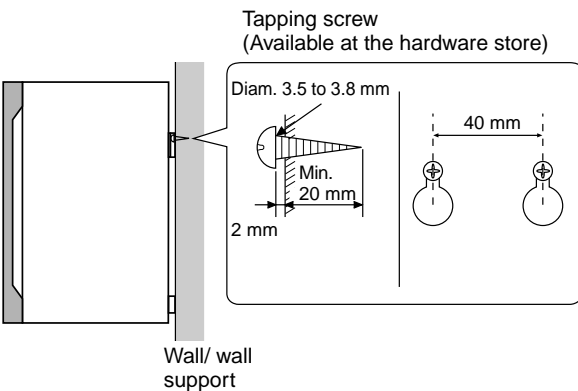
- 1 Attach the bracket to the rear of the speaker by using the provided screws.



- 2 Remove the provided pads from the backing sheet and put them at the lower corners of the speakers.



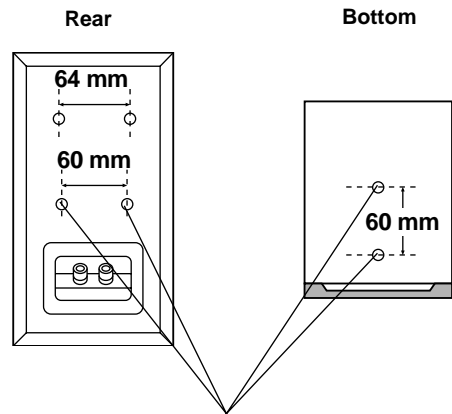
- 3 Fasten screws into a firm wall or wall support as shown in the figure, and hang the holes of the mounting bracket on the protruding screws.
* Make sure that the screws are securely caught by the narrow parts of the holes.



WARNING

- Each speaker weighs 3.0 kg (6 lbs. 10 oz.). Do not mount them on thin plywood or a wall with soft surface material. If mounted, the screws may come out of the flimsy surface and the speakers may fall. This damages the speakers or causes personal injury.
- Do not install the speakers to a wall with nails, adhesives, or any other unstable hardware. Long-term use and vibrations may cause them to fall.
- To avoid accidents resulting from tripping over loose speaker cords, fix them to the wall.

You can also use the screw holes on the rear and the bottom of the speaker for mounting the speakers on the wall or the ceiling (if you will not use the provided mounting brackets).



A screw with a diameter of 4 mm and a pitch of 0.7 mm can be used. (Depth of hole : 10mm)

CONNECTION TO YOUR AMPLIFIER

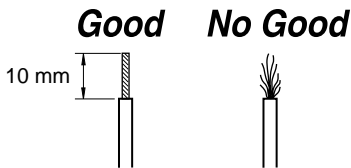
BEFORE MAKING CONNECTIONS, MAKE SURE THAT THE AMPLIFIER IS SWITCHED OFF.

■ Connections

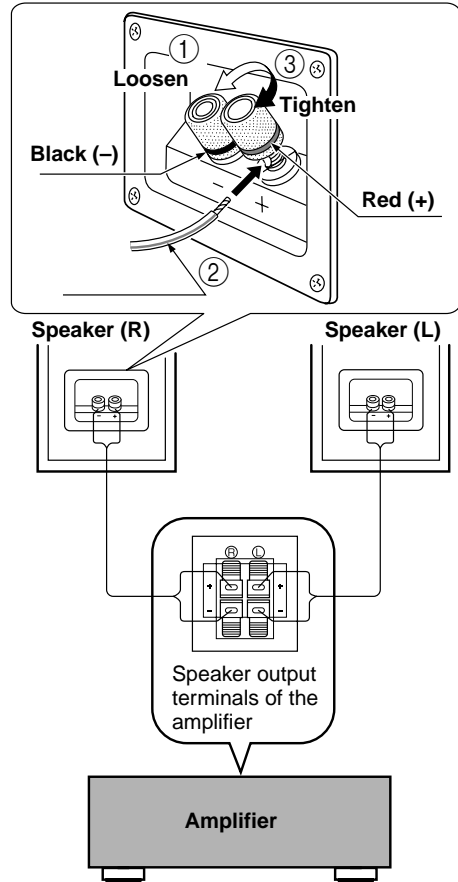
- Connect the screw-type input terminals at the rear of the speakers to the speaker output terminals of your amplifier with the provided speaker cables.
- Connect the (+) terminals on both the amplifier and the speakers using one side of the speaker cable. Connect the (-) terminals on both components using the other side of the cable.
- Connect one speaker to the left (marked L) terminals of your amplifier, and another speaker to the right (marked R) terminals, making sure not to reverse the polarity (+, -). If one speaker is connected with reversed polarity, the sound will be unnatural and lack bass.

How to Connect:

- ① Loosen the terminal knob.
- ② Insert the bare wire end properly into the terminal hole.
[Remove the insulation from both ends of the speaker cable.]



- ③ Tighten the knob and secure the cable.
Test the firmness of the connection by pulling lightly on the cable at the terminal.



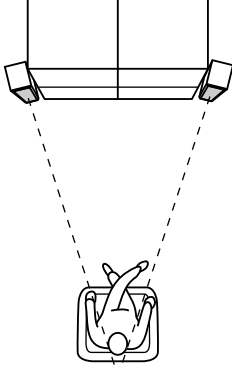
Note

Do not let the bare speaker wires touch each other as this could damage the speaker or the amplifier, or both of them.

SPECIFICATIONS

■ Placing the speakers

- Place the speakers on a sturdy, vibration-free surface or speaker stands.
- Better stereo images will be obtained when the speakers are slightly angled in towards the listeners.



Note

These speakers feature a magnetically shielded design, but there is still a chance that placing them too close to a TV set might impair picture color. Should this happen, move the speakers away from the TV set.

Type 3-way acoustic-suspension speaker system
Magnetically shielded type

Driver 12 cm (4-3/4") cone woofer
2.5 cm (1") dome mid-range
1.5 cm (9/16") dome tweeter

Nominal Impedance 6 ohms

Frequency Response 70 Hz – 24 kHz

Nominal Input Power 60W

Maximum Input Power 150W

Sensitivity 86 dB/2.83V, 1m

Dimensions (W x H x D) 150 x 275 x 180 mm
(5-7/8" x 10-13/16" x 7-1/16")

Weight 3.0 kg (6 lbs. 10 oz.) x 2

Accessories Speaker cable (10 m) x 2
Mounting bracket x 2
Screw x 4
Pad x 4

* Please note that all specifications are subject to change without notice.

* Care should be taken not to exceed the input power values noted above.