



MTX3, MTX5-D, MRX7-D, XMV Series, EXi8, EXo8 Remote Control Protocol Specifications

Version 3.2.0 rev11

Release Dec 27th, 2017

This specification document applies to MTX3, MTX5-D, MRX7-D, XMV, EXi8, and EXo8 V3.20 and later.

Table of contents

0. Revision History	4
1. Setup	8
1.1. Connection Procedure.....	8
1.2. Configuring the Remote Controller.....	9
1.3. Device Configuration.....	10
1.3.1. MTX3, MTX5-D and MRX7-D.....	10
1.3.2. XMV, EXi8 and EXo8.....	10
1.3.3. MRX7-D and Remote Control Setup List.....	10
2. Command List	11
2.1. Commands from a device sent to a remote controller.....	11
2.2. Commands for controlling a device.....	11
2.3. Extended commands.....	12
3. Command Specifications	13
3.1. Basic Command Specifications.....	13
3.2. Commands a Device Sends to a Remote Controller.....	14
3.2.1. Device status change notification.....	14
3.2.2. Parameter change notification.....	15
3.2.3. Meter information notification.....	16
3.2.4. Preset change notification.....	16
3.2.5. Snapshot change notification.....	17
3.2.6. Event processing change notification.....	17
3.3. Commands for controlling a device.....	20
3.3.1. Device status query.....	20
3.3.2. Device run mode change.....	21
3.3.3. MTX external control protocol run mode setting.....	22
3.3.4. Parameter query.....	24
3.3.5. Parameter setting.....	26
3.3.6. Meter control.....	30
3.3.7. Preset processing.....	32
3.3.8. Snapshot Recall processing.....	32
3.4. Extended commands.....	33
3.4.1. Product information query request.....	33
3.4.2. Preset processing request.....	35
3.4.3. Event processing request.....	36
3.5. Command Errors.....	50
3.5.1. Command Error Notifications.....	50
4. Command Sequence	51
4.1. Communication start sequence.....	52
4.2. Parameter sync sequence.....	54
4.3. Parameter query sequence at any given time.....	55
4.4. Meter data request/query sequence.....	56
4.5. Preset recall request sequence.....	56
4.6. Sequence when parameters are changed by another controller.....	57
5. Meter Value	58
6. Parameter Value Details	59
6.1. Fader parameter.....	59
6.1.1. Fader with "-Infinity to 0dB" range.....	59
6.1.2. Fader with "-Infinity to 10dB" range.....	61
6.2. Other parameters (MTX3, MTX5-D).....	63
6.2.1. INPUT PATCH.....	63
6.2.2. INPUT CHANNEL.....	64
6.2.2.1. 3BAND EQ.....	64
6.2.2.2. GATE.....	65
6.2.2.3. COMPRESSOR.....	67
6.2.2.4. AGC.....	68
6.2.2.5. DUGAN AUTOMIXER.....	69

6.2.3.	EFFECT	70
6.2.4.	ZONE	71
6.2.4.1.	PAGING (MTX5-D only)	71
6.2.4.2.	1st/2nd PRIORITY	72
6.2.4.3.	ANC	73
6.2.5.	ROUTER	73
6.2.5.1.	ROUTER	73
6.2.5.2.	OSCILLATOR	74
6.2.6.	OUTPUT CHANNEL	74
6.2.6.1.	4BAND EQ	74
6.2.6.2.	SPEAKER PROCESSOR	75
6.2.7.	OUTPUT PATCH	75
6.2.7.1.	OUTPUT PATCH	75
6.2.7.2.	YDIF PATCH	76
6.2.8.	MY4-AEC	77
6.2.8.1.	MY4-AEC Input Patch	77
6.2.8.2.	MY4-AEC FBS	77
6.3.	Other parameters (MRX7-D)	78
6.3.1.	Ambient Noise Compensator	78
6.3.2.	Auto Gain Control	78
6.3.3.	Combiner	78
6.3.3.1.	Room Combiner	78
6.3.3.2.	Room Combiner plus Automixer	78
6.3.4.	Dynamics	78
6.3.4.1.	Compressor	78
6.3.4.2.	Gate/Ducking	79
6.3.4.3.	Limiter	79
6.3.4.4.	Paging Ducker	79
6.3.5.	Effect	80
6.3.6.	EQ	81
6.3.6.1.	GEQ	81
6.3.6.2.	PEQ	81
6.3.7.	Filter	81
6.3.7.1.	HPF/LPF/BPF	81
6.3.8.	Mixer	81
6.3.8.1.	Dugan Automixer	81
6.3.9.	Oscillator	82
6.3.10.	Paging	82
6.3.11.	Speech Privacy	82
6.3.12.	Speaker Processor	82
6.3.13.	MY4-AEC (MTX5-D only)	82
6.3.13.1.	MY4-AEC FBS	82
7.	Parameter List	83
7.1.	MTX3/MTX5-D	83
7.2.	MRX7-D	101
7.3.	XMV Series	107
7.4.	EXi8	108
7.5.	EXo8	109
7.6.	MY4-AEC	110
7.6.1.	MTX3, MTX5-D	110
7.6.2.	MRX7-D	110
8.	Meter List	111
8.1.	MTX3/MTX5-D	111
8.2.	MRX7-D	114
8.3.	XMV Series	122
8.4.	EXi8	123
8.5.	EXo8	124

0. Revision History

Version	Date	Section	Description
V1.0.0	Sep. 1, 2013	-	Initial version
V1.0.1	Sep. 25, 2013	7	Added note (*1) to XMV "InputSelect" parameter
		7	Added *2 to XMV "ATT" and "DigitalATT"
		8	Separated Meter List of EXi8 and EXo8
V1.0.2	Jan.14, 2014	3.1	Added Heart beat command
		3.1	Added explanation for escape character
		3.2.4	Added note for "1-10) Time synchronization notification <Old format>"
		3.2.4, 3.4.3	Added time set and get commands
		3.2.4, 3.4.3	Added DST related commands
		3.3.1	Added note for "2-1) Device run mode query"
		3.3.3	Modified description text and added note for "2-9) Keepalive activation setting"
		3.4.3	Added alert event log related commands
		4	Fixed text "devstatus devmode" to "devstatus runmode" in communication start process explanation
		4	Fixed communication start process flow diagram
		6	Added parameter value detail for MY4-AEC (table 12, 13, 14)
		7	Added parameter "MYInsert 16 Channel" to Parameter List
		7	Added MY4-AEC parameters to Parameter List
		7	Amend description for parameter "Power" in XMV Parameter List
V1.0.3	May 23, 2014	3.3.1, 4	Added clarification of [devstatus runmode] command, which is necessary to establish remote control communication.
		3.3.1, 4	Added clarification of [devstatus runmode] command, which is necessary to establish remote control communication.
V1.3.0	Nov. 1, 2014	1.3.1, 1.3.2	Increased total number of remote controller devices which can simultaneously access the MTX system.
		3.1	Fixed some incorrect values in the "Normalized Value" column of the table, and in the note below the table.
		3.3.5	Added "setr" command, which allows relative inc/dec level control.
		6	Added "value to data" tables for fader parameters.
		7	Added comments in remarks column for when "setr" command is available.
V2.0.3	Aug. 25, 2015	1, 3.2.2, 3.3.4 3.3.5, 3.3.6, 6. 7, 8	Added MRX7-D
		1.3.3	Added "MRX7-D and Remote Control Setup List"
		2, 3.2.3.	Added "NOTIFY ssrecall" command
		2, 3.2.4.	Added "NOTIFY sscurrent_ex"command
		2, 3.2.4.	Added "NOTIFY ssrecall_ex" command
		2, 3.3.8.	Added "ssrecall_ex"command
		3.1.	Amended raw value examples for 400Hz and 2kHz
		3.2.2. 1-5) 3.3.4. 2-10) 3.3.4. 2-11) 3.3.5 2-13) 3.3.5 2-14) 3.3.5 2-15)	Amended "Detail"
		6	Fixed MTX5 parameter in "1.Input Patch"
		7	Fixed Category of "INPUT CHANNEL"
		7	Amended to clarify Analog Gain to "Gain"and Digital Gain to "D.Gain"
		7	Fixed "Xpos" in "MATRIX"
		7	Fixed "Uniqueld" in "OUTPUT CHANNEL" of "SPEAKER PROCESSOR"
		7	Fixed "Xpos" in "OUTPUT PORT" of "OUTPUT PORT"
7	Amended "Remarks" in "MY4-AEC"		
V2.1.0	Dec. 22, 2015	3.2.2	Added new 'Important' comment regarding Parameter change notification raw/normalised values in MRX7-D part
		7	Fixed Remark for "Channel Name" parameter in MTX3/MTX5-D part
		7	Fixed ElmNo for "ROUTER" parameter in MTX3/MTX5-D part
		7	Fixed "INPUT CHANNEL LEVEL" & "INPUT CHANNEL MUTE" parameters in MTX3/MTX5-D part
		7	Fixed "INPUT CHANNEL DCA" parameters in MTX3/MTX5-D part
		7	Fixed "MATRIX OUTPUT MASTER" parameters in MTX3/MTX5-D part
		7	Added "ZONE DCA/MUTE" parameters in MTX3/MTX5-D part
		7	Fixed Remark for "EQ/GEQ Gain" parameter in MRX7-D
		7	Added "Acoustic Echo Canceller" parameters in MRX7-D
		7	Added "Revolabs Control" parameters in MRX7-D
		7	Fixed Remark for "ChannelName" parameters in XMV series
		8	Fixed Meter Name for "OUTPUT PORT OUTPUT(SLOT)" in MTX3/MTX5-D part
8	Fixed Meter Name for "Matrix Mixer" in MRX7-D part		

Version	Date	Section	Description
V2.2.0	Jun. 21, 2016	6	Added "B/W(Q)" parameter for PEQ in MRX7-D part
		6	Added "Paging Ducker", "Effect" and "Pitch Shift FBS" parameters in MRX7-D part
		6	Added "B/W(Q)" parameter for Speaker Processor PEQ in MRX7-D part
		7	Fixed Remarks for "GAIN/HPF" of "MIC/LINE INPUT MONO CH STRIP 1-8(16)" in "INPUT CHANNEL" category in MTX3/MTX5-D part
		7	Changed parameter name "DCA Fader 8(16) Channel" to "Fader 8(16) Channel" for "INPUT CHANNEL LEVEL" in MTX3/MTX5-D part
		7	Changed parameter name "DCA Fader 6 Channel" to "Fader 6 Channel" for "INPUT CHANNEL LEVEL" in MTX3/MTX5-D part
		7	Changed parameter name "DCA Mute 6 Channel" to "Mute 6 Channel" for "INPUT CHANNEL MUTE" in MTX3/MTX5-D part
		7	Changed parameter name "DCA Fader 8 Channel" to "Fader 8 Channel" for "INPUT CHANNEL LEVEL" in MTX3/MTX5-D part
		7	Changed parameter name "DCA Mute 8 Channel" to "Mute 8 Channel" for "INPUT CHANNEL MUTE" in MTX3/MTX5-D part
		7	Added "INPUT CHANNEL DCA" and "INPUT CHANNEL MUTE" categories in MTX3/MTX5-D part
		7	Deleted duplicated "INPUT CHANNEL DCA / MUTE" parameters between "MIC/LINE INPUT MONO CH STRIP 1-8(16)" and "LINE INPUT ST/MONO CH STRIP 1L-3R" in MTX3/MTX5-D part
		7	Merged "ZONE DCA/MUTE" parameters into "ZONE" category in MTX3/MTX5-D part
		7	Added "DCA Mute 8(16) Channel" for Zone in MTX3/MTX5-D part
		7	Changed parameter name "DCA Fader 8(16) Channel" to "Fader 8(16) Channel" for "MATRIX OUTPUT MASTER" in MTX3/MTX5-D part
		7	Added "Paging Ducker" parameters for Dynamics in MRX7-D part
		7	Added "Effect" parameters in MRX7-D part
		7	Added "Notch FBS" parameters and "Pitch Shift FBS" parameters in MRX7-D part
		7	Added "Delay Matrix" parameters for Mixer in MRX7-D part
		8	Added "Paging Ducker" parameters for Dynamics in MRX7-D part
		8	Added "Delay Matrix" parameters for Mixer in MRX7-D part

Version	Date	Section	Description
V3.0.0	Feb. 24, 2017	2	Changed command category name "Preset recall processing" to "Preset processing request" in 2. Command List
		3.3.5	Added Notes in "Parameter setting" for "2-14) Normalized value parameter setting".
		3.4.2	Unified term "Snapshot (preset) list" to "Preset list".
		3.4.3 3-27) 3.4.3 3-28)	Simplified command names deleting "(for list)".
		4	Amended detail of "Normal procedure" "snapshot (preset) control" to "Snapshot or Preset" "snapshot (preset) display" to "Preset list display"
		4	Unified term "Snapshot (preset)" to "Preset".
		5	Amended "1.Level Meter, Hold Meter" to "1.Level Meter, Hold Meter, GR Meter".
		6	Changed the command number 22 and bigger number due to modification above "21.Pitch Shift FBS"
		6	Amended "Group(9 - 16 Channel)" to "Group(9 - 24 Channel)" in "23.Dugan Automixer"
		7	Improved parameter name in MTX3/MTX5-D part : "MIC/LINE INPUT MONO CH STRIP 1-8(16)" to "INPUT CH STRIP 1-8(16)" "LINE INPUT ST/MONO CH STRIP 1L-3R" to "STEREO INPUT CHANNEL STIN 1L-3R" "DIRECT INPUT MONO CH STRIP 1-8" to "DIRECT INPUT CHANNEL CH 9 - 16 (17 - 24)" "Ducking 8 Channel" to "PRIORITY DUCKER" "Router 40(48) Input 1 Output" to "PRIORITY SOURCE" "Router 40(48) Input 1 Output" to "ANC SOURCE"
		7	Merged two lines for MTX3 and MTX5-D parameters into one line for simplification in MTX3/MTX5-D part : "STIN 1L-3R 3BAND EQ" "GroupMaster" in "INPUT CHANNEL DCA" "GroupMaster" in "INPUT CHANNEL DCA MUTE" "ZONE OUT GroupMaster" "ZONE OUT MUTE GroupMaster"
		7	Moved "EFFECT" for simplification within MTX3/MTX5-D part.
		7	Added "Dugan Auto Mixer" in MTX3/MTX5-D part.
		7	Amended parameter name in MTX3/MTX5-D part : "MixBus 26(34) Input x 8(16) Output(STEREO) -> (MONO)" to "MATRIX (ZONE OUT MONO) 26(34) Input x 8(16) Output" for "MATRIX" "MixBus 26(34) Input x 8(16) Output (MONO) -> (STEREO) -> "MATRIX (ZONE OUT STEREO) 26(34) Input x 8(16) Output" for "MATRIX"
		7	Added notes about parameters in MTX3/MTX5-D part : "MATRIX(MONO) 26(34) Input x 8(16) Output" in "MATRIX" "MATRIX(STEREO) 26(34) Input x 8(16) Output" in "MATRIX"
		7	Amended parameter name "Matrix Mixer 22(30) Input 2 Output" to "Matrix Mixer 22(30) Input 4 Output" in MTX3/MTX5-D part.
		7	Combined "2nd PRIORITY DUCKER", "1st PRIORITY DUCKER", "ANC" and "SOURCE SELECT" for simplification in MTX3/MTX5-D part.
		7	Added remarks for "Dugan Auto Mixer" in MRX7-D part.
		7	Fixed remarks for "DigitalInputSensitivity" in XMV part.
		8	Amended remarks in MTX3/MTX5-D part.
		8	Fixed UniqueId "20004" to "20024" for "INPUT(YDIF)" in MTX3/MTX5-D part.
		8	Added "Dugan Auto Mixer" in MTX3/MTX5-D part.
		8	Added variation "40 OUT", "48 OUT" and "56 OUT" for "Matrix Mixer" in MRX7-D part.
		8	Fixed Meter Name for "Speaker Processor" in MRX7-D part.
		8	Added meter Type "gr" for "Speaker Processor" in MRX7-D part.
		8	Added channel number in MRX7-D part : "Room Combiner plus Auto Mixer (Mic 17 - 24 Channel)" "Dugan Automixer 17 - 24 Channel"

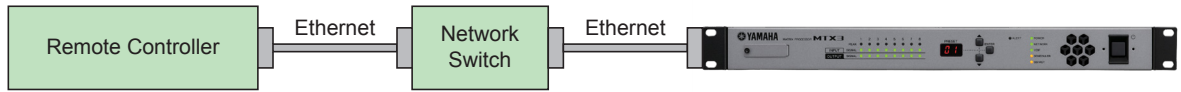
Version	Date	Section	Description	
V3.1.0	Jun.19, 2017		Added Table of contents.	
		2,3,4,6,7,8	Rearranged format of section number and renumbering.	
		2.1. 1-7) 1-8) 1-10)	Modified "Notification detail" and "Request details".	
		2.2. 2-5) 2-19)		
		2.3. 3-10) 3-11) 3-27) 3-28) 3-31)		
		2.3. 3-31) 3-32)		Added description in Remarks.
		3.2.3 3.2.4 3.2.5 3.2.5 1-10) 3.2.6 3.3.2 3.3.2 2-5) 3.3.5 2-16) 3.3.7 3.3.8 2-21) 3.4.3 3-10) 3-11)		Unified titles in command list of "2. Command List" and section names in command detail of "3. Command Specifications"
		3.3.6 2-17) 2-18)	Corrected references information in "Details:".	
		3.4.3 3-16) 3-18) 3-20) 3-22) 3-24)	Added "Details:" for command options.	
		3.4.3 3-28) : 3-32) 3-38) 3-41) 3-42)	Added "Notes:" for command option and detail.	
		3.4.3 3-16) 3-31) 3-32)	"Added commands "Details:".	
		3.4.3 3-28)	Added command "option2" example.	
		3.4.3 3-27) 3-28) 3-31) 3-32) 3-37) 3-38)	Amended description in "Details:" and "Example".	
		6	Deleted "14. MY4-AEC Digital I/O SRC" parameters in MTX3/MTX5-D part.	
		6	Rearranged tables according to the order of "7.Parameter List".	
		7	Added "PAGING","OSCILLATOR" and "PILOT TONE" parameters in MTX3/MTX5-D part.	
		7	Added "Paging" parameters in MRX7-D part.	
		7	Changed maximum value of "Utility/InputSelect" parameter in XMV part.	
		7	Added "ChUtility/InputSelect" parameter in XMV part.	
		7	Added "Note(*3)" for "Utility/InputSelect","ChUtility/InputSelect" parameters in XMV part.	
7	Amended Block Diagram in XMV part.			
V3.2.0	Dec. 27, 2017	7	Added "MATRIX OUT" parameters in MTX3/MTX5-D part.	
		7	Changed Parameter Name in MTX3/MTX5-D part. "MATRIX OUTPUT MASTER" -> "ZONE OUTPUT MASTER"	
		7	Added "Audio Detector" parameters in MTX3/MTX5-D part.	
		8	Added "MATRIX OUT" in MTX3/MTX5-D part.	

1. Setup

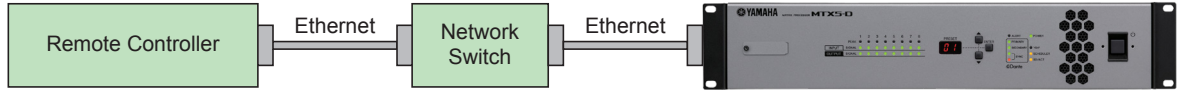
1.1. Connection Procedure

Connection when using the NETWORK connector to perform remote control using this protocol

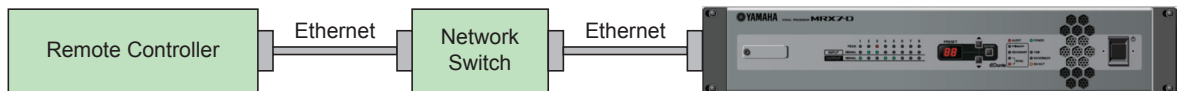
MTX3



MTX5-D



MRX7-D

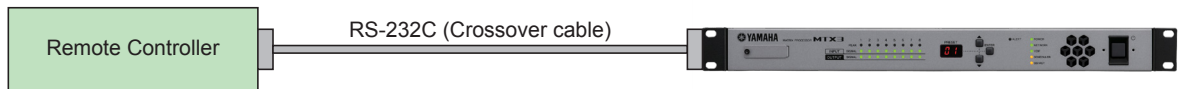


* Also for XMV, EXi8 and EXo8.

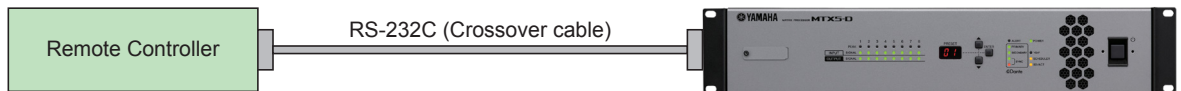
XMV can be controlled with the protocol in this document without MTX3, MTX5-D or MRX7-D.

Connection when using the REMOTE connector to perform remote control using this protocol

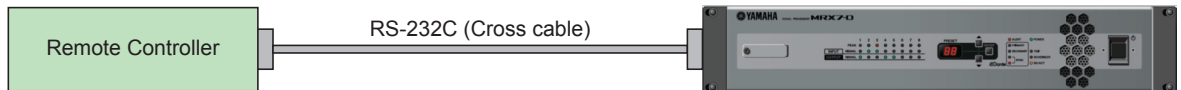
MTX3



MTX5-D



MRX7-D



* XMV, EXi8 and EXo8 do not have REMOTE connectors

1.2. Configuring the Remote Controller

MTX3, MTX5-D and MRX7-D can be controlled from an external controller through the Ethernet (NETWORK) connector and RS-232C (REMOTE) connector.

XMV, EXi8 and EXo8 can be controlled from an external controller through the Ethernet (NETWORK) connector.

The configuration on the remote controller side for each type of connection is shown below.

Ethernet (NETWORK connector) control

IP Address: Specify the IP address of the device you want to control.

IP Port No.: 49280

RS-232C (REMOTE connector) control

Bit Rate: The specified bit rate.

Data: 8 bits

Parity: none

Stop bit: 1 bit

Flow Control : none

RS-232C port pin assignment

Pin	Name	In/Out	Pin	Name	In/Out
1	NC	-	6	DSR	In
2	RxD	In	7	RTS	Out
3	TxD	Out	8	CTS	In
4	DTR	Out	9	NC	-
5	GND	-			

* Pin 4 and Pin 6 are connected internally.

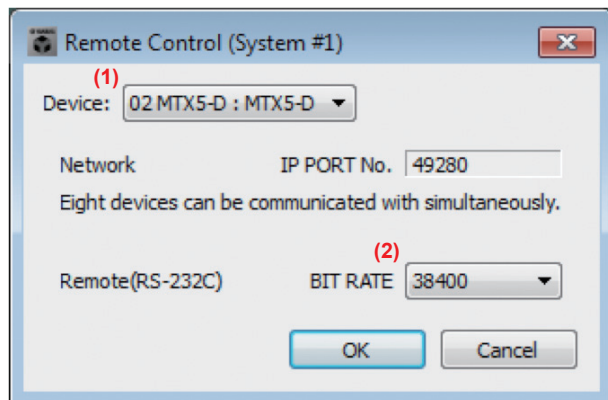
* Pin 7 and Pin 8 are connected internally.

1.3. Device Configuration

1.3.1. MTX3, MTX5-D and MRX7-D

MTX3, MTX5-D and MRX7-D can be controlled from an external controller through a NETWORK and RS-232C connector. Up to nine remote controller devices can connect simultaneously to one MTX or MRX device, eight via the NETWORK connector and one via the RS232 connector.

The procedure to configure the second control port of MTX3, MTX5-D and MRX7-D is shown below, this is found in MTX-MRX Editor - System Menu- > Remote control.



(1) Select an MTX or MRX within the MTX/MRX system.

(2) Select BIT RATE of 38400 or 115200 for RS-232C control.

After selecting all the parameters, click OK to complete the procedure.

* In the case of the MTX5-D NETWORK remote control connection, either network connector (Primary or Secondary) can be used when DANTE Daisy Chain mode is selected.

If using DANTE Redundant mode, only the Primary network connection and/or RS-232C connection can be used for remote control.

1.3.2. XMV, EXi8 and EXo8

XMV, EXi8 and EXo8 can be controlled via an external device through a NETWORK connector.

Up to eight remote controller devices can connect simultaneously.

As remote control of XMV, EXi8 and EXo8 is performed via the NETWORK connector only, there is no requirement to configure the port using MTX-MRX Editor for remote control.

When XMV, EXi8 and EXo8 are connected and controlled from MTX3, MTX5-D or MRX7-D, up to seven remote controller devices can be used for these devices.

1.3.3. MRX7-D and Remote Control Setup List

Remote Parameter control for MRX7-D is managed via the Remote Control Setup List. This list must first be created in MTX-MRX Editor in order to specify which Parameters can be controlled from an external remote controller. This list will be uploaded to MRX7-D during Synchronisation.

2. Command List

2.1. Commands from a device sent to a remote controller

No.		Notification details	Reply from device	Remarks
1-1	Device status change notification	Device run mode notification	NOTIFY devstatus runmode ...	"emergency" is invalid on the XMV, EXi8 and EXo8.
1-2		Device error status notification	NOTIFY devstatus error ...	
1-3		Current Fs (sampling frequency) setting notification	NOTIFY devstatus fs ...	
1-4		Current word clock status notification	NOTIFY devstatus lockstatus ...	
1-5	Parameter change notification	Parameter change notification raw value	NOTIFY set ...	
1-6		Parameter change notification normalized value	NOTIFY setn ...	
1-7	Meter information notification	Scheduler on/off change notification	NOTIFY set(setn) MTX:EvtScd_On ...	
1-7	Meter information notification	Meter information notification	NOTIFY mtr ...	
1-8	Preset change notification	Current Preset number change notification	NOTIFY sscurrent ...	
1-9		Preset recall start notification	NOTIFY ssrecall ...	
1-10	Snapshot change notification	Current Snapshot number change notification	NOTIFY sscurrent_ex ...	This command is available only for MRX7-D
1-11		Snapshot recall start notification	NOTIFY ssrecall_ex ...	This command is available only for MRX7-D
1-12	Event processing change notification	Media insertion notification	NOTIFY event MTX:Media ...	This command is invalid on the XMV, EXi8 and EXo8.
1-13		Time synchronization notification <old format>	NOTIFY event MTX:AbsoluteTime ...	This command is invalid on the EXi8 and EXo8.
1-14		Time synchronization notification <new format>	NOTIFY event MTX:SetAbsoluteTime...	This command is invalid on the EXi8 and EXo8.
1-15		DST enable change notification	NOTIFY event MTX:DSTSetEnable...	This command is invalid on the XMV, EXi8 and EXo8.
1-16		DST offset time change notification	NOTIFY event MTX:DSTSetOffset...	This command is invalid on the XMV, EXi8 and EXo8.
1-17		DST start time change notification	NOTIFY event MTX:DSTSetStartTime...	This command is invalid on the XMV, EXi8 and EXo8.
1-18		DST end time change notification	NOTIFY event MTX:DSTSetEndTime...	This command is invalid on the XMV, EXi8 and EXo8.
1-19		DST start/end day change notification (day/week)	NOTIFY event MTX:DSTSetDayWeek...	This command is invalid on the XMV, EXi8 and EXo8.
1-20		DST start/end day change notification (day)	NOTIFY event MTX:DSTSetDay...	This command is invalid on the XMV, EXi8 and EXo8.
1-21		Song play mode notification	NOTIFY event MTX:AudioPlayerSetPlayMode ...	This command is invalid on the XMV, EXi8 and EXo8.
1-22		Play, stop, and other transport operation notification	NOTIFY event MTX:AudioPlayerTransport ...	This command is invalid on the XMV, EXi8 and EXo8.
1-23		Playback song notification	NOTIFY event MTX:AudioPlayerSetCurrentSong ...	This command is invalid on the XMV, EXi8 and EXo8.
1-24		MTX Editor synchronization processing notification	NOTIFY event MTX:SynchronizationSetStatus ...	This command is invalid on the XMV, EXi8 and EXo8.

2.2. Commands for controlling a device

No.		Request details	Command string	Remarks
2-1	Device status query	Device run mode query	devstatus runmode	"emergency" is invalid on the XMV, EXi8 and EXo8.
2-2		Device error status query	devstatus error	
2-3		Current Fs (sampling frequency) status query	devstatus fs	
2-4		Current word clock status query	devstatus lockstatus	
2-5	Device run mode change	Device run mode change	devmode normal devmode emergency	"emergency" is invalid on the XMV, EXi8 and EXo8.
2-6	MTX external control protocol run mode setting	Result and change notification character encoding setting	scpmode encoding ...	
2-7		Value notification mode setting	scpmode valuetype ...	
2-8		Normalization resolution setting	scpmode resolution ...	
2-9		Keepalive activation setting	scpmode keepalive ...	
2-10	Parameter query	Raw value parameter query	get ...	
2-11		Normalized value parameter query	getn ...	
2-12		Scheduler status notification	get(getn,gett) MTX:EvtScd_On ...	This command is invalid on the XMV, EXi8 and EXo8.
2-13	Parameter setting	Raw value parameter setting	set ...	
2-14		Normalized value parameter setting (*)	setn ...	
2-15		Relative value parameter setting (INC/DEC level control)	setr...	
2-16		Scheduler setting	set(setn,sett) MTX:EvtScd_On ...	This command is invalid on the XMV, EXi8 and EXo8.
2-17	Meter control	Transmission request	mtrstart ...	
2-18		Stop request	mtrstop ...	
2-19	Preset processing	Preset current number query processing	sscurren ...	This command is invalid on the XMV, EXi8 and EXo8.
2-20		Preset recall processing	ssrecall ...	This command is invalid on the XMV, EXi8 and EXo8.
2-21	Snapshot processing	Snapshot recall processing	ssrecall_ex ...	This command is available only for MRX7-D

* When value is set "1023" (default:1000), control resolution becomes same as "Raw value" command.
See "6.1. Fader parameter" for the "Normalised value" vs "Raw value" when the value is set "1023"

2.3. Extended commands

No.	Request details	Command string	Remarks	
3-1	Product information query request	MTX external control protocol version query	devinfo protocolver ...	
3-2		Parameter set version query	devinfo paramsetver ...	
3-3		Firmware version query	devinfo version ...	
3-4		Product name query	devinfo productname ...	
3-5		Serial number query	devinfo serialno ...	
3-6		Device ID query	devinfo deviceid ...	
3-7		Device name query	devinfo devicename ...	
3-8	Preset processing request	Number of Preset lists	ssnum ...	This command is invalid on the XMV, EXi8 and EXo8.
3-9		Nth preset information	ssinfo ...	This command is invalid on the XMV, EXi8 and EXo8.
3-10	Event processing request	Time synchronization <Old format>	event MTX:AbsoluteTime ...	This command is invalid on the EXi8 and EXo8.
3-11		Time synchronization <New format>	event MTX:SetAbsoluteTime ...	This command is invalid on the EXi8 and EXo8.
3-12		Time query	event MTX:GetAbsoluteTime ...	This command is invalid on the EXi8 and EXo8.
3-13		DST enable/disable setting	event MTX:DSTSetEnable...	This command is invalid on the XMV, EXi8 and EXo8.
3-14		DST enable/disable query	event MTX:DSTGetEnable...	This command is invalid on the XMV, EXi8 and EXo8.
3-15		DST status query	event MTX:DSTGetStatus...	This command is invalid on the XMV, EXi8 and EXo8.
3-16		DST offset time setting	event MTX:DSTSetOffset...	This command is invalid on the XMV, EXi8 and EXo8.
3-17		DST offset time query	event MTX:DSTGetOffset...	This command is invalid on the XMV, EXi8 and EXo8.
3-18		DST start time setting	event MTX:DSTSetStartTime...	This command is invalid on the XMV, EXi8 and EXo8.
3-19		DST start time query	event MTX:DSTGetStartTime...	This command is invalid on the XMV, EXi8 and EXo8.
3-20		DST end time setting	event MTX:DSTSetEndTime...	This command is invalid on the XMV, EXi8 and EXo8.
3-21		DST end time query	event MTX:DSTGetEndTime...	This command is invalid on the XMV, EXi8 and EXo8.
3-22		DST start/end day setting (day/week)	event MTX:DSTSetDayWeek...	This command is invalid on the XMV, EXi8 and EXo8.
3-23		DST start/end day query (day/week)	event MTX:DSTGetDayWeek...	This command is invalid on the XMV, EXi8 and EXo8.
3-24		DST start/end day setting (day)	event MTX:DSTSetDay...	This command is invalid on the XMV, EXi8 and EXo8.
3-25		DST start/end day query (day)	event MTX:DSTGetDay...	This command is invalid on the XMV, EXi8 and EXo8.
3-26		DST start/end day setting query	event MTX:DSTGetDaySetting...	This command is invalid on the XMV, EXi8 and EXo8.
3-27		Current folder information query	event MTX:AudioPlayerGetCurrentDir ...	This command is invalid on the XMV, EXi8 and EXo8.
3-28		Current folder move query	event MTX:AudioPlayerSetCurrentDir ...	This command is invalid on the XMV, EXi8 and EXo8.
3-29		Folder name query	event MTX:AudioPlayerGetDirName ...	This command is invalid on the XMV, EXi8 and EXo8.
3-30		File name query	event MTX:AudioPlayerGetFileName ...	This command is invalid on the XMV, EXi8 and EXo8.
3-31		Folder name list query	event MTX:AudioPlayerGetDirNameList ...	This command is invalid on the XMV, EXi8 and EXo8.
3-32		File name list query	event MTX:AudioPlayerGetFileNameList ...	This command is invalid on the XMV, EXi8 and EXo8.
3-33		Song play mode query	event MTX:AudioPlayerGetPlayMode ...	This command is invalid on the XMV, EXi8 and EXo8.
3-34		Song play mode setting	event MTX:AudioPlayerSetPlayMode ...	This command is invalid on the XMV, EXi8 and EXo8.
3-35		Song playback status query	event MTX:AudioPlayerGetStatus ...	This command is invalid on the XMV, EXi8 and EXo8.
3-36		Play, stop, and other transport operation	event MTX:AudioPlayerTransport ...	This command is invalid on the XMV, EXi8 and EXo8.
3-37	Currently playing or selected song information query	event MTX:AudioPlayerGetCurrentSong ...	This command is invalid on the XMV, EXi8 and EXo8.	
3-38	Playback song designation	event MTX:AudioPlayerSetCurrentSong ...	This command is invalid on the XMV, EXi8 and EXo8.	
3-39	MTX Editor synchronization processing query	event MTX:SynchronizationGetStatus ...	This command is invalid on the XMV, EXi8 and EXo8.	
3-40	Number of alert event log query	event MTX:EventLogGetLogNumber...		
3-41	Alert event log query	event MTX:EventLogGetLog...		
3-42	Query for alert event log as list	event MTX:EventLogGetLogList...		
3-43	Clear alert event log	event MTX:EventLogClear...		

3. Command Specifications

3.1. Basic Command Specifications

Below is the syntax of commands exchanged between a device and remote controller.

<command name> <option 1> <option 2> . . . <option n> <new line>

- Each command must end with LF (0x0A).
- LF (0x0A) code can be sent as heart-beat command.
Refer to section 3.3.3: "2-9) Keepalive activation setting" for description of run mode setting, which describes the use of this heart-beat command.
- Character type letter(s) in command line must be bracketed by double quotations.
When double quotation itself needs to be included in command line, use "escape character" as shown below.

Backslash works as an escape character to express following one character for double quotation and backslash.

Syntax	Meaning	Description
\\	\	backslash
\"	"	double quotation

- At least one space is necessary between a command name and an option and between options.
- Commands must be expressed using ASCII characters. Other characters are not allowed.
- Option strings that express parameter values are shown below.

Value	Displayed string	Raw value	Normalized value
-Infinity	"-INFINITY"	-13801	0
-18dB	"-18.00"	-1800	453
-6.5dB	"-6.50"	-650	677
0dB	"0.00"	0	804
10dB	"10.00"	1000	1000
2kHz	"2.00k"	2000000	667
400Hz	"400"	400000	435
Pan L 63	"L63"	-63	0
Pan Center	"C"	0	500
Pan R 63	"R63"	+63	1000
ON	"ON"	0	500
		1	1000
OFF	"OFF"	0	0
		1	1000
INVERTED	"INVERTED"	1	1000
NORMAL	"NORMAL"	0	0

* For other parameters, see section 6, "Parameter Value Details," provided later.

* Normalized value is a converted value when minimum value of the parameter is as 0 and maximum value of the parameter is as 1000^{*1}.
Example: -inf as minimum mapped 0, 10dB as maximum mapped 1000, 0dB mapped 804 for level parameter.

^{*1}: This value is set by 2-8) Normalization resolution setting, default resolution is 1000.

3.2. Commands a Device Sends to a Remote Controller

3.2.1. Device status change notification

1-1) Device run mode notification

Command	Option 1	Option 2	Description
NOTIFY devstatus	runmode	"emergency"	Emergency run mode
		"update"	Update mode
		"normal"	Normal run mode

Example: Notification: NOTIFY devstatus runmode "normal"
 Meaning: The run mode was changed to normal mode.

1-2) Device error status notification

Command	Option 1	Option 2	Description
NOTIFY devstatus	error	"flt/xxxx"	Alert fault information
		"err/xxxx"	Alert error information
		"wrn/xxxx"	Alert warning information

Details:

- "flt/xxxx" = "**flt**/message// xnnn onf (sssss) **ID-xxx** 2012/12/31 23:59:59"
- "err/xxxx" = "**err**/message// xnnn onf (sssss) **ID-xxx** 2012/12/31 23:59:59"
- "wrn/xxxx" = "**wrn**/message// xnnn onf (sssss) **ID-xxx** 2012/12/31 23:59:59"

The first three characters indicate the alert type.

message = Alert message (The section from "/" to "/" after the alert type is the message data.)
 . . . up to 32 characters (ascii characters)

nnn = Alert number (panel display number)
 . . . 2 or 3 digit hexadecimal notation (The x at the front indicates hexadecimal notation.)

onf = Alert on/off
 . . . Persistent alerts turn on when an alert condition occurs and turn off when they are cleared.
 Single-shot alerts turn on while an alert condition is true.

sssss = Identical alert count (a counter that indicates the number of identical alerts, normally set to 1)
 . . . Decimal notation

xxx = UNIT ID number . . . 3-digit hexadecimal
 Date
 Time

Example: Notification: NOTIFY devstatus error "err/DCP[0] communication error// x53 on (1) ID-001 2013/1/22 11:38:23"
 Meaning: Error alert 53 occurred.

1-3) Current Fs (sampling frequency) setting notification

Command	Option 1	Option 2	Description
NOTIFY devstatus	fs	"unknown"	Fs undefined
		44.1kHz	44.1kHz
		"48kHz"	48kHz

Example: Notification: NOTIFY devstatus fs "44.1kHz"
 Meaning: Fs was changed to 44.1 kHz.

1-4) Current word clock status notification

Command	Option 1	Option 2	Description
NOTIFY devstatus	lockstatus	"unlock"	Unlock
		"lock"	Lock

Example: Notification: NOTIFY devstatus lockstatus "lock"
 Meaning: Word clock was locked.

3.2.2. Parameter change notification

1-5) Parameter change notification raw value

Parameter change notification normalized value

MTX3,MTX5-D,XMV,EXi8,EXo8

Command	Option 1	Option 2	Option 3	Option 4	Option 5	Description
NOTIFY set	MTX:mem_MemNo/UniqueId/ElmNo/Xpos/Ypos/ PrmNo/IndexNo	0	0	"(value)"	"(string)"	Parameter change raw value
NOTIFY setn	MTX:mem_MemNo/UniqueId/ElmNo/Xpos/Ypos/ PrmNo/IndexNo	0	0	"(value)"	"(string)"	Parameter change normalized value

Details:

- MemNo* = See section 7, "Parameter List."
- UniqueId* = See section 7, "Parameter List."
- ElmNo* = See section 7, "Parameter List."
- Xpos* = See section 7, "Parameter List."
- Ypos* = See section 7, "Parameter List."
- PrmNo* = See section 7, "Parameter List."
- IndexNo* = See section 7, "Parameter List."
- "(value)" = See section 3.1, "Basic Command Specifications," or section 7, "Parameter List."
- "(string)" = See section 3.1, "Basic Command Specifications," or section 7, "Parameter List."

Example: Notification: NOTIFY set MTX:mem_512/60000/0/0/0/0 0 0 -7760 "-77.60"
 Meaning: DCA Fader 1ch level was changed to "-77.60."

MRX7-D

Command	Option 1	Option 2	Option 3	Option 4	Option 5	Description
NOTIFY set	MTX:Index_IndexNo	0	0	"(value)"	"(string)"	Parameter change raw value
NOTIFY setn	MTX:Index_IndexNo	0	0	"(value)"	"(string)"	Parameter change normalized value

Details:

- IndexNo* = Index number assigned in Remote Control Setup List
- "(value)" = See section 3.1, "Basic Command Specifications," or section 7, "Parameter List."
- "(string)" = See section 3.1, "Basic Command Specifications," or section 7, "Parameter List."

Example: Notification: NOTIFY set MTX:Index_1 0 0 -7760 "-77.60"
 (V2.02 or earlier NOTIFY set MTX:Index_001 0 0 -7760 "-77.60")
 Meaning: Level of the parameter assigned to Index 1 in Remote Control List was changed to "-77.60".

Important: If a parameter is assigned to multiple Index numbers in the Remote Control Setup List, Notification is only provided to the lowest assigned Index number.

1-6) Scheduler on/off change notification

Command	Option 1	Option 2	Option 3	Option 4	Option 5	Description
NOTIFY set(setn)	MTX:EvntScd_On	0	0	1	"1"	Scheduler on
				0	"0"	Scheduler off

* For setn, option 4 is expressed using a normalized value.

Example: Notification: NOTIFY set MTX:EvntScd_On 0 0 1 "1"
 Meaning: The scheduler was turned on.

3.2.3. Meter information notification

1-7) Meter information notification

MTX3,MTX5-D,XMV,EXi8,EXo8

Command	Option 1	Option 2	Option 3	Description
NOTIFY mtr	MTX:mtr_MemNo/Uniqueld/meter	level	(meter)	Level meter value
		gr		gr meter value

Details: *MemNo* = See section 8, "Meters."
 Uniqueld = See section 8, "Meters."
 (meter) = See section 5, "Meter Values."

Example: Notification: NOTIFY mtr MTX:mtr_512/20020/meter level 71 71 71 71 71 71 69 68
 * The meter value is expressed using a 2-digit hexadecimal.
 Meaning: Output levels for ch1 to 8 Level are sent.

MRX7-D

Command	Option 1	Option 2	Option 3	Description
NOTIFY mtr	MTX:Index_IndexNo	level	(meter)	Level meter value
		gr		gr meter value
		hold		Hold meter value

Details: *IndexNo* = Index number assigned in Remote Control Setup List
 (meter) = See section 5, "Meter Values."

Example: Notification: NOTIFY mtr MTX:Index_2 level 71 71 71 71 71 71 69 68
 (V2.02 or earlier NOTIFY mtr MTX:Index_002 level 71 71 71 71 71 71 69 68)
 * The meter value is expressed using a 2-digit hexadecimal.
 Meaning: Output levels for Ch1 to 8 which are assigned to Index 2 in Remote Control list are sent.

3.2.4. Preset change notification

1-8) Current Preset number change notification

Command	Option 1	Description
NOTIFY sscurrent	(index)	Current preset number change notification

Details: (index) = Current preset index number

Example: Notification: NOTIFY sscurrent 10
 Meaning: Current preset was changed to index 10 (preset 10).

1-9) Preset recall start notification

Command	Option 1	Description
NOTIFY ssrecall	(index)	Preset recall process started

Details: (index) = Preset index number

Example: Notification: NOTIFY ssrecall 10
 Meaning: Preset recall process for Index 10 preset started.

3.2.5. Snapshot change notification

1-10) Current Snapshot number change notification

Command	Option 1	Option 2	Description
NOTIFY sscurrent_ex	list	(index)	Current preset number change notification

Details: (index) = Index number for Snapshot assigned in Remote Control Setup List

Example: Notification: NOTIFY sscurrent_ex list 5
 Meaning: Snapshot recall occurred for the Snapshot assigned to index 5 in Remote Control Setup List

1-11) Snapshot recall start notification

Command	Option 1	Option 2	Description
NOTIFY ssrecall_ex	list	(index)	Snapshot recall start notification

Details: (index) = Index number for Snapshot assigned in Remote Control Setup List

Example: Notification: NOTIFY ssrecall_ex list 5
 Meaning: Snapshot recall process for Index 5 started.

3.2.6. Event processing change notification

1-12) Media insertion notification

Command	Option 1	Option 2	Description
NOTIFY event	MTX:Media	"sdcard=inserted"	An SD memory card was inserted.
		"sdcard=extracted"	An SD memory card was removed.

Example: Notification: NOTIFY event MTX:Media "sdcard=inserted"
 Meaning: An SD memory card was inserted into an SD memory card slot and was detected normally.
 * SD Card should not be removed when the MTX is powered on.

1-13) Time synchronization notification <Old format>

Command	Option 1	Option 2	Description
NOTIFY event	MTX:AbsoluteTime	"yyyy/mm/dd hh:mm:ss"	Time synchronization notification

Details: yyyy = Year (Gregorian)
 mm = Month (1 to 12)
 dd = Day (1 to 31)
 hh = Hour (0 to 23)
 mm = Minute (0 to 59)
 ss = Second (0 to 59)
 * DST (Daylight Saving Time) is not accounted for.

Example: Notification: NOTIFY event MTX:AbsoluteTime "2013/1/25 10:58:19"
 Meaning: The time was set to January 25, 2013, 10 hours 58 minutes 19 seconds.

Note: This command's option1 string "MTX:AbsoluteTime" is retained to keep compatibility with previous programming using the previous protocol. The command's function is identical to the new format shown below.
 Device sends both format commands when time is set in order to keep compatibility with program which done for old format in past.
 Ignore this command and process new format command in new program.

1-14) Time synchronization notification <New format>

Command	Option 1	Option 2	Description
NOTIFY event	MTX:SetAbsoluteTime	"yyyy/mm/dd hh:mm:ss"	Time synchronization notification

Details: yyyy = Year (Gregorian)
 mm = Month (1 to 12)
 dd = Day (1 to 31)
 hh = Hour (0 to 23)
 mm = Minute (0 to 59)
 ss = Second (0 to 59)
 * DST (Daylight Saving Time) is not accounted for.

Example: Notification: NOTIFY event MTX:SetAbsoluteTime "2013/1/25 10:58:19"
 Meaning: The time was set to January 25, 2013, 10 hours 58 minutes 19 seconds

1-15) DST enable change notification

Command	Option 1	Option 2	Description
NOTIFY event	MTX:DSTSetEnable	"enable"	DST enable
		"disable"	DST disable

Example: Notification: NOTIFY event MTX:DSTSetEnable "enable"
 Meaning: DST was enabled

1-16) DST offset time change notification

Command	Option 1	Option 2	Description
NOTIFY event	MTX:DSTSetOffset	"offset=hh:mm"	DST offset time change notification

Details: hh = Hour (0 to 2)
 mm = Minute (0 to 59)

Example: Notification: NOTIFY event MTX:DSTSetOffset "01:00"
 Meaning: DST offset was set one hour

1-17) DST start time change notification

Command	Option 1	Option 2	Description
NOTIFY event	MTX:DSTSetStartTime	"time=hh:mm"	DST start time change notification

Details: hh = Hour (0 to 23)
 mm = Minute (0 to 59)

Example: Notification: NOTIFY event MTX:DSTSetStartTime "time=12:00"
 Meaning: DST start time was set to 12:00

1-18) DST end time change notification

Command	Option 1	Option 2	Description
NOTIFY event	MTX:DSTSetEndTime	"time=hh:mm"	DST end time change notification

Details: hh = Hour (0 to 23)
 mm = Minute (0 to 59)

Example: Notification: NOTIFY event MTX:DSTSetEndTime "time=12:00"
 Meaning: DST end time was set to 12:00

1-19) DST start/end day change notification (day/week)

Command	Option 1	Option 2	Description
NOTIFY event	MTX:DSTSetDayWeek	"s_weekindex=xxxx s_day=yyyy s_month=zzzz e_weekindex=uuuu e_day=vvvv e_month=wwww"	DST start/end day change notification (day/week)

Details: xxxx = Start week (First, Second, Third, Fourth, Fifth, Last)
 yyyy = Start day (Sun, Mon, Tue, Wed, Thu, Fri, Sat)
 zzzz = Start month (Jan, Feb, Mar, Apr, May, Jun, Jul, Aug, Sep, Oct, Nov, Dec)
 uuuu = End week (First, Second, Third, Fourth, Fifth, Last)
 vvvv = End day (Sun, Mon, Tue, Wed, Thu, Fri, Sat)
 wwww = End month (Jan, Feb, Mar, Apr, May, Jun, Jul, Aug, Sep, Oct, Nov, Dec)

Example: Notification: NOTIFY event MTX:DSTSetDayWeek "s_weekindex=Last|s_day=Sun|s_month=Mar|
 e_weekindex=Last|e_day=Sun|e_month=Oct"
 Meaning: DST start/end days were set as from last Sunday in March to last Sunday in October

1-20) DST start/end day change notification (day)

Command	Option 1	Option 2	Description
NOTIFY event	MTX:DSTSetDay	"s_month=xxxx s_date=yyyy e_month=zzzz e_date=wwwww"	DST start/end day change notification (day)

Details: xxxx = Start month (Jan, Feb, Mar, Apr, May, Jun, Jul, Aug, Sep, Oct, Nov, Dec)
 yyyy = Start day (1 ~ 31)
 zzzz = End month (Jan, Feb, Mar, Apr, May, Jun, Jul, Aug, Sep, Oct, Nov, Dec)
 wwwwww = End day (1 ~ 31)

Example: Notification: NOTIFY event MTX:DSTSetDay "s_month=Mar|s_date=10|e_month=Nov|e_day=3"
 Meaning: DST start day was set to March 10th and DST end day was set to November 3rd

1-21) Song play mode notification

Command	Option 1	Option 2	Description
NOTIFY event	MTX:AudioPlayerSetPlayMode	"playmode=one"	One song play mode
		"playmode=repeat one"	One song repeat
		"playmode=all"	All song play
		"playmode=repeat all"	All songs repeat
		"playmode=shuffle"	Shuffle repeat

Example: Notification: NOTIFY event MTX:AudioPlayerSetPlayMode "playmode=repeat one"
 Meaning: The play mode was changed to one song repeat.

1-22) Play, stop, and other transport operation notification

Command	Option 1	Option 2	Description
NOTIFY event	MTX:AudioPlayerTransport	"operation=stop"	Stop
		"operation=play"	Play
		"operation=pause"	Pause

Example: Notification: NOTIFY event MTX:AudioPlayerTransport "operation=stop"
 Meaning: Playback was paused.

1-23) Playback song notification

Command	Option 1	Option 2	Description
NOTIFY event	MTX:AudioPlayerSetCurrentSong	"dirpath=xxxx dirname=yyyy fileindex=zzzz filename=wwwww"	Playback song designation

Details: xxxx = Directory path (index expression)
 yyyy = Directory name (name of the folder)
 zzzz = File index
 wwwwww = File name

Example: Notification: NOTIFY event MTX:AudioPlayerSetCurrentSong
 "dirpath=0/1|dirname=Folder #1|fileindex=2|filename=xxxx.mp3"
 Meaning: The playback song was set to index number 1 "xxxx.mp3" in the "Folder #1" folder of 0/1
 (index expression).
 * "0/1" expresses the root folder number/sub folder number (the root folder number is always fixed at 0).

Note: The character encoding for directory and file names conforms to the setting specified by the scpmode encoding command.

1-24) MTX Editor synchronization processing notification

Command	Option 1	Option 2	Description
NOTIFY event	MTX:SynchronizationSetStatus	"active"	Synchronization start
		"inactive"	Synchronization end

Example: Notification: NOTIFY event MTX:SynchronizationSetStatus "active"
 Meaning: Synchronization processing was started between MTX and MTX Editor.

Note: When this notification is received, because the internal MTX settings may have changed significantly, we recommend that you verify the connection by querying relevant parameters.

3.3. Commands for controlling a device

3.3.1. Device status query

2-1) Device run mode query

Command	Option 1	Description
devstatus	runmode	Queries the run mode

Response

Response string	Description
OK devstatus runmode "emergency"	Emergency run mode
OK devstatus runmode "update"	Update mode
OK devstatus runmode "normal"	Normal run mode

Example: Command: devstatus runmode
 Response: OK devstatus runmode "normal"
 Meaning: Query the run mode.
 The device is currently in normal run mode.

Note: After device responds with -OK devstatus runmode "normal"-, device starts to send commands.

In order to establish remote control communication, the external controller must send [devstatus runmode] command to the device and await response. When the device responds as [OK devstatus runmode "normal"], the device is ready to receive commands.

2-2) Device error status query

Command	Option 1	Description
devstatus	error	Queries the error status

Response

Response string	Description
OK devstatus error "none"	No alerts
OK devstatus error "flt/xxxx"	fault alert
OK devstatus error "err/xxxx"	error alert
OK devstatus error "wrn/xxxx"	warning alert

Details: "flt/ xxxx" = "flt/message// xnnn onf (sssss) ID-xxx 2012/12/31 23:59:59"
 "err/ xxxx" = "err/message// xnnn onf (sssss) ID-xxx 2012/12/31 23:59:59"
 "wrn/ xxxx" = "wrn/message// xnnn onf (sssss) ID-xxx 2012/12/31 23:59:59"
 The first three characters indicate the alert type.
 message = Alert message (The section from "/" to "/" after the alert type is the message data.)
 . . . up to 32 characters (ascii characters)
 nnn = Alert number (panel display number)
 . . . 2 or 3 digit hexadecimal notation (The x at the front indicates hexadecimal notation.)
 onf = Alert on/off
 . . . Persistent alerts turn on when an alert condition occurs and turn off when they are cleared.
 Single-shot alerts turn on while an alert condition is true.
 sssss = Identical alert count (a counter that indicates the number of identical alerts, normally set to 1)
 . . . Decimal notation
 xxx = UNIT ID number . . . 3- digit hexadecimal
 Date
 Time

Example: Command: devstatus error
 Response: OK devstatus error "err/DCP[0] communication error// x53 on (1) ID-001 2013/1/22 11:38:23"
 Meaning: Query the alert status.
 Error alert 53 is occurring.

2-3) Current Fs (sampling frequency) status query

Command	Option 1	Description
devstatus	fs	Queries Fs

Response

Response string	Description
OK devstatus fs "unknown"	Fs undefined
OK devstatus fs "44.1kHz"	44.1kHz
OK devstatus fs "48kHz"	48kHz

Example: Command: devstatus fs
 Response: OK devstatus fs "44.1kHz"
 Meaning: Query Fs.
 The current Fs is 44.1 kHz.

2-4) Current word clock status query

Command	Option 1	Description
devstatus	lockstatus	Queries the word clock lock status

Response

Response string	Description
OK devstatus lockstatus "unlock"	Unlock
OK devstatus lockstatus "lock"	Lock

Example: Command: devstatus lockstatus
 Response: OK devstatus lockstatus "lock"
 Meaning: Query the word clock lock status.
 Locked

3.3.2. Device run mode change**2-5) Device run mode change**

Command	Option 1	Description
devmode	normal	Sets the run mode to normal
	emergency	Sets the run mode to emergency

Response

Response string	Description
OK devmode normal	Normal run mode change complete
OK devmode emergency	Emergency run mode change complete

Example: Command: devmode emergency
 Response: OK devmode emergency
 Meaning: Change to emergency mode.
 Run mode was changed to emergency.

3.3.3. MTX external control protocol run mode setting

2-6) Result and change notification character encoding setting

Command	Option 1	Option 2	Description
scpmode	encoding	ascii	ASCII encoding mode (default setting)
		utf8	UTF-8 encoding mode

Response

Response string	Description
OK scpmode encoding ascii	ASCII encoding mode change complete
OK scpmode encoding utf8	UTF-8 encoding mode change complete

Example: Command: scpmode encoding utf8
 Response: OK scpmode encoding utf8
 Meaning: Change the result and change notification encoding code to UTF-8.
 The encoding mode was changed to UTF-8.

2-7) Value notification mode setting

Command	Option 1	Option 2	Description
scpmode	valuetype	raw	Raw value mode (default setting)
		normalized	Normalized value mode

Response

Response string	Description
OK scpmode valuetype raw	Raw value mode change complete
OK scpmode valuetype normalized	Normalized value mode change complete

Example: Command: scpmode valuetype normalized
 Response: OK scpmode valuetype normalized
 Meaning: Change parameter change notifications to normalized value mode.
 Parameter change notifications were changed to normalized value mode.

2-8) Normalization resolution setting

Command	Option 1	Option 2	Description
scpmode	resolution	(res)	Resolution for normalized value notifications (default setting = 1000)

Details: (res) = Resolution for normalized values

Response

Response string	Description
OK scpmode resolution xxxx	The resolution for normalized value notifications

Details: xxxx = Specified resolution * Specified resolution should be more than 100.

Example: Command: scpmode resolution 128
 Response: OK scpmode resolution 128
 Meaning: Set the resolution of normalized values for setn commands to 128.
 The resolution of normalized values for setn commands was set to 128.

2-9) Keepalive activation setting

Command	Option 1	Option 2	Description
scpmode	keepalive	(interval)	Maximum interval for a client to send some kind of message, including heart beats (default setting = disabled)

Details: (interval) = Timeout value (msec) * Timeout value should be more than 1000.
* The actual timeout value will be increased by 1 second.

Response

Response string	Description
OK scpmode keepalive xxxx	Keepalive activated notification

Details: xxxx = The specified timeout value (msec)

Example: Command: scpmode keepalive 2000
Response: OK scpmode keepalive 2000
Meaning: Set the timeout value to 2000 msec (2 seconds).
The timeout value was set to 2000 msec (2 seconds).

Note: When unexpected disconnection happens, remote controller can't finish communication with closing process.
In such case, device has to keep status "connected" and remote controller can't establish new connection after that.

In order to prevent the situation above, device watches keepalive command if connection with remote controller is still alive.

If device doesn't receive keepalive command within timeout value which is set by this command, device terminates connection by itself.

After the Keepalive activation command has been activated, the Remote controller must send any command or LF(0x0A) code as a heart beat to the device within the timeout value.

3.3.4. Parameter query

2-10) Raw value parameter query

MTX3,MTX5-D,XMV,EXi8,EXo8

Command	Option 1	Option 2	Option 3	Description
get	MTX:mem_MemNo/Uniqueld/ElmNo/Xpos/Ypos/PrmNo/IndexNo	0	0	Raw value parameter query request

Details:

- MemNo* = See section 7, "Parameter List."
- Uniqueld* = See section 7, "Parameter List."
- ElmNo* = See section 7, "Parameter List."
- Xpos* = See section 7, "Parameter List."
- Ypos* = See section 7, "Parameter List."
- PrmNo* = See section 7, "Parameter List."
- IndexNo* = See section 7, "Parameter List."

Response

Response string	Description
OK get MTX:mem_MemNo/Uniqueld/ElmNo/Xpos/Ypos/PrmNo/IndexNo 0 0 (value)	Raw value parameter query response

Details:

- MemNo* = See section 7, "Parameter List."
- Uniqueld* = See section 7, "Parameter List."
- ElmNo* = See section 7, "Parameter List."
- Xpos* = See section 7, "Parameter List."
- Ypos* = See section 7, "Parameter List."
- PrmNo* = See section 7, "Parameter List."
- IndexNo* = See section 7, "Parameter List."
- (value) = See section 3.1, "Basic Command Specifications," or section 7, "Parameter List."

Example: Command: get MTX:mem_512/60000/0/0/0/0 0 0
 Response: OK get MTX:mem_512/60000/0/0/0/0 0 0 -7760
 Meaning: Query the 1ch level of the DCA fader with raw values.
 The 1ch level of the DCA fader is -77.60.

MRX7-D

Command	Option 1	Option 2	Option 3	Description
get	MTX:Index_IndexNo	0	0	Raw value parameter query request

Details: *IndexNo* = Index number assigned in Remote Control Setup List

Response

Response string	Description
OK get MTX:Index_IndexNo 0 0 (value)	Raw value parameter query response

Details:

- IndexNo* = Index number assigned in Remote Control Setup List
- "(value)" = See section 3.1, "Basic Command Specifications," or section 7, "Parameter List."

Example: Command: get MTX:Index_1 0 0
 Response: OK get MTX:Index_1 0 0 -7760
 (V2.02 or earlier OK get MTX:Index_001 0 0 -7760)
 Meaning: Query level of the parameter assigned to Index 1 in Remote Control Setup List using raw values.
 Level of the Parameter that is assigned to Index 1 in Remote Control Setup List is -77.60.

2-11) Normalized value parameter query

MTX3,MTX5-D,XMV,EXi8,EXo8

Command	Option 1	Option 2	Option 3	Description
getn	MTX:mem_MemNo/UniqueId/ElmNo/Xpos/Ypos/PrmNo/IndexNo	0	0	Normalized value parameter query request

Details: MemNo = See section 7, "Parameter List."
 UniqueId = See section 7, "Parameter List."
 ElmNo = See section 7, "Parameter List."
 Xpos = See section 7, "Parameter List."
 Ypos = See section 7, "Parameter List."
 PrmNo = See section 7, "Parameter List."
 IndexNo = See section 7, "Parameter List."

Response

Response string	Description
OK getn MTX:mem_MemNo/UniqueId/ElmNo/Xpos/Ypos/PrmNo/IndexNo 0 0 (value)	Normalized value parameter query response

Details: MemNo = See section 7, "Parameter List."
 UniqueId = See section 7, "Parameter List."
 ElmNo = See section 7, "Parameter List."
 Xpos = See section 7, "Parameter List."
 Ypos = See section 7, "Parameter List."
 PrmNo = See section 7, "Parameter List."
 IndexNo = See section 7, "Parameter List."
 (value) = See section 3.1, "Basic Command Specifications," or section 7, "Parameter List."

Example: Command: getn MTX:mem_512/60000/0/0/0/0 0 0
 Response: OK getn MTX:mem_512/60000/0/0/0/0 0 0 408
 Meaning: Query the 1ch level of the DCA fader with normalized values.
 The 1ch level of the DCA fader is 408.

MRX7-D

Command	Option 1	Option 2	Option 3	Description
getn	MTX:Index_IndexNo	0	0	Normalized value parameter query request

Details: IndexNo = Index number assigned in Remote Control Setup List

Response

Response string	Description
OK getn MTX:Index_IndexNo 0 0 (value)	Normalized value parameter query response

Details: IndexNo = Index number assigned in Remote Control Setup List
 "(value)" = See section 3.1, "Basic Command Specifications," or section 7, "Parameter List."

Example: Command: getn MTX:Index_1 0 0
 Response: OK getn MTX:Index_1 0 0 408
 (V2.02 or earlier OK getn MTX:Index_001 0 0 408)
 Meaning: Query level of a parameter assigned to Index 1 in Remote Control Setup List using normalized values. Level of the parameter which is assigned to Index 1 in Remote Control Setup List is 408.

2-12) Scheduler status query

Command	Option 1	Option 2	Option 3	Description
get(getn,gett)	MTX:EvtScd_On	0	0	Queries the scheduler status

* For getn, the response will contain a normalized value; for gett, the response will contain a text string.

Response

Response string	Description
OK get MTX:EvtScd_On 0 0 1	Scheduler on
OK get MTX:EvtScd_On 0 0 0	Scheduler off

Example: Command: get MTX:EvtScd_On 0 0
 Response: OK get MTX:EvtScd_On 0 0 1
 Meaning: Query the scheduler status.
 Enabled

3.3.5. Parameter setting

2-13) Raw value parameter setting

MTX3,MTX5-D,XMV,EXi8,EXo8

Command	Option 1	Option 2	Option 3	Option 4	Description
set	MTX:mem_MemNo/Uniqueld/ElmNo/ Xpos/Ypos/PrmNo/IndexNo	0	0	(value)	Raw value parameter setting

Details: *MemNo* = See section 7, "Parameter List."
Uniqueld = See section 7, "Parameter List."
ElmNo = See section 7, "Parameter List."
Xpos = See section 7, "Parameter List."
Ypos = See section 7, "Parameter List."
PrmNo = See section 7, "Parameter List."
IndexNo = See section 7, "Parameter List."
(value) = See section 3.1, "Basic Command Specifications," or section 7, "Parameter List."

Response

Response string	Description
OK set MTX:mem_MemNo/Uniqueld/ElmNo/Xpos/Ypos/ PrmNo/IndexNo 0 0 (value) "(string)"	Raw value parameter setting response
OKm set MTX:mem_MemNo/Uniqueld/ElmNo/Xpos/Ypos/ PrmNo/IndexNo 0 0 (value) "(string)"	

* If the requested parameter value is outside the range, the value is adjusted within the range and set.
If this occurs, the result notification will be OKm instead of OK.

Details: *MemNo* = See section 7, "Parameter List."
Uniqueld = See section 7, "Parameter List."
ElmNo = See section 7, "Parameter List."
Xpos = See section 7, "Parameter List."
Ypos = See section 7, "Parameter List."
PrmNo = See section 7, "Parameter List."
IndexNo = See section 7, "Parameter List."
(value) = See section 3.1, "Basic Command Specifications," or section 7, "Parameter List."
"(string)" = See section 3.1, "Basic Command Specifications," or section 7, "Parameter List."

Example: Command: set MTX:mem_512/60000/0/0/0/0 0 0 -7760
Response: OK set MTX:mem_512/60000/0/0/0/0 0 0 -7760 "-77.60"
Meaning: Set the 1ch level of the DCA fader to a raw value of -77.60.
The 1ch level of the DCA fader was set to "-77.60".

MRX7-D

Command	Option 1	Option 2	Option 3	Option 4	Description
set	MTX:Index_IndexNo	0	0	(value)	Raw value parameter setting

Details: *IndexNo* = Index number assigned in Remote Control Setup List
(value) = See section 3.1, "Basic Command Specifications," or section 7, "Parameter List."

Response

Response string	Description
OK set MTX:Index_IndexNo 0 0 (value) "(string)"	Raw value parameter setting response
OKm set MTX:Index_IndexNo 0 0 (value) "(string)"	

* If the requested parameter value is outside the range, the value is adjusted within the range and set.
If this occurs, the resulting notification will be Okm instead of OK.

Details: *IndexNo* = Index number assigned in Remote Control Setup List
(value) = See section 3.1, "Basic Command Specifications," or section 7, "Parameter List."
"(string)" = See section 3.1, "Basic Command Specifications," or section 7, "Parameter List."

Example: Command: set MTX:Index_1 0 0 -7760
Response: OK set MTX:Index_1 0 0 -7760 "-77.60"
(V2.02 or earlier OK set MTX:Index_001 0 0 -7760 "-77.60")
Meaning: Set the parameter assigned to Index 1 in Remote Control Setup List to -77.60 using raw values.
Level of a parameter which is assigned to Index 1 in Remote Control Setup List was set to "-77.60".

2-14) Normalized value parameter setting

MTX3,MTX5-D,XMV,EXi8,EXo8

Command	Option 1	Option 2	Option 3	Option 4	Description
setn	MTX:mem_MemNo/Uniqueld/ElmNo/Xpos/Ypos/PrmNo/IndexNo	0	0	(value)	Normalized value parameter setting

Details: MemNo = See section 7, "Parameter List."
 Uniqueld = See section 7, "Parameter List."
 ElmNo = See section 7, "Parameter List."
 Xpos = See section 7, "Parameter List."
 Ypos = See section 7, "Parameter List."
 PrmNo = See section 7, "Parameter List."
 IndexNo = See section 7, "Parameter List."
 (value) = See section 3.1, "Basic Command Specifications," or section 7, "Parameter List." (*)
 * When value is set "1023" (default:1000), control resolution becomes same as "Raw value" command.
 See "6.1 Fader parameter " for the "Normalised value" vs "Raw value" when the value is set "1023"

Response

Response string	Description
OK setn MTX:mem_MemNo/Uniqueld/ElmNo/Xpos/Ypos/PrmNo/IndexNo 0 0 (value) "(string)"	Normalized value parameter setting response
OKm setn MTX:mem_MemNo/Uniqueld/ElmNo/Xpos/Ypos/PrmNo/IndexNo 0 0 (value) "(string)"	

* If the requested parameter value is outside the range, the value is adjusted within the range and set.
 If this occurs, the result notification will be OKm instead of OK.

Details: MemNo = See section 7, "Parameter List."
 Uniqueld = See section 7, "Parameter List."
 ElmNo = See section 7, "Parameter List."
 Xpos = See section 7, "Parameter List."
 Ypos = See section 7, "Parameter List."
 PrmNo = See section 7, "Parameter List."
 IndexNo = See section 7, "Parameter List."
 (value) = See section 3.1, "Basic Command Specifications," or section 7, "Parameter List."
 "(string)" = See section 3.1, "Basic Command Specifications," or section 7, "Parameter List."

Example: Command: setn MTX:mem_512/60000/0/0/0/0 0 0 408
 Response: OKm setn MTX:mem_512/60000/0/0/0/0 0 0 408 "-20.56"
 Meaning: Set the 1ch level of the DCA fader to a normalized value of 408.
 The 1ch level of the DCA fader was set to "-20.56".

MRX7-D

Command	Option 1	Option 2	Option 3	Option 4	Description
setn	MTX:Index_IndexNo	0	0	(value)	Normalized value parameter setting

Details: IndexNo = Index number assigned in Remote Control Setup List
 (value) = See section 3.1, "Basic Command Specifications," or section 7, "Parameter List."(*)
 * When value is set "1023" (default:1000), control resolution becomes same as "Raw value" command.
 See "6.1 Fader parameter " for the "Normalised value" vs "Raw value" when the value is set "1023"

Response

Response string	Description
OK setn MTX:Index_IndexNo 0 0 (value) "(string)"	Normalized value parameter setting response
OKm setn MTX:Index_IndexNo 0 0 (value) "(string)"	

* If the requested parameter value is outside the range, the value is adjusted within the range and set.
 If this occurs, the result notification will be OKm instead of OK.

Details: IndexNo = Index number assigned in Remote Control Setup List
 (value) = See section 3.1, "Basic Command Specifications," or section 7, "Parameter List."
 "(string)" = See section 3.1, "Basic Command Specifications," or section 7, "Parameter List."

Example: Command: setn MTX:Index_1 0 0 408
 Response: OK setn MTX:Index_1 0 0 408 "-21.50"
 (V2.02 or earlier OK setn MTX:Index_001 0 0 408 "-21.50")
 Meaning: Set a parameter assigned to Index 1 in Remote Control Setup List to 408 using normalized values.
 Level of a parameter which is assigned to index 1 in Remote Control Setup List was set to 408 "-21.50".

2-15) Relative value parameter setting

MTX3,MTX5-D,XMV,EXi8,EXo8

Command	Option 1	Option 2	Option 3	Option 4	Description
setr	MTX:mem_MemNo/Uniqueld/ElmNo/ Xpos/Ypos/PrmNo/IndexNo	0	0	"(value)"	Relative value set command.

Details: *MemNo* = See section 7, "Parameter List."
Uniqueld = See section 7, "Parameter List."
ElmNo = See section 7, "Parameter List."
Xpos = See section 7, "Parameter List."
Ypos = See section 7, "Parameter List."
PrmNo = See section 7, "Parameter List."
IndexNo = See section 7, "Parameter List."
"(value)" = relative value to increase or decrease.
(See "Fader Parameter" table in section 6 Parameter Value Details)

Note: This command is available only for fader type parameters. See "Remarks" column in section 7 Parameter List for information regarding which parameters support this command.
The Parameter will be set to a new value which equals the sum of the parameter's original value and the relative value given by this command.
The parameter value range is 0 - 1023 as shown in the "Fader Parameter" table in section 6 Parameter Value Details.
For example, when the relative value is set to 64, 16 level steps can be achieved from the remote controller.
(1024/64 = 16)

Response

Response string	Description
OK setr MTX:mem_MemNo/Uniqueld/ElmNo/Xpos/Ypos/ PrmNo/IndexNo 0 0 (value)	Relative value set command response.
OKm setr MTX:mem_MemNo/Uniqueld/ElmNo/Xpos/Ypos/ PrmNo/IndexNo 0 0 (value)	

* When the sum of current value and relative value is outside of parameter value range (0-1023), a limiting process is automatically applied.
In such case, "OKm" response will be sent back, instead of normal "OK" response.

Details: *MemNo* = See section 7, "Parameter List."
Uniqueld = See section 7, "Parameter List."
ElmNo = See section 7, "Parameter List."
Xpos = See section 7, "Parameter List."
Ypos = See section 7, "Parameter List."
PrmNo = See section 7, "Parameter List."
IndexNo = See section 7, "Parameter List."
"(value)" = relative value to increase or decrease.
(See "Fader Parameter" table in section 6 Parameter Value Details)

Example: Command: setr MTX:mem_512/60000/0/0/0/0 0 0 100
Response: OK setr MTX:mem_512/60000/0/0/0/0 0 0 -1900
Meaning: Set DCA-A Fader to +100 step increase.
The level of the DCA-A fader was set to "-19.00"dB.

MRX7-D

Command	Option 1	Option 2	Option 3	Option 4	Description
setr	MTX:Index_IndexNo	0	0	"(value)"	Relative value set command.

Details: *IndexNo* = Index number assigned in Remote Control Setup List
 (value) = relative value to increase or decrease.
 (See "Fader Parameter" table in section 6 Parameter Value Details)

Note: This command is available only for fader type parameters. See "Remarks" column in section 7 Parameter List for information regarding which parameters support this command.
 The Parameter will be set to a new value which equals the sum of the parameter's original value and the relative value given by this command.
 The parameter value range is 0 - 1023 as shown in the "Fader Parameter" table in section 6 Parameter Value Details. For example, when the relative value is set to 64, 16 level steps can be achieved from the remote controller.
 (1024/64 = 16)

Response

Response string	Description
OK setr MTX:Index_IndexNo 0 0 (value)	Normalized value parameter setting response
OKm setr MTX:Index_IndexNo 0 0 (value)	

* If the requested parameter value is outside the range, the value is adjusted within the range and set.
 If this occurs, the result notification will be OKm instead of OK.

Details: *IndexNo* = Index number assigned in Remote Control Setup List
 (value) = relative value to increase or decrease.
 (See "Fader Parameter" table in section 6 Parameter Value Details)

Example: Command: setr MTX:Index_1 0 0 100
 Response: OK setr MTX:Index_1 0 0 -1900
 (V2.02 or earlier OK setr MTX:Index_001 0 0 -1900)
 Meaning: Set the parameter assigned to index 1 in Remote Control Setup List to 100 step increase.
 Level of the parameter which is assigned to index 1 in Remote Control Setup List was set to "-19.00".

2-16) Scheduler setting

Command	Option 1	Option 2	Option 3	Option 4	Description
set(setn,sett)	MTX:EvntScd_On	0	0	1	Scheduler on
				0	Scheduler off

* For setn, specify a normalized value; for sett, specify option 4 with a character string.

Response

Response string	Description
OK set MTX:EvntScd_On 0 0 1 "1"	Scheduler enabled response
OK set MTX:EvntScd_On 0 0 0 "0"	Scheduler disabled response

Example: Command: set MTX:EvntScd_On 0 0 1
 Response: OK set MTX:EvntScd_On 0 0 1 "1"
 Meaning: Enable the scheduler.
 The scheduler was enabled.

3.3.6. Meter control

2-17) Transmission request

MTX3,MTX5-D,XMV,EXi8,EXo8

Command	Option 1	Option 3	Description
mtrstart	MTX:mtr_ <i>MemNo/Uniqueld</i> /meter	(interval)	Requests that the specified meter data be transmitted.

Details: *MemNo* = See section 8, "Meter List."
Uniqueld = See section 8, "Meter List."
(interval) = Minimum transmission interval (msec)

Response

Response string	Description
OK mtrstart MTX:mtr_ <i>MemNo/Uniqueld</i> /meter	Meter data transmission setting complete

Details: *MemNo* = See section 8, "Meter List."
Uniqueld = See section 8, "Meter List."

Example: Command: mtrstart MTX:mtr_512/20020/meter 1000
Notification: OK mtrstart MTX:mtr_512/20020/meter
NOTIFY mtr MTX:mtr_512/20020/meter level 71 71 71 71 71 71 69 68
NOTIFY mtr MTX:mtr_512/20020/meter level 71 71 71 71 71 71 69 68
* The meter value is expressed using a 2-digit hexadecimal.
Meaning: Send the meter data of ch1 to 8 output levels at 1000 msec intervals.
A request for the ch1 to 8 output levels was received, so the data will be transmitted.

MRX7-D

Command	Option 1	Option 2	Option 3	Description
mtrstart	MTX:Index_ <i>IndexNo</i>	level	(interval)	Requests specified level meter data be transmitted.
		gr		Requests specified Gain Reduction meter data be transmitted.
		hold		Requests specified Hold meter data be transmitted.

Details: *IndexNo* = Index number assigned in Remote Control Setup List
(interval) = Minimum transmission interval (msec)

Response

Response string	Description
OK mtrstart MTX:Index_ <i>IndexNo</i> level	Level meter data transmission setting complete
OK mtrstart MTX:Index_ <i>IndexNo</i> gr	Gain Reduction meter data transmission setting complete
OK mtrstart MTX:Index_ <i>IndexNo</i> hold	Hold meter data transmission setting complete

Details: *IndexNo* = Index number assigned in Remote Control Setup List

Example: Command: mtrstart MTX:Index_2 level 1000
Notification: OK mtrstart MTX:Index_2 level
NOTIFY mtr MTX:Index_2 level 71 71 71 71 71 71 69 68
NOTIFY mtr MTX:Index_2 level 71 71 71 71 71 71 69 68
(V2.02 or earlier OK mtrstart MTX:Index_002 level
NOTIFY mtr MTX:Index_002 level 71 71 71 71 71 71 69 68
NOTIFY mtr MTX:Index_002 level 71 71 71 71 71 71 69 68)
* The meter value is expressed using a 2-digit hexadecimal.
Meaning: Send the meter data of ch1 to 8 which are assigned to Index 1 in Remote Control Setup List using 1000 msec intervals.
A request for Ch1 to 8 which are assigned to Index 1 in Remote control Setup List was received, data will be transmitted.

2-18) Stop request**MTX3,MTX5-D,XMV,EXi8,EXo8**

Command	Option 1	Description
mtrstop	MTX:mtr_ <i>MemNo</i> / <i>Uniqueld</i> /meter	Requests that the specified meter data be stopped.

Details: *MemNo* = See section 8, "Meter List."
Uniqueld = See section 8, "Meter List."

Response

Response string	Description
OK mtrstop MTX:mtr_ <i>MemNo</i> / <i>Uniqueld</i> /meter	Meter data stop setting complete

Details: *MemNo* = See section 8, "Meter List."
Uniqueld = See section 8, "Meter List."

Example: Command: mtrstop MTX:mtr_512/20020/meter
Notification: OK mtrstop MTX:mtr_512/20020/meter
Meaning: Stop the meter data of ch1 to 8 output levels.
The request to stop the meter data of ch1 to 8 output levels was received.

MRX7-D

Command	Option 1	Option 3	Description
mtrstop	MTX:Index_ <i>IndexNo</i>	level	Requests that the specified level meter data be stopped
		gr	Requests that the specified Gain Reduction meter data be stopped
		hold	Requests that the specified hold meter data be stopped

Details: *IndexNo* = Index number assigned in Remote Control Setup List

Response

Response string	Description
OK mtrstop MTX:Index_ <i>IndexNo</i> level	Level meter data stop setting complete
OK mtrstop MTX:Index_ <i>IndexNo</i> gr	Gain Reduction meter data stop setting complete
OK mtrstop MTX:Index_ <i>IndexNo</i> hold	Hold meter data stop setting complete

Details: *IndexNo* = Index number assigned in Remote Control Setup List

Example: Command: mtrstop MTX:Index_2 level
Notification: OK mtrstop MTX:Index_2 level
(V2.02 or earlier OK mtrstop MTX:Index_002 level)
Meaning: Stop the meter data of ch1 to 8 which are assigned to Index 2 in Remote Control Setup List.
The request to stop the meter data of ch1 to 8 which are assigned to Index 2 in Remote Control Setup List was received.

3.3.7. Preset processing

2-19) Preset current number query processing

Command	Description
sscurrent	Queries the current preset number (index)

Response

Response string	Description
OK sscurrent (index) unmodified	Current preset number queried (There is no parameter change after recalling.)
OK sscurrent (index) modified	Current preset number queried (There is a parameter change after recalling.)

Details: (index) = Current preset number

Example: Command: sscurrent
 Notification: OK sscurrent 10 unmodified
 Meaning: Query the last index number (preset number) that was recalled.
 The index number (preset number) is index 10 (preset 10), and no parameter has changed after recalling.

2-20) Preset recall processing

Command	Option 1	Description
ssrecall	(index)	Recalls the preset at the specified index from the preset list.

Details: (index) = Snapshot (preset) number

Response

Response string	Description
OK ssrecall (index)	Requested index

Details: (index) = Snapshot (preset) number

Example: Command: ssrecall 1
 Notification: OK ssrecall 1
 Meaning: Recall the preset at index 1 (preset 1).
 The preset at index 1 (preset 1) was recalled.

3.3.8. Snapshot Recall processing

2-21) Snapshot recall processing

Command	Option 1	Option 2	Description
ssrecall_ex	list	(index)	Recall Snapshot or SnapshotGroup assigned in Remote Control Setup List.

Details: *Index* = Index number assigned in Remote Control Setup List

Response

Response string	Description
OK ssrecall_ex list (index)	Index number assigned in Remote Control Setup List

Details: *Index* = Index number assigned in Remote Control Setup List

Example: Command: ssrecall_ex list 3
 Notification: OK ssrecall_ex list 3
 Meaning: Recall the Snapshot assigned to index 3 in Remote Control Setup List.
 The Snapshot assigned to Index 2 in Remote Control Setup List was recalled.

3.4. Extended commands

3.4.1. Product information query request

3-1) MTX external control protocol version query

Command	Option 1	Description
devinfo	protocolver	Queries the MTX external control protocol version

Response

Response string	Description
OK devinfo protocolver "xxxx"	MTX external control protocol version

Details: xxxx = Version

Example: Command: devinfo protocolver
 Notification: OK devinfo protocolver "1.0.0"
 Meaning: Query the protocol version.
 Protocol version = V1.0.0

3-2) Parameter set version query

Command	Option 1	Description
devinfo	paramsetver	Queries the parameter set version

Response

Response string	Description
OK devinfo paramsetver "xxxx"	Parameter set version

Details: xxxx = Version

Example: Command: devinfo paramsetver
 Notification: OK devinfo paramsetver "MTX:1.2.0"
 Meaning: Query the parameter set version.
 Parameter set version = V1.2.0

3-3) Firmware version query

Command	Option 1	Description
devinfo	version	Queries the firmware version

Response

Response string	Description
OK devinfo version "xxxx"	Firmware version

Details: xxxx = Version

Example: Command: devinfo version
 Notification: OK devinfo version "1.0.0"
 Meaning: Query the firmware version.
 Firmware version = V1.00

3-4) Product name query

Command	Option 1	Description
devinfo	productname	Queries the product name

Response

Response string	Description
OK devinfo productname "xxxx"	Product name

Details: xxxx = Product name

Example: Command: devinfo productname
 Notification: OK devinfo productname "MTX3"
 Meaning: Query the product name.
 Product name = "MTX3"

3-5) Serial number query

Command	Option 1	Description
devinfo	serialno	Queries the serial number

Response

Response string	Description
OK devinfo serialno "xxxx"	Serial number

Details: xxxx = Serial number

Example: Command: devinfo serialno
 Notification: OK devinfo serialno "ZA37640CHNET101001"
 Meaning: Query the serial number.
 Serial number = "ZA37640CHNET101001"

3-6) Device ID query

Command	Option 1	Description
devinfo	deviceid	Queries the device ID

Response

Response string	Description
OK devinfo deviceid "xxxx"	Device ID

Details: xxxx = Device ID
 * 3-digit hexadecimal

Example: Command: devinfo deviceid
 Notification: OK devinfo deviceid "001"
 Meaning: Query the device ID.
 Device ID = "001"

Note: The device ID corresponds to the UNIT ID.

3-7) Device name query

Command	Option 1	Description
devinfo	devicename	Queries the device name assigned by the user

Response

Response string	Description
OK devinfo devicename "xxxx"	Device name assigned by the user

Details: xxxx = Device name

Example: Command: devinfo devicename
 Notification: OK devinfo devicename "MTX3"
 Meaning: Query the device name.
 Device name = "MTX3"

Note: The character encoding for the device name conforms to the setting specified by the scpmode encoding command.

3.4.2. Preset processing request

3-8) Number of Preset lists

Command	Description
ssnum	Queries the number of preset lists

Response

Response string	Description
OK ssnum (num)	The number of preset lists

Details: (num) = Quantity

Example: Command: ssnum
 Notification: OK ssnum 51
 Meaning: Query the number of presets.
 The number of presets is 51.

3-9) Nth preset information

Command	Option 1	Description
ssinfo	(index)	Queries the preset information at the specified index in the preset list.

Response

Response string	Description
OK ssinfo (index) "xxxxxx" (attrib) "yyyyyy" "zzzzz"	Preset information at the specified index in the preset list.

Details: (index) = Requested index number
 "xxxxxx" = Text expressing the relevant preset number
 (attrib) = Relevant preset attribute
 preinst = preinstalled preset
 reserve = reserved area
 user = user preset available
 empty = empty
 "yyyyyy" = title text of the relevant preset
 "zzzzz" = comment text of the relevant preset.
(reserved for future use. MTX does not currently use comments. "" will be returned.)

Example: Command: ssinfo 10
 Notification: OK ssinfo 10 "10" user "Preset 10" ""
 Meaning: Query the contents of the preset at index 10 (preset 10).
 The preset at index 10 contains
 display number = "10"
 title = "Preset 10"
 comment = ""
 and is a stored preset.

Note: The character encoding for preset titles and comments conforms to the setting specified by the scpmode encoding command.

3.4.3. Event processing request

3-10) Time synchronization <Old format>

Command	Option 1	Option 2	Description
event	MTX:AbsoluteTime	"yyyy/mm/dd hh:mm:ss"	Changes the time

Details: yyyy = Year (Gregorian)
 mm = Month (1 to 12)
 dd = Day (1 to 31)
 hh = Hour (0 to 23)
 mm = Minute (0 to 59)
 ss = Second (0 to 59)
 * DST (Daylight Saving Time) is not accounted for.

Response

Response string	Description
OK event MTX:AbsoluteTime "caught"	Time change complete

Example: Command: event MTX:AbsoluteTime "2013/1/25 11:56:14"
 Notification: OK event MTX:AbsoluteTime "caught"
 Meaning: Set the time to January 25, 2013, 11 hours 56 minutes 14 seconds.
 The time was set.

3-11) Time synchronization <New format>

Command	Option 1	Option 2	Description
event	MTX:SetAbsoluteTime	"yyyy/mm/dd hh:mm:ss"	Changes the time

Details: yyyy = Year (Gregorian)
 mm = Month (1 to 12)
 dd = Day (1 to 31)
 hh = Hour (0 to 23)
 mm = Minute (0 to 59)
 ss = Second (0 to 59)
 * DST (Daylight Saving Time) is not accounted for.

Response

Response string	Description
OK event MTX:SetAbsoluteTime "caught"	Time change complete

Example: Command: event MTX:SetAbsoluteTime "2013/1/25 11:56:14"
 Notification: OK event MTX:SetAbsoluteTime "caught"
 Meaning: Set the time to January 25, 2013, 11 hours 56 minutes 14 seconds.
 The time was set.

3-12) Time query

Command	Option 1	Option 2	Description
event	MTX:GetAbsoluteTime	""	Time query with absolute time

Response

Response string	Description
OK event MTX:GetAbsoluteTime "yyyy/mm/dd hh:mm:ss"	Current time info with absolute time

Details: yyyy = Year (Gregorian)
 mm = Month (1 to 12)
 dd = Day (1 to 31)
 hh = Hour (0 to 23)
 mm = Minute (0 to 59)
 ss = Second (0 to 59)
 * DST (Daylight Saving Time) is not accounted for.

Example: Command: event MTX:GetAbsoluteTime ""
 Notification: OK event MTX:GetAbsoluteTime "2014/1/25 11:56:14"
 Meaning: Get current time with absolute time
 Current time is January 25 2014, 11 hours 56 minutes 14 seconds

3-13) DST enable/disable setting

Command	Option 1	Option 2	Description
event	MTX:DSTSetEnable	"enable"	Set DST enable
		"disable"	Set DST disable

Response

Response string	Description
OK event MTX:DSTSetEnable "enable"	DST was enabled
OK event MTX:DSTSetEnable "disable"	DST was disabled

Example: Command: event MTX:DSTSetEnable "enable"
 Notification: OK event MTX:DSTSetEnable "enable"
 Meaning: Set DST enable
 DST was enabled

3-14) DST enable/disable query

Command	Option 1	Option 2	Description
event	MTX:DSTGetEnable	""	DST enable/disable query

Response

Response string	Description
OK event MTX:DSTGetEnable "enable"	DST is enable
OK event MTX:DSTGetEnable "disable"	DST is disable

Example: Command: event MTX:DSTGetEnable ""
 Notification: OK event MTX:DSTGetEnable "enable"
 Meaning: Get DST setting
 DST is enable

3-15) DST status query

Command	Option 1	Option 2	Description
event	MTX:DSTGetStatus	""	DST status query

Response

Response string	Description
OK event MTX:DSTGetStatus "on"	Working with DST
OK event MTX:DSTGetStatus "off"	Not working with DST

Example: Command: event MTX:DSTGetStatus ""
 Notification: OK event MTX:DSTGetStatus "on"
 Meaning: Get DST working status
 Working with DST

3-16) DST offset time setting

Command	Option 1	Option 2	Description
event	MTX:DSTSetOffset	"offset=hh:mm"	Set DST offset

Details: hh = Hour (0 to 2)
 mm = Minute (0 to 59)
 (Up to 2 hours can be set)

Response

Response string	Description
OK event MTX:DSTSetOffset "offset=hh:mm"	DST offset was set

Details: hh = Hour (0 to 2)
 mm = Minute (0 to 59)

Example: Command: event MTX:DSTSetOffset "offset=1:00"
 Notification: OK event MTX:DSTSetOffset "offset=1:00"
 Meaning: Set DST offset to 1 hour
 DST offset was set to 1 hour

3-17) DST offset time query

Command	Option 1	Option 2	Description
event	MTX:DSTGetOffset	""	Get DST offset

Response

Response string	Description
OK event MTX:DSTGetOffset "offset=hh:mm"	DST offset

Details: hh = Hour (0 to 2)
 mm = Minute (0 to 59)

Example: Command: event MTX:DSTGetOffset ""
 Notification: OK event MTX:DSTGetOffset "offset=01:00"
 Meaning: Get DST offset
 DST offset was set to 1 hour

3-18) DST start time setting

Command	Option 1	Option 2	Description
event	MTX:DSTSetStartTime	"time=hh:mm"	Set DST start time

Details: hh = Hour (0 to 23)
 mm = Minute (0 to 59)

Response

Response string	Description
OK event MTX:DSTSetStartTime "time=hh:mm"	DST start time was set

Details: hh = Hour (0 to 23)
 mm = Minute (0 to 59)

Example: Command: event MTX:DSTSetStartTime "time=12:00"
 Notification: OK event MTX:DSTSetStartTime "time=12:00"
 Meaning: Set DST start time to 12:00
 DST start time was set to 12:00

3-19) DST start time query

Command	Option 1	Option 2	Description
event	MTX:DSTGetStartTime	""	Get DST start time

Response

Response string	Description
OK event MTX:DSTGetStartTime "time=hh:mm"	DST start time

Details: hh = Hour (0 to 23)
 mm = Minute (0 to 59)

Example: Command: event MTX:DSTGetStartTime ""
 Notification: OK event MTX:DSTGetStartTime "time=12:00"
 Meaning: Get DST start time
 DST start time is 12:00

3-20) DST end time setting

Command	Option 1	Option 2	Description
event	MTX:DSTSetEndTime	"time=hh:mm"	Set DST end time

Details: hh = Hour (0 to 23)
 mm = Minute (0 to 59)

Response

Response string	Description
OK event MTX:DSTSetEndTime "time=hh:mm"	DST end time was set

Details: hh = Hour (0 to 23)
 mm = Minute (0 to 59)

Example: Command: event MTX:DSTSetEndTime "time=12:00"
 Notification: OK event MTX:DSTSetEndTime "time=12:00"
 Meaning: Set DST end time to 12:00
 DST end time was set to 12:00

3-21) DST end time query

Command	Option 1	Option 2	Description
event	MTX:DSTGetEndTime	""	Get DST end time

Response

Response string	Description
OK eventMTX:DSTGetEndTime "time=hh:mm"	DST end time

Details: hh = Hour (0 to 23)
 mm = Minute (0 to 59)

Example: Command: event MTX:DSTGetEndTime ""
 Notification: OK event MTX:DSTGetEndTime "time=12:00"
 Meaning: Get DST end time
 DST end time is 12:00

3-22) DST start/end days setting (day/week)

Command	Option 1	Option 2	Description
event	MTX:DSTSetDayWeek	"s_weekindex=xxxx s_day=yyyy s_month=zzzz e_weekindex=uuuu e_day=vvvv e_month=wwww"	Set DST start/end days by day and week

Details: xxxx = Start week (First, Second, Third, Fourth, Fifth, Last)
 yyyy = Start day (Sun, Mon, Tue, Wed, Thu, Fri, Sat)
 zzzz = Start month (Jan, Feb, Mar, Apr, May, Jun, Jul, Aug, Sep, Oct, Nov, Dec)
 uuuu = End week (First, Second, Third, Fourth, Fifth, Last)
 vvvv = End day (Sun, Mon, Tue, Wed, Thu, Fri, Sat)
 wwww = End month (Jan, Feb, Mar, Apr, May, Jun, Jul, Aug, Sep, Oct, Nov, Dec)

Response

Response string	Description
OK event MTX:DSTSetDayWeek "s_weekindex=xxxx s_day=yyyy s_month=zzzz e_weekindex=uuuu e_day=vvvv e_month=wwww"	DST start/end days by day and week was set

Details: xxxx = Start week (First, Second, Third, Fourth, Fifth, Last)
 yyyy = Start day (Sun, Mon, Tue, Wed, Thu, Fri, Sat)
 zzzz = Start month (Jan, Feb, Mar, Apr, May, Jun, Jul, Aug, Sep, Oct, Nov, Dec)
 uuuu = End week (First, Second, Third, Fourth, Fifth, Last)
 vvvv = End day (Sun, Mon, Tue, Wed, Thu, Fri, Sat)
 wwww = End month (Jan, Feb, Mar, Apr, May, Jun, Jul, Aug, Sep, Oct, Nov, Dec)

Example: Command: event MTX:DSTSetDayWeek "s_weekindex=Last|s_day=Sun|s_month=Mar|e_weekindex=Last|
 e_day=Sun|e_month=Oct"
 Notification: OK event MTX:DSTSetDayWeek "s_weekindex=Last|s_day=Sun|s_month=Mar|
 e_weekindex=Last|e_day=Sun|e_month=Oct"
 Meaning: Set DST start/end days as from last Sunday in March to last Sunday in October
 DST start/end days was set as from last Sunday in March to last Sunday in October

3-23) DST start/end days query (day/week)

Command	Option 1	Option 2	Description
event	MTX:DSTGetDayWeek	""	Get DST start/end days by day and week

Response

Response string	Description
OK event MTX:DSTGetDayWeek "s_weekindex=xxxx s_day=yyyy s_month=zzzz e_weekindex=uuuu e_day=vvvv e_month=www"	DST start/end days by day and week

Details: xxxx = Start week (First, Second, Third, Fourth, Fifth, Last)
 yyyy = Start day (Sun, Mon, Tue, Wed, Thu, Fri, Sat)
 zzzz = Start month (Jan, Feb, Mar, Apr, May, Jun, Jul, Aug, Sep, Oct, Nov, Dec)
 uuuu = End week (First, Second, Third, Fourth, Fifth, Last)
 vvvv = End day (Sun, Mon, Tue, Wed, Thu, Fri, Sat)
 www = End month (Jan, Feb, Mar, Apr, May, Jun, Jul, Aug, Sep, Oct, Nov, Dec)

Example: Command: event MTX:DSTGetDayWeek ""
 Notification: OK event MTX:DSTGetDayWeek "s_weekindex=Last|s_day=Sun|s_month=Mar|e_weekindex=Last|e_day=Sun|e_month=Oct"
 Meaning: Get DST start/end days by day and week
 DST start/end days is set as from last Sunday in March to last Sunday in October

Note: When DST is set not by "day and week" but by "day", error returns.

3-24) DST start/end days setting (day)

Command	Option 1	Option 2	Description
event	MTX:DSTSetDay	"s_month=xxx s_date=yyyy e_month=zzzz e_date=www"	Set DST start/end days by day

Details: xxxx = Start month (Jan, Feb, Mar, Apr, May, Jun, Jul, Aug, Sep, Oct, Nov, Dec)
 yyyy = Start day (1 ~ 31)
 zzzz = End month (Jan, Feb, Mar, Apr, May, Jun, Jul, Aug, Sep, Oct, Nov, Dec)
 www = End day (1 ~ 31)

Response

Response string	Description
OK event MTX:DSTSetDay "s_month=xxx s_date=yyyy e_month=zzzz e_date=www"	DST start/end days by day was set

Details: xxxx = Start month (Jan, Feb, Mar, Apr, May, Jun, Jul, Aug, Sep, Oct, Nov, Dec)
 yyyy = Start day (1 ~ 31)
 zzzz = End month (Jan, Feb, Mar, Apr, May, Jun, Jul, Aug, Sep, Oct, Nov, Dec)
 www = End day (1 ~ 31)

Example: Command: event MTX:DSTSetDay "s_month=Mar|s_date=10|e_month=Nov|e_day=3"
 Notification: OK event MTX:DSTSetDay "s_month=Mar|s_date=10|e_month=Nov|e_day=3"
 Meaning: Set DST start/end days as from March 10 to November 3
 DST start/end days was set as from March 10 to November 3

3-25) DST start/end days query (day)

Command	Option 1	Option 2	Description
event	MTX:DSTGetDay	""	Set DST start/end days by day

Response

Response string	Description
OK event MTX:DSTGetDay "s_month=xxxx s_date=yyyy e_month=zzzz e_date=wwww"	DST start/end days by day

Details: xxxx = Start month (Jan, Feb, Mar, Apr, May, Jun, Jul, Aug, Sep, Oct, Nov, Dec)
 yyyy = Start day (1 ~ 31)
 zzzz = End month (Jan, Feb, Mar, Apr, May, Jun, Jul, Aug, Sep, Oct, Nov, Dec)
 wwww = End day (1 ~ 31)

Example: Command: event MTX:DSTGetDay ""
 Notification: OK event MTX:DSTGetDay "s_month=Mar|s_date=10|e_month=Nov|e_day=3"
 Meaning: Get DST start/end days by date
 DST start/end days is from March 10 to November 3

Note: When DST is set not by "day" but by "day and week", error returns.

3-26) DST start/end days setting query

Command	Option 1	Option 2	Description
event	MTX:DSTGetDaySetting	""	Get DST start/end days format, "day and week" or "day"

Response

Response string	Description
OK event MTX:DSTGetDaySetting "setting=dayweek"	DST start/end days are set by "day and week"
OK event MTX:DSTGetDaySetting "setting=day"	DST start/end days are set by "day"

Example: Command: event MTX:DSTGetDaySetting ""
 Notification: OK event MTX:DSTGetDaySetting "setting=dayweek"
 Meaning: Get DST start/end days format, "day and week" or "day"
 DST start/end days were set by "day and week"

3-27) Current folder information query

Command	Option 1	Option 2	Description
event	MTX:AudioPlayerGetCurrentDir	""	Queries the current folder information.

Response

Response string	Description
OK event MTX:AudioPlayerGetCurrentDir "dirpath=xxxx dirname=yyyy subdirname=zzzz filenum=wwww"	Current folder information
OKm event MTX:AudioPlayerGetCurrentDir "sdcard is not inserted"	There is no SD memory card inserted.

* OKm is returned if there is no SD memory card inserted.

Details: xxxx = Directory path (index expression)
 0 : Root Folder Number(the root folder number is always fixed at 0)
 0/nnnn : Root Folder Number/Sub Folder Number
 yyyy = Directory name (name of the folder)
 zzzz = The number of sub folders in the current directory
 wwww = The number of files in the current directory

Example: Command: event MTX:AudioPlayerGetCurrentDir ""
 Notification: OK event MTX:AudioPlayerGetCurrentDir "dirpath=0|dirname=|subdirname=4|filenum=2"
 Meaning: Query the current folder information.
 The current folder contains four directories and two files.

3-28) Current folder move query

Command	Option 1	Option 2	Description
event	MTX:AudioPlayerSetCurrentDir	"dirpath=0"	Moves the current folder(To root folder)
		"dirpath=0/nnnn"	Moves the current folder(To sub folder)

Details: Directory path (index expression)
 0 : Root Folder Number(the root folder number is always fixed at 0)
 0/nnnn : Root Folder Number/Sub Folder Number

Note: The range of sub folder is "0" to "total number of sub folders - 1".
 Use "3-27) Current folder information query" to get total number of sub folders
 Song files in root folder of SD card and song files in sub folders of root folder are supported. Files placed in "deeper" folders are not supported.

Response

Response string	Description
OK event MTX:AudioPlayerSetCurrentDir "dirpath=xxxx dirname=yyyy subdirname=zzzz filenum=www"	Current folder information
OKm event MTX:AudioPlayerSetCurrentDir "sdcard is not inserted"	There is no SD memory card inserted.

* OKm is returned if there is no SD memory card inserted.

Details: xxxx = Directory path (index expression)
 0 : Root Folder Number(the root folder number is always fixed at 0)
 0/nnnn : Root Folder Number/Sub Folder Number
 yyyy = Directory name (name of the folder)
 zzzz = The number of sub folders in the current directory
 www = The number of files in the current directory

Example: Command: event MTX:AudioPlayerSetCurrentDir "dirpath=0/1"
 Notification: OK event MTX:AudioPlayerSetCurrentDir "dirpath=0/1|dirname=songs|subdirname=0|filenum=3"
 Meaning: Make the 0/1 (index expression) directory the current directory.
 The 0/1 (index expression) directory was made the current directory. This folder contains no sub directories and three files.
 * "0/1" expresses the root folder number/sub folder number (the root folder number is always fixed at 0).

3-29) Folder name query

Command	Option 1	Option 2	Description
event	MTX:AudioPlayerGetDirName	"dirindex=xxxx"	Folder name query

Details: xxxx = Folder index number

Note: The range of index numbers is "0" to "total number of sub folders - 1".
 Use "3-27) Current folder information query" or "3-28) Current folder move query" to get total number of sub folders.
 This command is valid only when current folder is "route", otherwise (when current folder is sub folder) error will return.

Response

Response string	Description
OK event MTX:AudioPlayerGetDirName "dirname=xxxx"	Folder name
OKm event MTX:AudioPlayerGetDirName "sdcard is not inserted"	There is no SD memory card inserted.

* OKm is returned if there is no SD memory card inserted.

Details: xxxx = Folder name

Example: Command: event MTX:AudioPlayerGetDirName "dirindex=1"
 Notification: OK event MTX:AudioPlayerGetDirName "dirname=songs"
 Meaning: Query the directory name of folder index number 1 (index expression).
 The directory name is "songs".

3-30) File name query

Command	Option 1	Option 2	Description
event	MTX:AudioPlayerGetFileName	"fileindex=xxxx"	File name query

Details: xxxx = File index number

Note: The range of index numbers is "0" to "total number of files - 1".
Use "3-27) Current folder information query" or "3-28) Current folder move query" to get total number of files.

Response

Response string	Description
OK event MTX:AudioPlayerGetFileName "filename=xxxx"	File name
OKm event MTX:AudioPlayerGetFileName "sdcard is not inserted"	There is no SD memory card inserted.

* OKm is returned if there is no SD memory card inserted.

Details: xxxx = File name

Example: Command: event MTX:AudioPlayerGetFileName "fileindex=1"
Notification: OK event MTX:AudioPlayerGetFileName "filename=xxxx.mp3"
Meaning: Query the file name of file index number 1 (index expression).
The file name is "xxxx.mp3".

3-31) Folder name list query

Command	Option 1	Option 2	Description
event	MTX:AudioPlayerGetDirNameList	"dirindex=XXXX-xxxx"	Folder name list: Multiple folder name query

Details: XXXX = the first index number of desired range for list (index expression)
 xxxx = the last index number of desired range for list (index expression)
 → Cannot be set to a value greater than the number of folders.
 → The first number cannot be greater than the last number.
 → By changing the first and last numbers, you can query the list of folder names in that range.

Note: "XXXX" should be 0 or greater.
 "xxxx" should be smaller total number of sub folders - 1 or smaller.
Use "3-27) Current folder information query" or "3-28) Current folder move query" to get total number of sub folders.

Response

Response string	Description
OK event MTX:AudioPlayerGetDirNameList "dirindex=XXXX-xxxx dirname0=yyyy ... "	Folder name list
OKm event MTX:AudioPlayerGetDirNameList "sdcard is not inserted"	There is no SD memory card inserted.

* OKm is returned if there is no SD memory card inserted.

Details: XXXX = the first index number of desired range for list (index expression)
 xxxx = the last index number of desired range for list (index expression)
 yyyy = Directory names

Example: Command: event MTX:AudioPlayerGetDirNameList "dirindex=0-1"
Notification: OK event MTX:AudioPlayerGetDirNameList "dirindex=0-1|dirname0=Folder #1|dirname1=Folder #2"
Meaning: Query the directory names of folder list number 0 and 1 (index expression).
The directory name of folder list number 0 is "Folder #1", and that of folder list number 1 is "Folder #2".

3-32) File name list query

Command	Option 1	Option 2	Description
event	MTX:AudioPlayerGetFileNameList	"fileindex=XXXX-xxxx"	Folder name list: Multiple file name query

Details: XXXX = the first index number of desired range for list (index expression)
 xxxx = the last index number of desired range for list (index expression)
 → Cannot be set to a value greater than the number of files.
 → The first number cannot be greater than the last number.
 → By changing the first and last numbers, you can query the list of file names in that range.

Note: "XXXX" should be 0 or greater.
 "xxxx" should be smaller total number of sub folders - 1 or smaller.
 Use "3-27) Current folder information query" or "3-28) Current folder move query" to get total number of files.

Response

Response string	Description
OK event MTX:AudioPlayerGetFileNameList "fileindex=XXXX-xxxx filename0=yyyy ... "	File name list
OKm event MTX:AudioPlayerGetFileNameList "sdcard is not inserted"	There is no SD memory card inserted.

* OKm is returned if there is no SD memory card inserted.

Details: XXXX = the first index number of desired range for list (index expression)
 xxxx = the last index number of desired range for list (index expression)
 yyyy= File names

Example: Command: event MTX:AudioPlayerGetFileNameList "fileindex=0-1"
 Notification: OK event MTX:AudioPlayerGetFileNameList "fileindex=0-1|filename0=xxxx.mp3|filename1=xxxx2.mp3"
 Meaning: Query the file names of file list number 0 and 1 (index expression).
 The file name of file list number 0 is "xxxx.mp3", and that of file list number 1 is "xxxx2.mp3".

3-33) Song play mode query

Command	Option 1	Option 2	Description
event	MTX:AudioPlayerGetPlayMode	""	Queries the play mode

Response

Response string	Description
OK event MTX:AudioPlayerGetPlayMode "playmode=one"	One song play mode
OK event MTX:AudioPlayerGetPlayMode "playmode=repeat one"	One song repeat
OK event MTX:AudioPlayerGetPlayMode "playmode=all"	All song play
OK event MTX:AudioPlayerGetPlayMode "playmode=repeat all"	All songs repeat
OK event MTX:AudioPlayerGetPlayMode "playmode=shuffle"	Shuffle repeat
OKm event MTX:AudioPlayerGetPlayMode "sdcard is not inserted"	There is no SD memory card inserted.

* OKm is returned if there is no SD memory card inserted.

Example: Command: event MTX:AudioPlayerGetPlayMode ""
 Notification: OK event MTX:AudioPlayerGetPlayMode "playmode=one"
 Meaning: Query the play mode.
 The play mode is set to one song play mode.

3-34) Song play mode setting

Command	Option 1	Option 2	Description
event	MTX:AudioPlayerSetPlayMode	"playmode=one"	One song play mode
		"playmode=repeat one"	One song repeat
		"playmode=all"	All song play
		"playmode=repeat all"	All songs repeat
		"playmode=shuffle"	Shuffle repeat

Response

Response string	Description
OK event MTX:AudioPlayerSetPlayMode "playmode=one"	One song play mode
OK event MTX:AudioPlayerSetPlayMode "playmode=repeat one"	One song repeat
OK event MTX:AudioPlayerSetPlayMode "playmode=all"	All song play
OK event MTX:AudioPlayerSetPlayMode "playmode=repeat all"	All songs repeat
OK event MTX:AudioPlayerSetPlayMode "playmode=shuffle"	Shuffle repeat
OKm event MTX:AudioPlayerSetPlayMode "sdcard is not inserted"	There is no SD memory card inserted.

* OKm is returned if there is no SD memory card inserted.

Example: Command: event MTX:AudioPlayerSetPlayMode "playmode=one"
Notification: OK event MTX:AudioPlayerSetPlayMode "playmode=one"
Meaning: Set the play mode to one song play mode.
The play mode was set to one song play mode.

3-35) Song playback status query

Command	Option 1	Option 2	Description
event	MTX:AudioPlayerGetStatus	""	Song playback status query

Response

Response string	Description
OK event MTX:AudioPlayerGetStatus "status=stop"	Stop
OK event MTX:AudioPlayerGetStatus "status=play"	Play
OK event MTX:AudioPlayerGetStatus "status=pause"	Pause
OKm event OK event MTX:AudioPlayerGetStatus "sdcard is not inserted"	There is no SD memory card inserted.

* OKm is returned if there is no SD memory card inserted.

Example: Command: event MTX:AudioPlayerGetStatus ""
Notification: OK event MTX:AudioPlayerGetStatus "status=stop"
Meaning: Query the song playback status.
Stopped

3-36) Play, stop, and other transport operation

Command	Option 1	Option 2	Description
event	MTX:AudioPlayerTransport	"operation=stop"	Stop
		"operation=play"	Play
		"operation=pause"	Pause
		"operation=prev"	Beginning of the previous song
		"operation=next"	Next song

Response

Response string	Description
OK event MTX:AudioPlayerTransport "operation=stop"	Stop
OK event MTX:AudioPlayerTransport "operation=play"	Play
OK event MTX:AudioPlayerTransport "operation=pause"	Pause
OK event MTX:AudioPlayerTransport "operation=prev"	Beginning of the previous song
OK event MTX:AudioPlayerTransport "operation=next"	Next song
OKm event MTX:AudioPlayerTransport "sdcard is not inserted"	There is no SD memory card inserted.
OKm event MTX:AudioPlayerTransport "song is not set up"	The playback song is not specified.

* OKm is returned if there is no SD memory card inserted or the playback song is not specified.

Example: Command: event MTX:AudioPlayerTransport "operation=stop"
 Notification: OK event MTX:AudioPlayerTransport "operation=stop"
 Meaning: Stop playback.
 Playback was stopped.

3-37) Currently playing or selected song information query

Command	Option 1	Option 2	Description
event	MTX:AudioPlayerGetCurrentSong	""	Queries the currently playing or selected song information

Response

Response string	Description
OK event MTX:AudioPlayerGetCurrentSong "dirpath=xxxx dirname=yyyy fileindex=zzzz filename=www"	Currently playing or selected song information
OKm event MTX:AudioPlayerGetCurrentSong "sdcard is not inserted"	There is no SD memory card inserted.
OKm event MTX:AudioPlayerGetCurrentSong "song is not set up"	The playback song is not specified.

* OKm is returned if there is no SD memory card inserted or the playback song is not specified.

Details: xxxx = Directory path (index expression)
 0 : Root Folder Number(the root folder number is always fixed at 0)
 0/nnnn : Root Folder Number/Sub Folder Number
 yyyy = Directory name (name of the folder)
 zzzz = File index number
 www = File name

Example: Command: event MTX:AudioPlayerGetCurrentSong ""
 Notification: OK event MTX:AudioPlayerSetCurrentSong "dirpath=0/1|dirname=Folder #1|fileindex=2|filename=xxx.mp3"
 Meaning: Query the information of the song currently being played.
 The song that is being played is index number 2 "xxx.mp3" in the "Folder #1" folder of directory path 0/1 (index expression).
 * "0/1" expresses the root folder number/sub folder number (the root folder number is always fixed at 0).

3-38) Playback song designation

Command	Option 1	Option 2	Description
event	MTX:AudioPlayerSetCurrentSong	"dirpath=xxxx fileindex=yyyy"	Playback song designation

Details: xxxx= Directory path (index expression)
 0 : Root Folder Number(the root folder number is always fixed at 0)
 0/nnnn : Root Folder Number/Sub Folder Number
 yyyy= File index number

Note: The range of sub folder numbers is "0" to "total number of sub folders - 1".
 The range of file numbers is "0" to "total number of files - 1".
 Use "3-27) Current folder information query" or "3-28) Current folder move query" to get total number of sub folders and files.
 Song files in root folder of SD card and song files in sub folders in root folder are supported. Files placed in "deeper" folder can't be supported.

Response

Response string	Description
OK event MTX:AudioPlayerSetCurrentSong "dirpath=xxxx dirname=yyyy fileindex=zzzz filename=www"	The specified song that will be played
OKm event MTX:AudioPlayerSetCurrentSong "sdcard is not inserted"	There is no SD memory card inserted.

* OKm is returned if there is no SD memory card inserted.

Details: xxxx = Directory path (index expression)
 0 : Root Folder Number(the root folder number is always fixed at 0)
 0/nnnn : Root Folder Number/Sub Folder Number
 yyyy = Directory name (name of the folder)
 zzzz = File index number
 www = File name

Example: Command: event MTX:AudioPlayerSetCurrentSong "dirpath=0/1|fileindex=2"
 Notification: OK event MTX:AudioPlayerSetCurrentSong "dirpath=0/1|dirname=Folder #1|fileindex=2|filename=xxx.mp3"
 Meaning: Play the file at file index number 2 in the directory path 0/1 folder (index expression).
 The playback song was set to file index number 2 "xxx.mp3" in "Folder #1" folder of directory path 0/1 (index expression).
 * "0/1" expresses the root folder number/sub folder number (the root folder number is always fixed at 0).

3-39) MTX Editor synchronization processing query

Command	Option 1	Option 2	Description
event	MTX:SynchronizationGetStatus	""	MTX Editor synchronization processing query

Response

Response string	Description
OK event MTX:SynchronizationGetStatus "active"	In the process of synchronizing
OK event MTX:SynchronizationGetStatus "inactive"	Not in the process of synchronizing

Example: Command: event MTX:SynchronizationGetStatus ""
 Notification: OK event MTX:SynchronizationGetStatus "inactive"
 Meaning: Query the synchronization status between the MTX and MTX Editor.
 Not in the process of synchronizing

Note: The character encoding for directory and file names conforms to the setting specified by the scpmode encoding command.

3-40) Number of alert event log query

Command	Option 1	Option 2	Description
event	MTX:EventLogGetLogNumber	""	Number of event log query

Response

Response string	Description
OK event MTX:EventLogGetLogNumber "lognum=xxxx"	Number of event log

Details: xxxx= number of event log

Example: Command: event MTX:EventLogGetLogNumber ""
Notification: OK event MTX:EventLogGetLogNumber "lognum=6"
Meaning: Query the number of event logs
Number of event log is 6

3-41) Alert event log query

Command	Option 1	Option 2	Description
event	MTX:EventLogGetLog	"logindex=xxxx"	Event log query

Details: xxxx= Index number of event log

Note: The range of index numbers is "0" to "total number of event logs - 1".
Use "3-40) Number of alert event log query" to get total number of event logs.

Response

Response string	Description
OK event MTX:EventLogGetLog "logxxxx=(AlertData)"	Event log

Details: xxxx= Index number of event log
(AlertData)= "**flt**/message// xnnn onf (sssss) **ID**-xxx yyyy/mm/dd hh:mm:ss"
"**err**/message// xnnn onf (sssss) **ID**-xxx yyyy/mm/dd hh:mm:ss"
"**wrn**/message// xnnn onf (sssss) **ID**-xxx yyyy/mm/dd hh:mm:ss"
First 3 letter describes type of event (i.e. flt = fault, err = error, wrn = warning)
message = Alert message string - Maximum 32 letter (ascii character)
nnn = Alert number (same as number displayed on front panel of device)
- 2 or 3 digit hexadecimal.
onf = alert ON/OFF
Event of status change (e.g. wordclock unlock) sends ON when the remarkable
event starts, sends OFF when the event ends.
Momentary event (e.g. SD card player error) sends only ON when it happens.
sssss = counter of alarm (Count up same Alert, normally as 1) as decimal counter.
xxx = UNIT ID as 3 degit hexadecimal.
yyyy = Year (Gregorian)
mm = Month (1 to 12)
dd = Day (1 to 31)
hh = Hour (0 to 23)
mm = Minute (0 to 59)
ss = Second (0 to 59)

Example: Command: event MTX:EventLogGetLog "logindex=2"
Notification: OK event MTX:EventLogGetLog "log2=err/DCP[0] communication error// x53 on (1) ID-001
2013/1/22 11:38:23"
Meaning: Query of event log at index number 2.
Event log of index no.2 is error alert no. 53.

3-42) Query for alert event log as list

Command	Option 1	Option 2	Description
event	MTX:EventLogGetLogList	"logindex=xxxx-xxxx"	Query for event log list

Details: xxxx-xxxx= First index number - Last index number

Note: The range of index numbers is "0" to "total number of event logs - 1".
 Use "3-40) Number of alert event log query" to get total number of event logs.

Remark: Do not allow exceed number of event log.
 First index number should be less than Last index number.
 One message can query up to 10 logs.

Response

Response string	Description
OK event MTX:EventLogGetLogList "logindex=x-x log0=(AlertData) log1=(AlertData) ..."	Query for event log as list

Details: xxxx-xxxx= First index number - Last index number
 (AlertData)= "**flt**/message// xnnn onf (sssss) **ID**-xxx yyyy/mm/dd hh:mm:ss"
 "**err**/message// xnnn onf (sssss) **ID**-xxx yyyy/mm/dd hh:mm:ss"
 "**wrn**/message// xnnn onf (sssss) **ID**-xxx yyyy/mm/dd hh:mm:ss"
 First 3 letter describes type of event
 message = Alert message string - Maximum 32 letter (ascii character)
 nnn = Alert number (same as number displayed on front panel of device)
 - 2 or 3 digit hexadecimal.
 onf = alert ON/OFF
 Event of status change (e.g. wordclock unlock) sends ON when the remarkable
 event starts, sends OFF when the event ends.
 Momentary event (e.g. SD card player error) sends only ON when it happens.
 sssss = counter of alarm (Count up same Alert, normally as 1) as decimal counter.
 xxx = UNIT ID as 3 degit hexadecimal.
 yyyy = Year (Gregorian)
 mm = Month (1 to 12)
 dd = Day (1 to 31)
 hh = Hour (0 to 23)
 mm = Minute (0 to 59)
 ss = Second (0 to 59)

Example: command: event MTX:EventLogGetLogList "logindex=0-5"
 Notification: OK event MTX:EventLogGetLogList logindex=0-5|log0=err/DCP[0] communication error// x53 on (1)
 ID-001 2013/1/22 11:38:23|log1=flt/System error// x01 on
 Meanings: Query for list of event log of index number 0 to 5.
 Alert of index number 0 to 5 is, index number 0, error alert no.53/ index number 1, error alert

3-43) Clear alert event log

Command	Option 1	Option 2	Description
event	MTX:EventLogClear	""	Clear event log

Response

Response string	Description
OK event MTX:EventLogClear "lognum=0"	Number of cleared event log

Example: Command: event MTX:EventLogClear ""
 Notification: OK event MTX:EventLogClear "lognum=0"
 Meaning: Clear event log
 Cleared event log

3.5. Command Errors

3.5.1. Command Error Notifications

Error notification that indicates errors in commands.

If an error is found when the command is sent, this notification is returned instead of the normal successful notification.

[Notification syntax] ERROR <command name> <error code>

Command name	Alphanumeric	Name of the command that caused the error
Error code	Alphanumeric	Error description * See the error codes below.

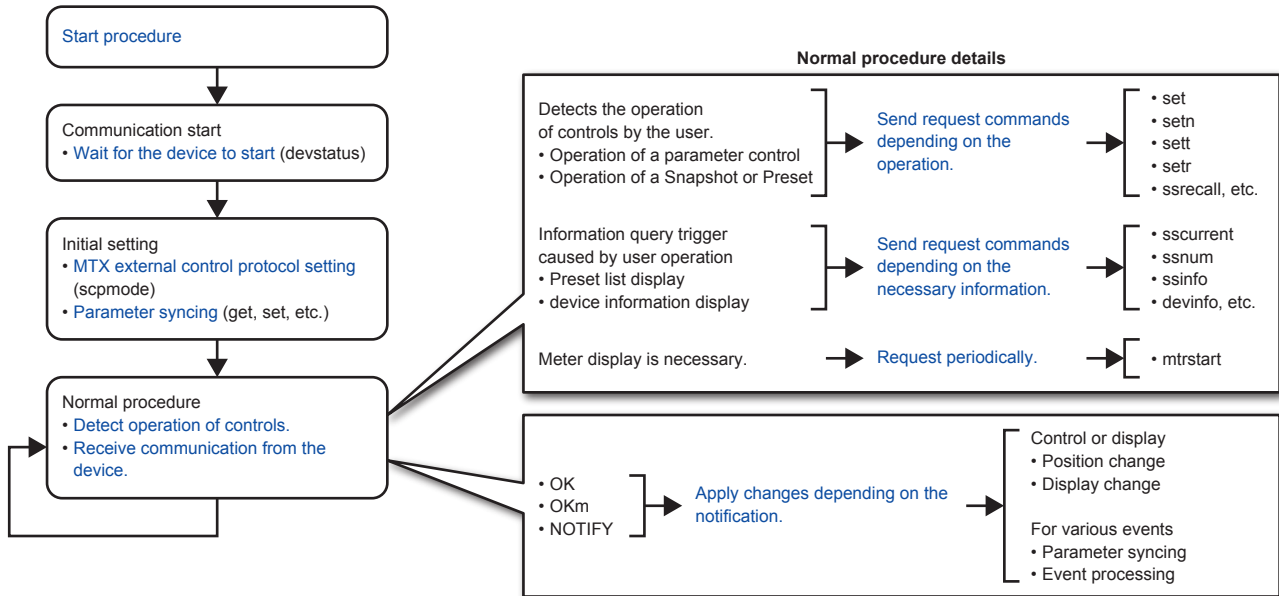
Error code

Error code	Description
UnknownCommand	Ignored because it was an unknown command.
WrongFormat	Ignored because the command parameter format was wrong and could not be interpreted. Examples: The number of parameters is wrong. The parameter syntax is wrong.
InvalidArgument	Ignored because the command parameter content was outside the appropriate range and could not be interpreted. Examples: The parameter value is outside the range. The parameter syntax does not comply with the specifications. The letter case of the parameter is wrong.
UnknownAddress	Ignored because the specified address does not exist.
UnknownEventID	Ignored because the specified event ID does not exist.
TooLongCommand	Could not be interpreted because the command was too long.
AccessDenied	Procedure rejected because the peer device is not in a normal running state. Examples: Rejected because an ssrecall command was received in emergency run mode.
Busy	The device is busy processing; it can't receive commands.
ReadOnly	Ignored because an attempt was made to set a parameter at a read-only address.
NoPermission	Ignored because you do not have access permission.
InternalError	An internal error may have occurred. Examples: Failed to process the command. Attempted to query or change the value of a parameter that does not exist in the device.

4. Command Sequence

Below are examples of how to process remote control.

When viewed from the controller, the following major phases exist in order to perform remote control.



The controller designer needs to design and implement the blue items in the above figure. The detailed sequences of various procedures are provided below.

4.1. Communication start sequence

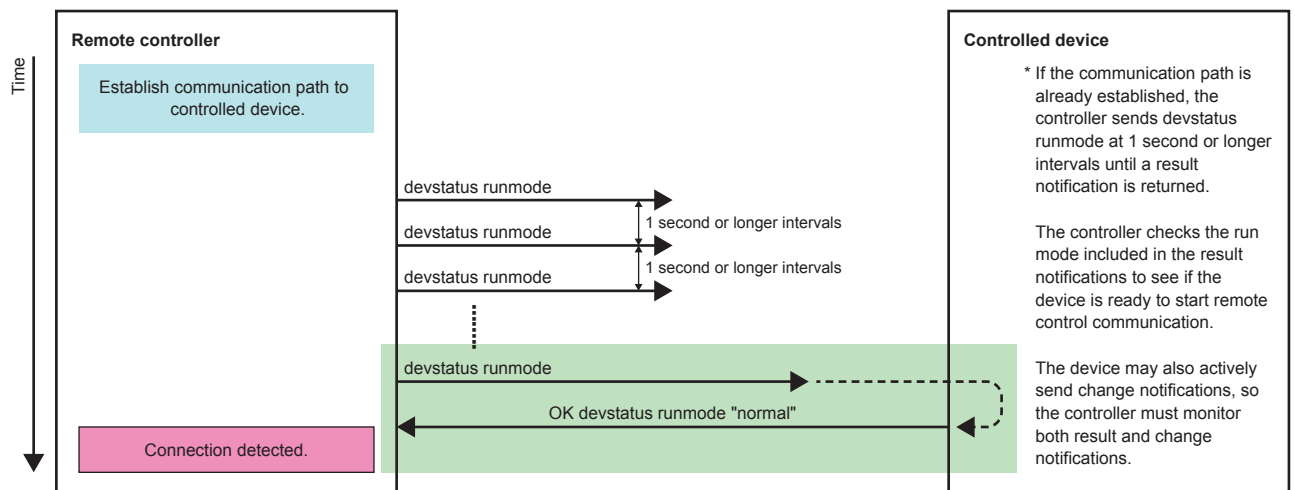
The amount of time for the controller and the controlled device to start is different.

Remote control is an act of controlling the controlled device from the controller, so the controller must wait for the controlled device to become ready.

The controller needs to wait using the sequence below.

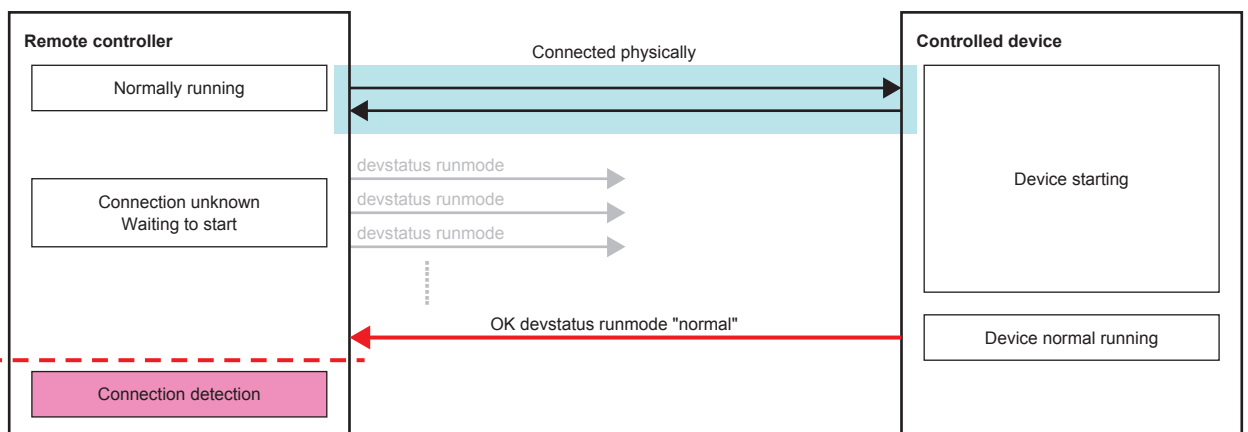
1. If an Ethernet connection is required, the remote controller needs to establish a logical session, with the MTX device(s) based on IP address(es) and port number.
(This is not necessary for a connection that only needs to be connected physically, as in RS-232C.)
2. After the session is established, the controller sends devstatus commands at 1 second or longer intervals.
3. If "OK devstatus runmode" is returned, the controller should check the information.
4. If the controller determines that the controlled device is in normal running mode, the controller can start sending command strings to change parameter value and preset etc. If the controlled device is not in normal running mode, the controller continues trying.

Note: In order to establish remote control communication, the external controller must send [devstatus runmode] command to the device and await response. When the device responds as [OK devstatus runmode "normal"], the device is ready to receive commands.

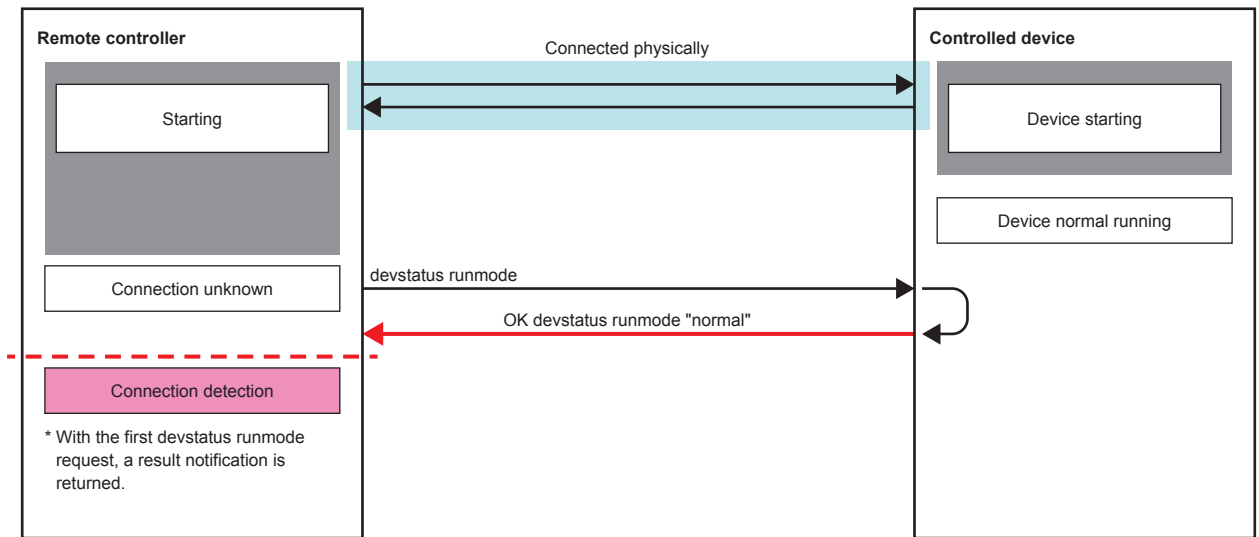


The reason for using such a sequence is provided below.

Example when the controller starts earlier than the controlled device



Example when the controlled device starts earlier than the controller



Controller can recognize that Controlled device is ready to receive commands when there is response for "devstatus runmode" command.

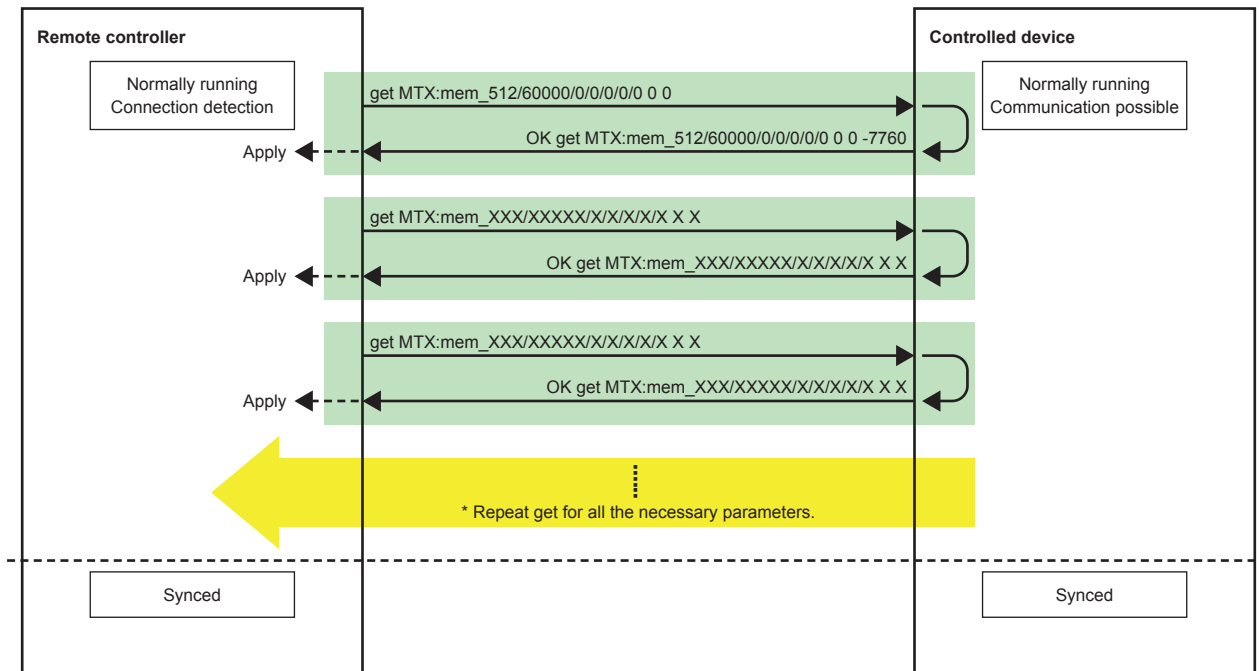
In case of Ethernet connection, Ethernet logical session (e.g. port open) should be established before sending "devstatus runmode".

4.2. Parameter sync sequence

Immediately after communication starts, the controller does not know anything about the most recent status of the controlled device. Therefore, the controller must query all parameters that it plans to handle.

This also applies for when preset recall is executed, because the controller does not know how the device has changed.

Querying the most recent status of the controlled device or when a snapshot recall occurs



Example 1: Query the DCA fader value.

```
get MTX:mem_512/60000/0/0/0/0 0 0
Query the 1ch level of the DCA fader with raw values.
OK get MTX:mem_512/60000/0/0/0/0 0 0 -7760
The 1ch level of the DCA fader is -77.60.
```

Example 2: Set the DCA fader value.

```
set MTX:mem_512/60000/0/0/0/0 0 0 -7760
Set the 1ch level of the DCA fader to a raw value of -77.60.
OK set MTX:mem_512/60000/0/0/0/0 0 0 -7760 "-77.60"
The 1ch level of the DCA fader was set to "-77.60".
```

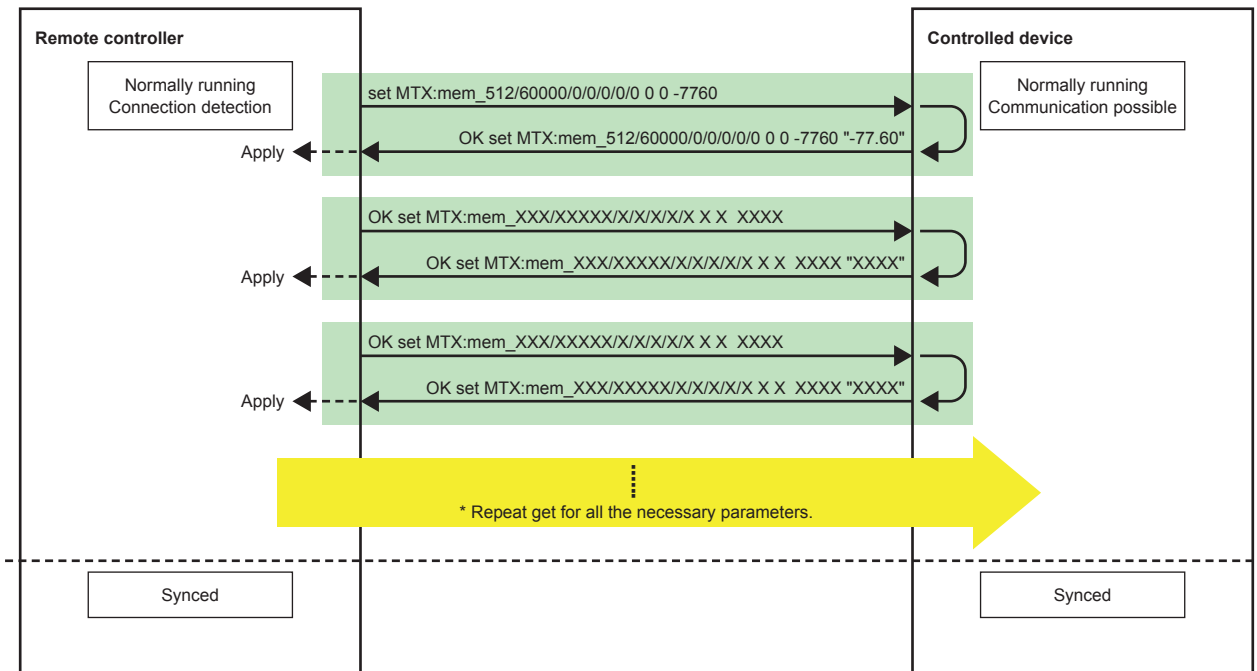
Executing this sequence synchronizes the status with the controlled device.

However, if the controller receives a change notification from the controlled device during this query sequence, the controller needs to query again.

Note that, as with a GPI controller made by user, if you want to apply the physical positions of the controller to the device, there is no need to execute the above sequence.

If you want to apply the physical positions of the controller to the device immediately after a connection is established, without any user interaction, simply use set commands to do so.

Applying the most recent status of the controller to the device



Depending on the controller specifications, the above two sequences may be used in combination.

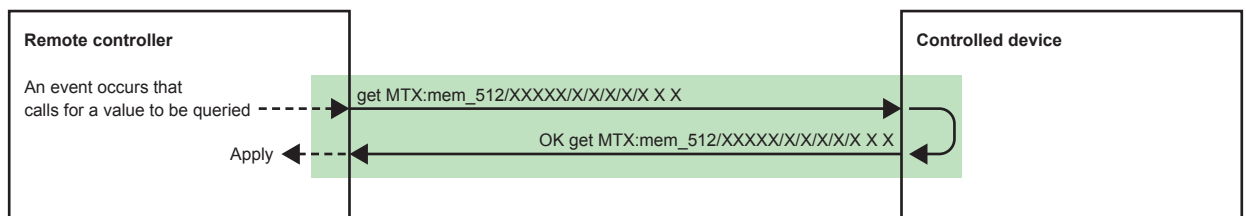
Example: The GPI fader uses the status of the controller, but other parameters use the status of the controlled device.

4.3. Parameter query sequence at any given time

LEDs and displays on the GUI

Indications are updated on the basis of the result notifications returned after the processing of the set commands.

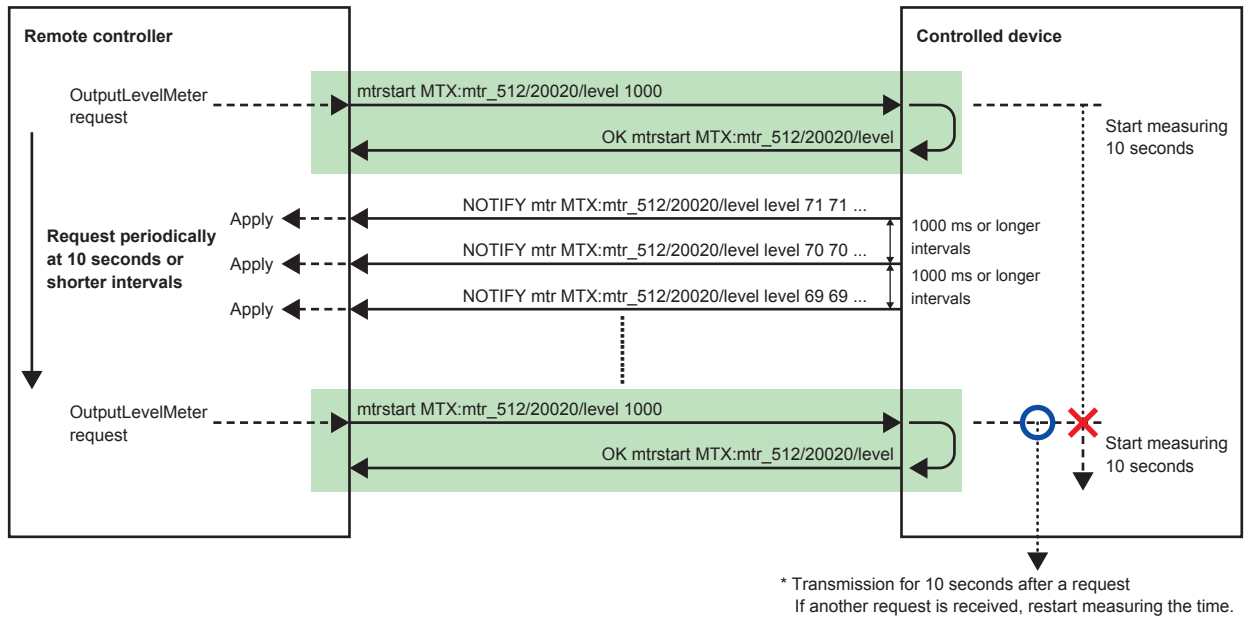
Alternatively, send an explicit get request and apply the result to the indications, as shown below.



One example of using this sequence would be for refreshing the UI after boot-up or after changing tabs.

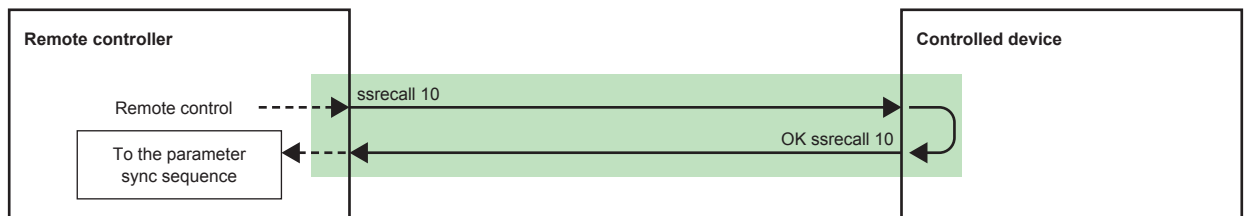
4.4. Meter data request/query sequence

The controller requests meter data by specifying the meter data address and the minimum transmission interval. The meter transmission stops after 10 seconds. To continue receiving data, make another request before the 10 seconds pass.



4.5. Preset recall request sequence

Upon receiving a result notification in response to a Preset Recall request, you need to execute the parameter sync sequence.



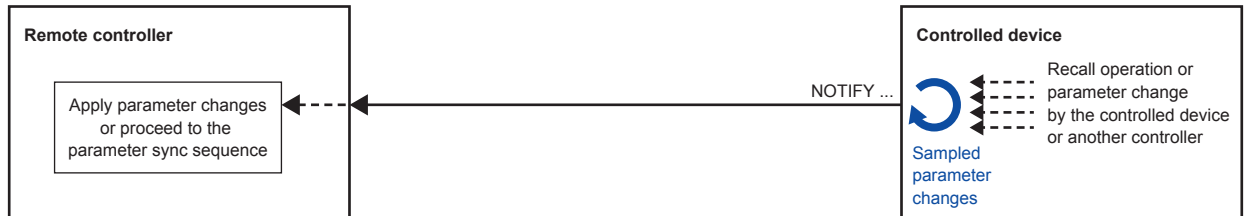
In addition, if a Preset recall occurs internally in the controlled device (e.g. by front panel button press) or when such a request is received from another controller, the controller receives a change notification that indicates that all parameters have changed (see the next section). If this occurs, the controller needs to execute the parameter sync sequence.

4.6. Sequence when parameters are changed by another controller

If the controller sends a parameter set request, a change notification is returned immediately.

However, if parameters change internally in the controlled device (this includes changes in parameters that occur as a result of a controller operation on another parameter) or due to a request from another controller, a parameter change notification is received, as shown below.

The controller receiving a parameter change notification updates its own status if necessary.



The way in which parameter change notifications are sent varies depending on the value notification mode specified in the MTX external control protocol mode.

Advice for choosing normalized/raw value mode.

If you want to handle a value with a given range, such as in an MIDI controller,

- Set the value notification mode to normalized value notification mode, and specify the required resolution.
- Use setn/getn to perform processing from the controller.
- Apply changes to the controller according to NOTIFY setn.

Conversely, for a highly functional PC application where you want to use all the internal parameters,

- Set the MTX external control protocol mode to raw value mode.
- Use set/get to perform processing from the controller.
- Apply changes to the controller according to NOTIFY set.
- Use setn/getn for certain parameters when necessary.

5. Meter Value

Level Meter, Hold Meter, GR Meter

Value	Data	Value	Data	Value	Data	Value	Data
00	-126dBFS or less	20	-94dBFS	40	-62dBFS	60	-30dBFS
01	-125dBFS	21	-93dBFS	41	-61dBFS	61	-29dBFS
02	-124dBFS	22	-92dBFS	42	-60dBFS	62	-28dBFS
03	-123dBFS	23	-91dBFS	43	-59dBFS	63	-27dBFS
04	-122dBFS	24	-90dBFS	44	-58dBFS	66	-26dBFS
05	-121dBFS	25	-89dBFS	45	-57dBFS	65	-25dBFS
06	-120dBFS	26	-88dBFS	46	-56dBFS	66	-24dBFS
07	-119dBFS	27	-87dBFS	47	-55dBFS	67	-23dBFS
08	-118dBFS	28	-86dBFS	48	-54dBFS	68	-22dBFS
09	-117dBFS	29	-85dBFS	49	-53dBFS	69	-21dBFS
0A	-116dBFS	2A	-84dBFS	4A	-52dBFS	6A	-20dBFS
0B	-115dBFS	2B	-83dBFS	4B	-51dBFS	6B	-19dBFS
0C	-114dBFS	2C	-82dBFS	4C	-50dBFS	6C	-18dBFS
0D	-113dBFS	2D	-81dBFS	4D	-49dBFS	6D	-17dBFS
0E	-112dBFS	2E	-80dBFS	4E	-48dBFS	6E	-16dBFS
0F	-111dBFS	2F	-79dBFS	4F	-47dBFS	6F	-15dBFS
10	-110dBFS	30	-78dBFS	50	-46dBFS	70	-14dBFS
11	-109dBFS	31	-77dBFS	51	-45dBFS	71	-13dBFS
12	-108dBFS	32	-76dBFS	52	-44dBFS	72	-12dBFS
13	-107dBFS	33	-75dBFS	55	-43dBFS	77	-11dBFS
14	-106dBFS	34	-74dBFS	54	-42dBFS	74	-10dBFS
15	-105dBFS	35	-73dBFS	55	-41dBFS	77	-9dBFS
16	-104dBFS	36	-72dBFS	56	-40dBFS	76	-8dBFS
17	-103dBFS	37	-71dBFS	57	-39dBFS	77	-7dBFS
18	-102dBFS	38	-70dBFS	58	-38dBFS	78	-6dBFS
19	-101dBFS	39	-69dBFS	59	-37dBFS	79	-5dBFS
1A	-100dBFS	3A	-68dBFS	5A	-36dBFS	7A	-4dBFS
1B	-99dBFS	3B	-67dBFS	5B	-35dBFS	7B	-3dBFS
1C	-98dBFS	3C	-66dBFS	5C	-34dBFS	7C	-2dBFS
1D	-97dBFS	3D	-65dBFS	5D	-33dBFS	7D	-1dBFS
1E	-96dBFS	3E	-64dBFS	5E	-32dBFS	7E	0dBFS
1F	-95dBFS	3F	-63dBFS	5F	-31dBFS	7F	OVER

NOTE: A device may not be able to send all the values depending on how precise the device processes values internally.

6.2. Other parameters (MTX3, MTX5-D)

6.2.1. INPUT PATCH

MTX3

Value	Displayed value	
0	NONE	
1	Input	1
2		2
3		3
4		4
5		5
6		6
7		7
8		8
9	ST IN	1L
10		1R
11		2L
12		2R
13	SD IN	L
14		R
15	YDIF	1
16		2
17		3
18		4
19		5
20		6
21		7
22		8
23		9
24		10
25		11
26		12
27		13
28		14
29		15
30		16

MTX5-D

Value	Displayed value		Value	Displayed value	
0	NONE		31	Dante	
1	Input	1	32		2
2		2	33		3
3		3	34		4
4		4	35		5
5		5	36		6
6		6	37		7
7		7	38		8
8		8	39		9
9	ST IN	1L	40		10
10		1R	41		11
11		2L	42		12
12		2R	43		13
13	SD IN	L	44		14
14		R	45		15
15	YDIF	1	46		16
16		2	47	SLOT	1
17		3	48		2
18		4	49		3
19		5	50		4
20		6	51		5
21		7	52		6
22		8	53		7
23		9	54		8
24		10	55		9
25		11	56		10
26		12	57		11
27		13	58		12
28		14	59		13
29		15	60		14
30		16	61		15
			62		16

6.2.2. INPUT CHANNEL

6.2.2.1. 3BAND EQ

Q

Value	Displayed value	Value	Displayed value	Value	Displayed value	Value	Displayed value
0	0.1	29	0.53	58	2.8	87	15.0
1	0.105	30	0.56	59	3.0	88	16.0
2	0.11	31	0.6	60	3.2	89	17.0
3	0.12	32	0.63	61	3.3	90	18.0
4	0.125	33	0.67	62	3.5	91	19.0
5	0.13	34	0.7	63	3.8	92	20.0
6	0.14	35	0.75	64	4.0	93	21.0
7	0.15	36	0.8	65	4.2	94	22.0
8	0.16	37	0.85	66	4.5	95	24.0
9	0.17	38	0.9	67	4.7	96	25.0
10	0.18	39	0.95	68	5.0	97	27.0
11	0.19	40	1.0	69	5.3	98	28.0
12	0.2	41	1.05	70	5.6	99	30.0
13	0.21	42	1.1	71	6.0	100	32.0
14	0.22	43	1.2	72	6.3	101	34.0
15	0.24	44	1.25	73	6.7	102	35.0
16	0.25	45	1.3	74	7.0	103	38.0
17	0.27	46	1.4	75	7.5	104	40.0
18	0.28	47	1.5	76	8	105	42.0
19	0.3	48	1.6	77	8.4	106	45.0
20	0.32	49	1.7	78	9.0	107	47.0
21	0.33	50	1.8	79	9.5	108	50.0
22	0.35	51	1.9	80	10.0	109	53.0
23	0.38	52	2.0	81	10.5	110	56.0
24	0.4	53	2.1	82	11.0	111	60.0
25	0.42	54	2.2	83	12.0	112	63.0
26	0.45	55	2.4	84	12.5		
27	0.47	56	2.5	85	13.0		
28	0.5	57	2.7	86	14.0		

Type

Value	Displayed value
0	PEQ
1	L.SHELF 6dB/Oct
2	L.SHELF 12dB/Oct
3	H.SHELF 6dB/Oct
4	H.SHELF 12dB/Oct
5	HPF
6	LPF

6.2.2.2. GATE

Decay

Value	Displayed value	Value	Displayed value	Value	Displayed value	Value	Displayed value
0	3msec	43	189msec	86	1.23sec	129	7.68sec
1	7msec	44	196msec	87	1.28sec	130	8.11sec
2	10msec	45	203msec	88	1.34sec	131	8.54sec
3	13msec	46	209msec	89	1.39sec	132	8.97sec
4	17msec	47	219msec	90	1.44sec	133	9.39sec
5	22msec	48	229msec	91	1.50sec	134	9.82sec
6	25msec	49	243msec	92	1.55sec	135	10.2sec
7	28msec	50	256msec	93	1.60sec	136	10.7sec
8	32msec	51	269msec	94	1.66sec	137	11.1sec
9	35msec	52	283msec	95	1.74sec	138	11.5sec
10	38msec	53	296msec	96	1.82sec	139	12.0sec
11	42msec	54	309msec	97	1.92sec	140	12.4sec
12	45msec	55	323msec	98	2.03sec	141	12.8sec
13	48msec	56	336msec	99	2.14sec	142	13.2sec
14	52msec	57	349msec	100	2.24sec	143	13.9sec
15	55msec	58	363msec	101	2.35sec	144	14.5sec
16	59msec	59	376msec	102	2.46sec	145	15.4sec
17	63msec	60	390msec	103	2.56sec	146	16.2sec
18	66msec	61	403msec	104	2.67sec	147	17.1sec
19	69msec	62	416msec	105	2.78sec	148	17.9sec
20	73msec	63	436msec	106	2.89sec	149	18.8sec
21	76msec	64	456msec	107	2.99sec	150	19.6sec
22	79msec	65	483msec	108	3.10sec	151	20.5sec
23	83msec	66	509msec	109	3.21sec	152	21.4sec
24	86msec	67	536msec	110	3.31sec	153	22.2sec
25	89msec	68	563msec	111	3.47sec	154	23.1sec
26	93msec	69	589msec	112	3.63sec	155	23.9sec
27	96msec	70	616msec	113	3.84sec	156	24.8sec
28	99msec	71	643msec	114	4.06sec	157	25.6sec
29	103msec	72	670msec	115	4.27sec	158	26.5sec
30	106msec	73	696msec	116	4.48sec	159	27.7sec
31	111msec	74	723msec	117	4.70sec	160	29.0sec
32	116msec	75	750msec	118	4.91sec	161	30.7sec
33	123msec	76	777msec	119	5.13sec	162	32.4sec
34	129msec	77	803msec	120	5.34sec	163	34.1sec
35	136msec	78	830msec	121	5.55sec	164	35.9sec
36	143msec	79	870msec	122	5.77sec	165	37.6sec
37	149msec	80	909msec	123	5.98sec	166	39.3sec
38	156msec	81	963msec	124	6.20sec	167	41.0sec
39	163msec	82	1.02sec	125	6.41sec	168	42.7sec
40	169msec	83	1.07sec	126	6.62sec		
41	176msec	84	1.12sec	127	6.94sec		
42	183msec	85	1.18sec	128	7.26sec		

Hold

Value	Displayed value	Value	Displayed value	Value	Displayed value	Value	Displayed value
0	0.02msec	54	2.01msec	108	20.2msec	162	211msec
1	0.04msec	55	2.10msec	109	20.9msec	163	222msec
2	0.07msec	56	2.19msec	110	21.6msec	164	233msec
3	0.09msec	57	2.28msec	111	22.6msec	165	245msec
4	0.11msec	58	2.36msec	112	23.6msec	166	256msec
5	0.14msec	59	2.45msec	113	25.0msec	167	267msec
6	0.16msec	60	2.54msec	114	26.4msec	168	278msec
7	0.18msec	61	2.62msec	115	27.8msec	169	289msec
8	0.21msec	62	2.71msec	116	29.2msec	170	300msec
9	0.23msec	63	2.84msec	117	30.6msec	171	311msec
10	0.25msec	64	2.97msec	118	32.0msec	172	323msec
11	0.27msec	65	3.14msec	119	33.4msec	173	334msec
12	0.29msec	66	3.32msec	120	34.8msec	174	345msec
13	0.31msec	67	3.49msec	121	36.2msec	175	361msec
17	0.41msec	71	4.19msec	125	41.7msec	179	445msec
18	0.43msec	72	4.36msec	126	43.1msec	180	467msec
19	0.45msec	73	4.53msec	127	45.2msec	181	489msec
20	0.47msec	74	4.71msec	128	47.2msec	182	511msec
21	0.49msec	75	4.88msec	129	50.0msec	183	534msec
22	0.52msec	76	5.06msec	130	52.8msec	184	556msec
23	0.54msec	77	5.23msec	131	55.6msec	185	578msec
24	0.56msec	78	5.40msec	132	58.4msec	186	601msec
25	0.58msec	79	5.66msec	133	61.2msec	187	623msec
26	0.60msec	80	5.92msec	134	63.9msec	188	645msec
27	0.62msec	81	6.27msec	135	66.7msec	189	667msec
28	0.65msec	82	6.61msec	136	69.5msec	190	690msec
29	0.67msec	83	6.96msec	137	72.3msec	191	723msec
30	0.69msec	84	7.31msec	138	75.1msec	192	756msec
31	0.72msec	85	7.66msec	139	77.9msec	193	800msec
32	0.75msec	86	8.01msec	140	80.7msec	194	845msec
33	0.80msec	87	8.36msec	141	83.4msec	195	889msec
34	0.84msec	88	8.70msec	142	86.2msec	196	934msec
35	0.88msec	89	9.05msec	143	90.3msec	197	978msec
36	0.93msec	90	9.40msec	144	94.5msec	198	1.02sec
37	0.97msec	91	9.75msec	145	100msec	199	1.07sec
38	1.02msec	92	10.1msec	146	106msec	200	1.11sec
39	1.06msec	93	10.4msec	147	111msec	201	1.16sec
40	1.10msec	94	10.8msec	148	117msec	202	1.20sec
41	1.15msec	95	11.3msec	149	122msec	203	1.25sec
42	1.19msec	96	11.8msec	150	128msec	204	1.29sec
43	1.23msec	97	12.5msec	151	133msec	205	1.33sec
44	1.28msec	98	13.2msec	152	139msec	206	1.38sec
45	1.32msec	99	13.9msec	153	145msec	207	1.45sec
46	1.36msec	100	14.6msec	154	150msec	208	1.51sec
47	1.43msec	101	15.3msec	155	156msec	209	1.60sec
48	1.49msec	102	16.0msec	156	161msec	210	1.69sec
49	1.58msec	103	16.7msec	157	167msec	211	1.78sec
50	1.67msec	104	17.4msec	158	172msec	212	1.87sec
51	1.75msec	105	18.1msec	159	181msec	213	1.96sec
52	1.84msec	106	18.8msec	160	189msec		
53	1.93msec	107	19.5msec	161	200msec		

6.2.2.3. COMPRESSOR

Ratio

Value	Displayed value	Value	Displayed value	Value	Displayed value	Value	Displayed value
10	1.0:1	58	5.8:1	106	10.6:1	154	15.4:1
11	1.1:1	59	5.9:1	107	10.7:1	155	15.5:1
12	1.2:1	60	6.0:1	108	10.8:1	156	15.6:1
13	1.3:1	61	6.1:1	109	10.9:1	157	15.7:1
14	1.4:1	62	6.2:1	110	11.0:1	158	15.8:1
15	1.5:1	63	6.3:1	111	11.1:1	159	15.9:1
16	1.6:1	64	6.4:1	112	11.2:1	160	16.0:1
17	1.7:1	65	6.5:1	113	11.3:1	161	16.1:1
18	1.8:1	66	6.6:1	114	11.4:1	162	16.2:1
19	1.9:1	67	6.7:1	115	11.5:1	163	16.3:1
20	2.0:1	68	6.8:1	116	11.6:1	164	16.4:1
21	2.1:1	69	6.9:1	117	11.7:1	165	16.5:1
22	2.2:1	70	7.0:1	118	11.8:1	166	16.6:1
23	2.3:1	71	7.1:1	119	11.9:1	167	16.7:1
24	2.4:1	72	7.2:1	120	12.0:1	168	16.8:1
25	2.5:1	73	7.3:1	121	12.1:1	169	16.9:1
26	2.6:1	74	7.4:1	122	12.2:1	170	17.0:1
27	2.7:1	75	7.5:1	123	12.3:1	171	17.1:1
28	2.8:1	76	7.6:1	124	12.4:1	172	17.2:1
29	2.9:1	77	7.7:1	125	12.5:1	173	17.3:1
30	3.0:1	78	7.8:1	126	12.6:1	174	17.4:1
31	3.1:1	79	7.9:1	127	12.7:1	175	17.5:1
32	3.2:1	80	8.0:1	128	12.8:1	176	17.6:1
33	3.3:1	81	8.1:1	129	12.9:1	177	17.7:1
34	3.4:1	82	8.2:1	130	13.0:1	178	17.8:1
35	3.5:1	83	8.3:1	131	13.1:1	179	17.9:1
36	3.6:1	84	8.4:1	132	13.2:1	180	18.0:1
37	3.7:1	85	8.5:1	133	13.3:1	181	18.1:1
38	3.8:1	86	8.6:1	134	13.4:1	182	18.2:1
39	3.9:1	87	8.7:1	135	13.5:1	183	18.3:1
40	4.0:1	88	8.8:1	136	13.6:1	184	18.4:1
41	4.1:1	89	8.9:1	137	13.7:1	185	18.5:1
42	4.2:1	90	9.0:1	138	13.8:1	186	18.6:1
43	4.3:1	91	9.1:1	139	13.9:1	187	18.7:1
44	4.4:1	92	9.2:1	140	14.0:1	188	18.8:1
45	4.5:1	93	9.3:1	141	14.1:1	189	18.9:1
46	4.6:1	94	9.4:1	142	14.2:1	190	19.0:1
47	4.7:1	95	9.5:1	143	14.3:1	191	19.1:1
48	4.8:1	96	9.6:1	144	14.4:1	192	19.2:1
49	4.9:1	97	9.7:1	145	14.5:1	193	19.3:1
50	5.0:1	98	9.8:1	146	14.6:1	194	19.4:1
51	5.1:1	99	9.9:1	147	14.7:1	195	19.5:1
52	5.2:1	100	10.0:1	148	14.8:1	196	19.6:1
53	5.3:1	101	10.1:1	149	14.9:1	197	19.7:1
54	5.4:1	102	10.2:1	150	15.0:1	198	19.8:1
55	5.5:1	103	10.3:1	151	15.1:1	199	19.9:1
56	5.6:1	104	10.4:1	152	15.2:1	200	20.0:1
57	5.7:1	105	10.5:1	153	15.3:1	201	∞:1

Knee

Value	Displayed value
0	HARD
1	1
2	2
3	3
4	4
5	5

Release

Same as 6.2.2.2. Gate
/ Decay

6.2.2.4. AGC

Response Time

Value	Displayed value	Value	Displayed value
0	100msec	30	2.20sec
1	150msec	31	2.30sec
2	200msec	32	2.40sec
3	250msec	33	2.50sec
4	300msec	34	2.60sec
5	350msec	35	2.70sec
6	400msec	36	2.80sec
7	450msec	37	2.90sec
8	500msec	38	3.00sec
9	550msec	39	3.10sec
10	600msec	40	3.20sec
12	700msec	42	3.40sec
13	750msec	43	3.50sec
14	800msec	44	3.60sec
15	850msec	45	3.70sec
16	900msec	46	3.80sec
17	950msec	47	3.90sec
18	1.00sec	48	4.00sec
19	1.10sec	49	4.10sec
20	1.20sec	50	4.20sec
21	1.30sec	51	4.30sec
22	1.40sec	52	4.40sec
23	1.50sec	53	4.50sec
24	1.60sec	54	4.60sec
25	1.70sec	55	4.70sec
26	1.80sec	56	4.80sec
27	1.90sec	57	4.90sec
28	2.00sec	58	5.00sec
29	2.10sec		

6.2.2.5. DUGAN AUTOMIXER

Mode

Value	Displayed value
0	Mute
1	Man
2	Auto

Weight

Value	Displayed value
-3000	-100.0
-2950	-29.5
-2900	-29.0
-2850	-28.5
:	:
:	:
-100	-1.0
-50	-0.5
0	0.0
50	0.5
100	1.0
:	:
:	:
1350	13.5
1400	14.0
1450	14.5
1500	15.0

Group

MTX3

Value	Displayed value
0	a
1	b

MTX5-D

Value	Displayed value
0	a
1	b
2	c
3	d

6.2.3. EFFECT

Type

Value	Displayed value
0	Reverb Hall
1	Reverb Stage1
2	Karaoke Echo
3	Vocal Echo

RevHallTime/RevStageTime

Value	Time(sec)	Value	Time(sec)
0	0.3	29	3.2
1	0.4	30	3.3
2	0.5	31	3.4
3	0.6	32	3.5
4	0.7	33	3.6
5	0.8	34	3.7
6	0.9	35	3.8
7	1.0	36	3.9
8	1.1	37	4.0
9	1.2	38	4.1
10	1.3	39	4.2
11	1.4	40	4.3
12	1.5	41	4.4
13	1.6	42	4.5
14	1.7	43	4.6
15	1.8	44	4.7
16	1.9	45	4.8
17	2.0	46	4.9
18	2.1	47	5.0
19	2.2	48	5.5
20	2.3	49	6.0
21	2.4	50	6.5
22	2.5	51	7.0
23	2.6	52	7.5
24	2.7	53	8.0
25	2.8	54	8.5
26	2.9	55	9.0
27	3.0	56	9.5
28	3.1	57	10.0

KaraokeTime/VocalTime

Value	Time (msec)	Value	Time (msec)	Value	Time (msec)
0	0.4	43	135.5	86	270.9
1	3.2	44	138.6	87	274.0
2	6.4	45	141.8	88	277.2
3	9.5	46	144.9	89	280.3
4	12.7	47	148.1	90	283.5
5	15.8	48	151.2	91	286.6
6	19.0	49	154.4	92	289.8
7	22.1	50	157.5	93	292.9
8	25.3	51	160.7	94	296.1
9	28.4	52	163.8	95	299.2
10	31.6	53	167.0	96	302.4
11	34.7	54	170.1	97	305.5
12	37.9	55	173.3	98	308.7
13	41.0	56	176.4	99	311.8
14	44.2	57	179.6	100	315.0
15	47.3	58	182.7	101	318.1
16	50.5	59	185.9	102	321.3
17	53.6	60	189.0	103	324.4
18	56.8	61	192.2	104	327.6
19	59.9	62	195.3	105	330.7
20	63.1	63	198.5	106	333.9
21	66.2	64	201.6	107	337.0
22	69.4	65	204.8	108	340.2
23	72.5	66	207.9	109	343.3
24	75.7	67	211.1	110	346.5
25	78.8	68	214.2	111	349.6
26	82.0	69	217.4	112	352.8
27	85.1	70	220.5	113	355.9
28	88.3	71	223.7	114	359.1
29	91.4	72	226.8	115	362.2
30	94.6	73	230.0	116	365.4
31	97.7	74	233.1	117	368.5
32	100.9	75	236.3	118	371.7
33	104.0	76	239.4	119	374.8
34	107.2	77	242.6	120	378.0
35	110.3	78	245.7	121	381.1
36	113.5	79	248.9	122	384.3
37	116.6	80	252.0	123	387.4
38	119.8	81	255.2	124	390.6
39	122.9	82	258.3	125	393.7
40	126.1	83	261.5	126	396.9
41	129.2	84	264.6	127	400.0
42	132.4	85	267.7		

6.2.4. ZONE

6.2.4.1. PAGING (MTX5-D only)

Paging Source

MTX5-D

Value	Displayed value	Value	Displayed value
0	NONE	31	YDIF IN 1
1	CH1	32	YDIF IN 2
2	CH2	33	YDIF IN 3
3	CH3	34	YDIF IN 4
4	CH4	35	YDIF IN 5
5	CH5	36	YDIF IN 6
6	CH6	37	YDIF IN 7
7	CH7	38	YDIF IN 8
8	CH8	39	YDIF IN 9
9	CH9	40	YDIF IN 10
10	CH10	41	YDIF IN 11
11	CH11	42	YDIF IN 12
12	CH12	43	YDIF IN 13
13	CH13	44	YDIF IN 14
14	CH14	45	YDIF IN 15
15	CH15	46	YDIF IN 16
16	CH16	47	ANC BUS1
17	STIN1L	48	ANC BUS2
18	STIN1R		
19	STIN2L		
20	STIN2R		
21	STIN3L		
22	STIN3R		
23	CH17		
24	CH18		
25	CH19		
26	CH20		
27	CH21		
28	CH22		
29	CH23		
30	CH24		

Range

MTX5-D

Value	Displayed value
-601	-∞
-600	-60.0dB
-599	-59.9dB
:	:
:	:
-2	-0.2dB
-1	-0.1dB
0	-0.0dB

6.2.4.2. 1st/2nd PRIORITY

1st/2nd Priority Ducker Priority Source

MTX3

Value	Displayed value
0	NONE
1	CH1
2	CH2
3	CH3
4	CH4
5	CH5
6	CH6
7	CH7
8	CH8
9	STIN1L
10	STIN1R
11	STIN2L
12	STIN2R
13	STIN3L
14	STIN3R
15	CH9
16	CH10
17	CH11
18	CH12
19	CH13
20	CH14
21	CH15
22	CH16
23	YDIF IN 1
24	YDIF IN 2
25	YDIF IN 3
26	YDIF IN 4
27	YDIF IN 5
28	YDIF IN 6
29	YDIF IN 7
30	YDIF IN 8
31	YDIF IN 9
32	YDIF IN 10
33	YDIF IN 11
34	YDIF IN 12
35	YDIF IN 13
36	YDIF IN 14
37	YDIF IN 15
38	YDIF IN 16
39	ANC BUS1
40	ANC BUS2

MTX5-D

Value	Displayed value	Value	Displayed value
0	NONE	31	YDIF IN 1
1	CH1	32	YDIF IN 2
2	CH2	33	YDIF IN 3
3	CH3	34	YDIF IN 4
4	CH4	35	YDIF IN 5
5	CH5	36	YDIF IN 6
6	CH6	37	YDIF IN 7
7	CH7	38	YDIF IN 8
8	CH8	39	YDIF IN 9
9	CH9	40	YDIF IN 10
10	CH10	41	YDIF IN 11
11	CH11	42	YDIF IN 12
12	CH12	43	YDIF IN 13
13	CH13	44	YDIF IN 14
14	CH14	45	YDIF IN 15
15	CH15	46	YDIF IN 16
16	CH16	47	ANC BUS1
17	STIN1L	48	ANC BUS2
18	STIN1R		
19	STIN2L		
20	STIN2R		
21	STIN3L		
22	STIN3R		
23	CH17		
24	CH18		
25	CH19		
26	CH20		
27	CH21		
28	CH22		
29	CH23		
30	CH24		

Release

Same as 6.2.2.2. Gate / Decay

Hold

Same as 6.2.2.2. Gate / Hold

6.2.4.3. ANC**ANC Source**

Same as 6.2.4.2. 1st/2nd PRIORITY / 1st/2nd Priority Ducker Priority Source

ANC Ratio

Value	Displayed value
5	0.5:1
6	0.6:1
7	0.7:1
8	0.8:1
9	0.9:1
10	1.0:1
11	1.1:1
12	1.2:1
13	1.3:1
14	1.4:1
15	1.5:1
16	1.6:1
17	1.7:1
18	1.8:1
19	1.9:1
20	2.0:1

6.2.5. ROUTER**6.2.5.1. ROUTER****MTX3**

Value	Displayed value
0	NONE
1	ZONE 1
2	ZONE 2
3	ZONE 3
4	ZONE 4
5	ZONE 5
6	ZONE 6
7	ZONE 7
8	ZONE 8
9	YDIF IN 1
10	YDIF IN 2
11	YDIF IN 3
12	YDIF IN 4
13	YDIF IN 5
14	YDIF IN 6
15	YDIF IN 7
16	YDIF IN 8
17	YDIF IN 9
18	YDIF IN 10
19	YDIF IN 11
20	YDIF IN 12
21	YDIF IN 13
22	YDIF IN 14
23	YDIF IN 15
24	YDIF IN 16

MTX5-D

Value	Displayed value	Value	Displayed value
0	NONE	17	YDIF IN 1
1	ZONE 1	18	YDIF IN 2
2	ZONE 2	19	YDIF IN 3
3	ZONE 3	20	YDIF IN 4
4	ZONE 4	21	YDIF IN 5
5	ZONE 5	22	YDIF IN 6
6	ZONE 6	23	YDIF IN 7
7	ZONE 7	24	YDIF IN 8
8	ZONE 8	25	YDIF IN 9
9	ZONE 9	26	YDIF IN 10
10	ZONE 10	27	YDIF IN 11
11	ZONE 11	28	YDIF IN 12
12	ZONE 12	29	YDIF IN 13
13	ZONE 13	30	YDIF IN 14
14	ZONE 14	31	YDIF IN 15
15	ZONE 15	32	YDIF IN 16
16	ZONE 16		

6.2.5.2. OSCILLATOR**Waveform**

Value	Displayed value
0	SINE 100Hz
1	SINE 1kHz
2	SINE 10kHz
3	Pink
4	Burst
5	VARI

6.2.6. OUTPUT CHANNEL**6.2.6.1. 4BAND EQ****Q**

Same as 6.2.2.1. 3BAND EQ / Q

Type

Same as 6.2.2.1. 3BAND EQ / Type

B/W(Q)

Value	Oct.	Value	Oct.	Value	Oct.	Value	Oct.
0	6.672	29	2.426	58	0.513	87	0.096
1	6.534	30	2.319	59	0.479	88	0.090
2	6.403	31	2.189	60	0.449	89	0.085
3	6.158	32	2.100	61	0.436	90	0.080
4	6.044	33	1.991	62	0.411	91	0.076
5	5.934	34	1.917	63	0.379	92	0.072
6	5.728	35	1.804	64	0.360	93	0.069
7	5.537	36	1.703	65	0.343	94	0.066
8	5.359	37	1.612	66	0.320	95	0.060
9	5.193	38	1.530	67	0.306	96	0.058
10	5.037	39	1.456	68	0.288	97	0.053
11	4.891	40	1.388	69	0.272	98	0.052
12	4.753	41	1.327	70	0.257	99	0.048
13	4.623	42	1.270	71	0.240	100	0.045
14	4.499	43	1.170	72	0.229	101	0.042
15	4.271	44	1.125	73	0.215	102	0.041
16	4.165	45	1.084	74	0.206	103	0.038
17	3.968	46	1.010	75	0.192	104	0.036
18	3.876	47	0.945	76	0.180	105	0.034
19	3.704	48	0.888	77	0.172	106	0.032
20	3.546	49	0.837	78	0.160	107	0.031
21	3.472	50	0.792	79	0.152	108	0.029
22	3.331	51	0.751	80	0.144	109	0.027
23	3.139	52	0.714	81	0.137	110	0.026
24	3.023	53	0.681	82	0.131	111	0.024
25	2.914	54	0.650	83	0.120	112	0.023
26	2.764	55	0.597	84	0.115		
27	2.671	56	0.573	85	0.111		
28	2.543	57	0.531	86	0.103		

6.2.6.2. SPEAKER PROCESSOR**HPF/LPF Type**

Value	Displayed value
0	Thru
1	6dB/Oct
2	12dB/Oct AdjustGc
3	12dB/Oct Butwrth
4	12dB/Oct Bessel
5	12dB/Oct Linkwitz
6	18dB/Oct AdjustGc
7	18dB/Oct Butwrth
8	18dB/Oct Bessel
9	24dB/Oct AdjustGc
10	24dB/Oct Butwrth
11	24dB/Oct Bessel
12	24dB/Oct Linkwitz
13	32dB/Oct AdjustGc
14	32dB/Oct Butwrth
15	32dB/Oct Bessel
16	48dB/Oct AdjustGc
17	48dB/Oct Butwrth
18	48dB/Oct Bessel
19	48dB/Oct Linkwitz

PEQ Type

Value	Displayed value
0	PEQ
1	L.SHELF 6dB/Oct
2	L.SHELF 12dB/Oct
3	H.SHELF 6dB/Oct
4	H.SHELF 12dB/Oct
5	HPF
6	LPF
7	APF 1st
8	APF 2nd
9	Horn EQ

PEQ Q

Same as 6.2.2.1. 3BAND EQ / Q

B/W(Q)

Same as 6.2.6.1. 4BAND EQ / B/W(Q)

Limiter Release

Same as 6.2.2.2. GATE / Decay

Limiter Attack/Release Mode

Value	Displayed value
0	Fast
1	Mid
2	Slow
3	Manual

6.2.7. OUTPUT PATCH**6.2.7.1. OUTPUT PATCH****MTX3**

Value	Displayed value
0	NONE
1	OUTPUT CH1
2	OUTPUT CH2
3	OUTPUT CH3
4	OUTPUT CH4
5	OUTPUT CH5
6	OUTPUT CH6
7	OUTPUT CH7
8	OUTPUT CH8

MTX5-D

Value	Displayed value
0	NONE
1	OUTPUT CH1
2	OUTPUT CH2
3	OUTPUT CH3
4	OUTPUT CH4
5	OUTPUT CH5
6	OUTPUT CH6
7	OUTPUT CH7
8	OUTPUT CH8
9	OUTPUT CH9
10	OUTPUT CH10
11	OUTPUT CH11
12	OUTPUT CH12
13	OUTPUT CH13
14	OUTPUT CH14
15	OUTPUT CH15
16	OUTPUT CH16

6.2.7.2. YDIF PATCH

MTX3

Value	Displayed value
0	NONE
1	CH1
2	CH2
3	CH3
4	CH4
5	CH5
6	CH6
7	CH7
8	CH8
9	STIN1L
10	STIN1R
11	STIN2L
12	STIN2R
13	STIN3L
14	STIN3R
15	ZONE 1
16	ZONE 2
17	ZONE 3
18	ZONE 4
19	ZONE 5
20	ZONE 6
21	ZONE 7
22	ZONE 8
23	THRU 1
24	THRU 2
25	THRU 3
26	THRU 4
27	THRU 5
28	THRU 6
29	THRU 7
30	THRU 8
31	THRU 9
32	THRU 10
33	THRU 11
34	THRU 12
35	THRU 13
36	THRU 14
37	THRU 15
38	THRU 16
39	OUTPUT CH1
40	OUTPUT CH2
41	OUTPUT CH3
42	OUTPUT CH4
43	OUTPUT CH5
44	OUTPUT CH6
45	OUTPUT CH7
46	OUTPUT CH8

MTX5-D

Value	Displayed value	Value	Displayed value
0	NONE	39	THRU 1
1	CH1	40	THRU 2
2	CH2	41	THRU 3
3	CH3	42	THRU 4
4	CH4	43	THRU 5
5	CH5	44	THRU 6
6	CH6	45	THRU 7
7	CH7	46	THRU 8
8	CH8	47	THRU 9
9	CH9	48	THRU 10
10	CH10	49	THRU 11
11	CH11	50	THRU 12
12	CH12	51	THRU 13
13	CH13	52	THRU 14
14	CH14	53	THRU 15
15	CH15	54	THRU 16
16	CH16	55	OUTPUT CH1
17	STIN1L	56	OUTPUT CH2
18	STIN1R	57	OUTPUT CH3
19	STIN2L	58	OUTPUT CH4
20	STIN2R	59	OUTPUT CH5
21	STIN3L	60	OUTPUT CH6
22	STIN3R	61	OUTPUT CH7
23	ZONE 1	62	OUTPUT CH8
24	ZONE 2	63	OUTPUT CH9
25	ZONE 3	64	OUTPUT CH10
26	ZONE 4	65	OUTPUT CH11
27	ZONE 5	66	OUTPUT CH12
28	ZONE 6	67	OUTPUT CH13
29	ZONE 7	68	OUTPUT CH14
30	ZONE 8	69	OUTPUT CH15
31	ZONE 9	70	OUTPUT CH16
32	ZONE 10		
33	ZONE 11		
34	ZONE 12		
35	ZONE 13		
36	ZONE 14		
37	ZONE 15		
38	ZONE 16		

* About MTX3 23 to 38 (THRU1 to 16), MTX5-D 39 to 54 (THRU1 to 16)

Note the difference in behavior between the MTX Editor and MTX external control protocol. On the MTX editor, when you press THRU, one of the 16 YDIF channels is selected automatically.

However, with the MTX external control protocol, you can select the channel freely.

6.2.8. MY4-AEC

6.2.8.1. MY4-AEC Input Patch

Near-end Mic / From Far-end

Value	PORT	Value	PORT
0	NONE	47	SLOT
1	Input	48	1
2		49	2
3		50	3
4		51	4
5		52	Output 1
6		53	2
7		54	3
8		55	4
9	ST IN	56	5
10		57	6
11		58	7
12		59	8
13	SD IN	60	9
14		61	10
15	YDIF	62	11
16		63	12
17		64	13
18		65	14
19		66	15
20			16
21			
22			
23			
24			
25			
26			
27			
28			
29			
30			
31	DANTE		
32			
33			
34			
35			
36			
37			
38			
39			
40			
41			
42			
43			
44			
45			
46			

6.2.8.2. MY4-AEC FBS

Width

Value	Displayed value
0	1/10oct
1	1/60oct
2	1/93oct

Depth

Value	Displayed value
0	-6dB
1	-12dB
2	-18dB

6.3. Other parameters (MRX7-D)

6.3.1. Ambient Noise Compensator

Ratio

Same as 6.2.4.3. ANC ANC Ratio in "Other Parameters (MTX3,MTX5-D)"

6.3.2. Auto Gain Control

Response Type

Same as 6.2.2.4. AGC Response Time in "Other Parameters (MTX3,MTX5-D)"

6.3.3. Combiner

6.3.3.1. Room Combiner

Source

Value	Displayed value
0	BGM1
1	BGM2
2	BGM3
3	BGM4

6.3.3.2. Room Combiner plus Automixer

Source

Same as 6.3.3.1. Room Combiner Source in "Other Parameters (MTX3,MTX5-D)"

Mode

Same as 6.2.2.5. DUGAN AUTOMIXER Mode in "Other Parameters (MTX3,MTX5-D)"

Weight

Same as 6.2.2.5. DUGAN AUTOMIXER Weight in "Other Parameters (MTX3,MTX5-D)"

6.3.4. Dynamics

6.3.4.1. Compressor

Ratio

Same as 6.2.2.3. COMPRESSOR Ratio in "Other Parameters (MTX3,MTX5-D)"

Knee

Same as 6.2.2.3. COMPRESSOR Knee in "Other Parameters (MTX3,MTX5-D)"

Release

Same as 6.2.2.3. GATE Decay in "Other Parameters (MTX3,MTX5-D)"

Keyin(Mono)

Value	Displayed value
0	SELF
1	KEYIN

Keyin(Stereo)

Value	Displayed value
2	L
3	R
4	LR BOTH
5	KEYIN

6.3.4.2. Gate/Ducking**Release**

Same as 6.2.2.3. GATE Decay in "Other Parameters (MTX3,MTX5-D)"

Decay

Same as 6.2.2.3. GATE Decay in "Other Parameters (MTX3,MTX5-D)"

Hold

Same as 6.2.2.3. GATE Hold in "Other Parameters (MTX3,MTX5-D)"

Keyin(Mono)

Same as 6.3.4.1. Compressor Keyin(Mono)

Keyin(Stereo)

Same as 6.3.4.1. Compressor Keyin(Stereo)

6.3.4.3. Limiter**Release**

Same as 6.2.2.3. GATE Decay in "Other Parameters (MTX3,MTX5-D)"

Keyin(Mono)

Same as 6.3.4.1. Compressor Keyin(Mono)

Keyin(Stereo)

Same as 6.3.4.1. Compressor Keyin(Stereo)

6.3.4.4. Paging Ducker**Range**

Same as 6.2.4.1. PAGING Range in "Other Parameters (MTX3,MTX5-D)"

6.3.5. Effect

Type

Same as 6.2.3. EFFECT Type in "Other Parameters (MTX3,MTX5-D)"

RevHallTime/RevStageTime

Same as 6.2.3. EFFECT RevHallTime/RevStageTime in "Other Parameters (MTX3,MTX5-D)"

KaraokeTime/VocalTime

Value	Time(msec)	Value	Time(msec)	Value	Time(msec)	Value	Time(msec)	Value	Time(msec)
0	0.4	52	163.8	104	327.6	156	535.9	208	779.7
1	3.2	53	167.0	105	330.7	157	540.6	209	784.4
2	6.4	54	170.1	106	333.9	158	545.3	210	789.1
3	9.5	55	173.3	107	337.0	159	550.0	211	793.8
4	12.7	56	176.4	108	340.2	160	554.7	212	798.4
5	15.8	57	179.6	109	343.3	161	559.4	213	803.1
6	19.0	58	182.7	110	346.5	162	564.1	214	807.8
7	22.1	59	185.9	111	349.6	163	568.8	215	812.5
8	25.3	60	189.0	112	352.8	164	573.4	216	817.2
9	28.4	61	192.2	113	355.9	165	578.1	217	821.9
10	31.6	62	195.3	114	359.1	166	582.8	218	826.6
11	34.7	63	198.5	115	362.2	167	587.5	219	831.3
12	37.9	64	201.6	116	365.4	168	592.2	220	835.9
13	41.0	65	204.8	117	368.5	169	596.9	221	840.6
14	44.2	66	207.9	118	371.7	170	601.6	222	845.3
15	47.3	67	211.1	119	374.8	171	606.3	223	850.0
16	50.5	68	214.2	120	378.0	172	610.9	224	854.7
17	53.6	69	217.4	121	381.1	173	615.6	225	859.4
18	56.8	70	220.5	122	384.3	174	620.3	226	864.1
19	59.9	71	223.7	123	387.4	175	625.0	227	868.8
20	63.1	72	226.8	124	390.6	176	629.7	228	873.4
21	66.2	73	230.0	125	393.7	177	634.4	229	878.1
22	69.4	74	233.1	126	396.9	178	639.1	230	882.8
23	72.5	75	236.3	127	400.0	179	643.8	231	887.5
24	75.7	76	239.4	128	404.7	180	648.4	232	892.2
25	78.8	77	242.6	129	409.4	181	653.1	233	896.9
26	82.0	78	245.7	130	414.1	182	657.8	234	901.6
27	85.1	79	248.9	131	418.8	183	662.5	235	906.3
28	88.3	80	252.0	132	423.4	184	667.2	236	910.9
29	91.4	81	255.2	133	428.1	185	671.9	237	915.6
30	94.6	82	258.3	134	432.8	186	676.6	238	920.3
31	97.7	83	261.5	135	437.5	187	681.3	239	925.0
32	100.9	84	264.6	136	442.2	188	685.9	240	929.7
33	104.0	85	267.7	137	446.9	189	690.6	241	934.4
34	107.2	86	270.9	138	451.6	190	695.3	242	939.1
35	110.3	87	274.0	139	456.3	191	700.0	243	943.8
36	113.5	88	277.2	140	460.9	192	704.7	244	948.4
37	116.6	89	280.3	141	465.6	193	709.4	245	953.1
38	119.8	90	283.5	142	470.3	194	714.1	246	957.8
39	122.9	91	286.6	143	475.0	195	718.8	247	962.5
40	126.1	92	289.8	144	479.7	196	723.4	248	967.2
41	129.2	93	292.9	145	484.4	197	728.1	249	971.9
42	132.4	94	296.1	146	489.1	198	732.8	250	976.6
43	135.5	95	299.2	147	493.8	199	737.5	251	981.3
44	138.6	96	302.4	148	498.4	200	742.2	252	985.9
45	141.8	97	305.5	149	503.1	201	746.9	253	990.6
46	144.9	98	308.7	150	507.8	202	751.6	254	995.3
47	148.1	99	311.8	151	512.5	203	756.3	255	1000.0
48	151.2	100	315.0	152	517.2	204	760.9		
49	154.4	101	318.1	153	521.9	205	765.6		
50	157.5	102	321.3	154	526.6	206	770.3		
51	160.7	103	324.4	155	531.3	207	775.0		

6.3.6. EQ**6.3.6.1. GEQ****Q**

Same as 6.2.2.1. 3BAND EQ Q in "Other Parameters (MTX3,MTX5-D)"

6.3.6.2. PEQ**Q**

Same as 6.2.2.1. 3BAND EQ Q in "Other Parameters (MTX3,MTX5-D)"

B/W(Q)

Same as 6.2.6.1. 4BAND EQ B/W(Q) in "Other Parameters (MTX3,MTX5-D)"

Type

Same as 6.2.2.1. 3BAND EQ Type in "Other Parameters (MTX3,MTX5-D)"

6.3.7. Filter**6.3.7.1. HPF/LPF/BPF****Filter Type**

Same as 6.2.6.2. SPEAKER PROCESSOR HPF/LPF Type in "Other Parameters (MTX3,MTX5-D)"

6.3.8. Mixer**6.3.8.1. Dugan Automixer****Mode**

Same as 6.2.2.5. DUGAN AUTOMIXER Mode in "Other Parameters (MTX3,MTX5-D)"

Weight

Same as 6.2.2.5. DUGAN AUTOMIXER Weight in "Other Parameters (MTX3,MTX5-D)"

Group(2 - 4 Channel)

Value	Displayed value
0	a
1	b

Group(5 - 8 Channel)

Value	Displayed value
0	a
1	b
2	c
3	d

Group(9 - 24 Channel)

Value	Displayed value
0	a
1	b
2	c
3	d
4	e
5	f
6	g
7	h

6.3.9. Oscillator**Waveform**

Same as 6.2.5.2. OSCILLATOR Waveform in "Other Parameters (MTX3,MTX5-D)"

6.3.10. Paging**Range**

Same as 6.2.4.1. PAGING Range in "Other Parameters (MTX3,MTX5-D)"

6.3.11. Speech Privacy**Select Type**

Value	Displayed value
0	Forest
1	Seashore
2	Street
3	Building

6.3.12. Speaker Processor**HPF/LPF Type**

Same as 6.2.6.2. SPEAKER PROCESSOR HPF/LPF Type in "Other Parameters (MTX3,MTX5-D)"

PEQ Q

Same as 6.2.2.1. 3BAND EQ Q in "Other Parameters (MTX3,MTX5-D)"

PEQ B/WQ

Same as 6.2.6.1. 4BAND EQ B/W(Q) in "Other Parameters (MRX7-D)"

PEQ Type

Same as 6.2.6.2. SPEAKER PROCESSOR PEQ Type in "Other Parameters (MTX3,MTX5-D)"

Limiter Release

Same as 6.2.2.2. GATE Decay in "Other Parameters (MTX3,MTX5-D)"

Limiter Attack/Release Mode

Same as 6.2.6.2. SPEAKER PROCESSOR Limiter Attack/Release Mode in "Other Parameters (MTX3,MTX5-D)"

6.3.13. MY4-AEC (MTX5-D only)**6.3.13.1. MY4-AEC FBS****Width**

Same as 6.2.8.2. MY4-AEC FBS Width in "Other Parameters (MTX3,MTX5-D)"

Depth

Same as 6.2.8.2. MY4-AEC FBS Depth in "Other Parameters (MTX3,MTX5-D)"

7. Parameter List

7.1. MTX3/MTX5-D

Model		Access ID							Category	Parameter Name			MIN	MAX	unit	Remarks					
MTX3	MTX5-D	MemNo (Memory Number)	Uniqueld	ElmNo (Element Number)	Xpos (X Position)	Ypos (Y Position)	PmNo (Parameter Number)	IndexNo (Index Number)													
o	o	512	50000	0	0-7 (1-8ch)	0	0	0	INPUT PORT	INTERNAL HA	Internal Head Amp 8ch AD	Ch	Gain	-6	66	dB	0:OFF 1:ON				
o	o		50001	0	0-2	0	0	0				1	INPUT PORT SETUP	Internal ST input 3ch AD	Port	Summing	STEREO	SUM	-	0:STEREO 1:SUM * Not saved to presets	
o	o	512	20001	0	0	0-21 (0-7:1-8ch 8-13:STINIL-3R 14-21:9-16ch *DIRECT INPUT CH*)	0	0	INPUT PATCH	INPUT PATCH	InputPatch 30(62) Input x 22(30) Output	In	Patch	NONE	YDIF IN 16 (SLOT 16)	-	* See "6.2.1. INPUT PATCH" in "6. Parameter Values"				
o	o		20003	0	0-7 (1-8ch)	0	0	0													
o	o		20004	0	0-21 (0-7:9-16ch 8-13:STINIL-3R 14-21:17-24ch *DIRECT INPUT CH*)	0	0	0													
o	o	512	20002	0	0-7 (1-8ch)	0	0	0	INPUT CHANNEL	INPUT CHANNEL CH 1-8(16)	GAIN/ HPF	PreInput Section	In	Phase	OFF	ON	-	0:OFF 1:ON			
o	o		20005	0	0-7 (9-16ch)	0	0	0													
o	o	512	20002	0	0-7 (1-8ch)	0	1	0	INPUT CHANNEL	INPUT CHANNEL CH 1-8(16)	GAIN/ HPF	PreInput Section		D.Gain	-96.0	24.0	dB	dB x 10 ex. -14.5dB x 10 = -145			
o	o		20005	0	0-7 (9-16ch)	0	0	0													
o	o	512	20002	1	0-7 (1-8ch)	0	0	0	INPUT CHANNEL	INPUT CHANNEL CH 1-8(16)	GAIN/ HPF	PreInput Section	HPF	Frequency	20.0	20.0k	Hz	Hz x 1000 ex. 1000Hz x 1000 = 1000000			
o	o		20005	1	0-7 (9-16ch)	0	0	0													
o	o	512	20002	1	0-7 (1-8ch)	0	1	0	INPUT CHANNEL	INPUT CHANNEL CH 1-8(16)	GAIN/ HPF	PreInput Section	On	OFF	ON	-	0:OFF 1:ON				
o	o		20005	1	0-7 (9-16ch)	0	0	0													
o	o	512	20004	0	0-7 (1-8ch)	0-2 (0:Band A 1:Band B 2:Band C)	0	0	INPUT CHANNEL	INPUT CHANNEL CH 1-8(16)	GAIN/ HPF	PreInput Section	3BAND EQ	PEQ	8(16) Channel 3 Band	PEQ	Q(*)	63.0	0.1	-	* Valid only for PEQ * See "6.2.2.1. 3BAND EQ" in "6. Parameter Values"
o	o		20007	0	0-7 (9-16ch)	0	0	0													
o	o	512	20004	0	0-7 (1-8ch)	0-2 (0:Band A 1:Band B 2:Band C)	1	0	INPUT CHANNEL	INPUT CHANNEL CH 1-8(16)	GAIN/ HPF	PreInput Section		Frequency	20.0(*)	20.0k	Hz	* (100 : Other than Band A) Hz x 1000 ex. 1000Hz x 1000 = 1000000			
o	o		20007	0	0-7 (9-16ch)	0	0	0													
o	o	512	20004	0	0-7 (1-8ch)	0-2 (0:Band A 1:Band B 2:Band C)	2	0	INPUT CHANNEL	INPUT CHANNEL CH 1-8(16)	GAIN/ HPF	PreInput Section		Gain(*)	-18.0	18.0	dB	* Not adjustable for HPF/LPF dB x 10 ex. -14.5dB x 10 = -145			
o	o		20007	0	0-7 (9-16ch)	0	0	0													
o	o	512	20004	0	0-7 (1-8ch)	0-2 (0:Band A 1:Band B 2:Band C)	3	0	INPUT CHANNEL	INPUT CHANNEL CH 1-8(16)	GAIN/ HPF	PreInput Section		Bypass	OFF	ON	-	0:OFF 1:ON			
o	o		20007	0	0-7 (9-16ch)	0	0	0													
o	o	512	20004	0	0-7 (1-8ch)	0, 2 (0:Band A 2:Band C)	4	0	INPUT CHANNEL	INPUT CHANNEL CH 1-8(16)	GAIN/ HPF	PreInput Section		Type	PEQ	LPF	-	* See "6.2.2.1. 3BAND EQ" in "6. Parameter Values"			
o	o		20007	0	0-7 (9-16ch)	0	0	0													
o	o	512	20004	1	0-7 (1-8ch)	0	0	0	INPUT CHANNEL	INPUT CHANNEL CH 1-8(16)	GAIN/ HPF	PreInput Section	Property	PEQOn	OFF	ON	-	0:ON 1:OFF			
o	o		20007	1	0-7 (9-16ch)	0	0	0													

Model		Access ID							Category		Parameter Name				MIN	MAX	unit	Remarks					
MTX3	MTX5-D	MemNo (Memory Number)	Uniqueld	ElmNo (Element Number)	Xpos (X Position)	Ypos (Y Position)	PmNo (Parameter Number)	IndexNo (Index Number)															
o		512	40002	0	0-7 (1-8ch)	0	0	0	INPUT CHANNEL	INPUT CHANNEL CH 1-8(16)	GATE	Gate 8(16) Channel	Dyn	Threshold	-72	0	dB						
	o		40000																Range	-70	0	dB	
	o		40001		0-7 (9-16ch)																		
	o		40002	0	0-7 (1-8ch)	0	1	0											Attack	0	120	ms	
	o		40000																				
	o		40001		0-7 (9-16ch)																		
	o		40002	0	0-7 (1-8ch)	0	2	0											Decay	3.2m	42.600	s	* See "6.2.2.2. GATE" in "6. Parameter Values"
	o		40000																				
	o		40001		0-7 (9-16ch)																		
	o		40002	0	0-7 (1-8ch)	0	3	0								Hold	0.02m	1.96	s	* See "6.2.2.2. GATE" in "6. Parameter Values"			
	o		40000																				
	o		40001		0-7 (9-16ch)																		
	o		40002	0	0-7 (1-8ch)	0	4	0								ON	On	OFF	ON	-	0:OFF 1:ON		
	o		40000																				
	o		40001		0-7 (9-16ch)																		
	o		40002	1	0-7 (1-8ch)	0	0	0															
	o		40000																				
	o		40001		0-7 (9-16ch)																		
	o		40002	0	0-7 (1-8ch)	0	0	0					COMPRESSOR	Compressor 8(16) Channel	Dyn	Threshold	-54	0	dB				
	o		40002																				
	o		40003		0-7 (9-16ch)																		
	o		40000	0	0-7 (1-8ch)	0	1	0											Ratio	1.0:1	∞:1	-	* See "6.2.2.3. COMPRESSOR" in "6. Parameter Values"
	o		40002																				
	o		40003		0-7 (9-16ch)																		
	o		40000	0	0-7 (1-8ch)	0	2	0											Knee	HARD	5	-	* See "6.2.2.3. COMPRESSOR" in "6. Parameter Values"
	o		40002																				
	o		40003		0-7 (9-16ch)																		
	o		40000	0	0-7 (1-8ch)	0	3	0											Attack	0	120	ms	
	o		40002																				
	o		40003		0-7 (9-16ch)																		
	o		40000	0	0-7 (1-8ch)	0	4	0											Release	3.2m	42.600	s	* See "6.2.2.2. GATE" / Decay in "6. Parameter Values"
	o		40002																				
	o		40003		0-7 (9-16ch)																		
	o		40000	0	0-7 (1-8ch)	0	5	0											Gain	0.0	18.0	dB	dB x 10 ex. 5.2dB x 10 = 52
	o		40002																				
	o		40003		0-7 (9-16ch)																		
	o		40000	1	0-7 (1-8ch)	0	0	0						ON	On	OFF	ON	-	0:OFF 1:ON				
	o		40002																				
	o		40003		0-7 (9-16ch)																		
	o		40005	0	0-3 (1-4ch)	0	0	0			FBS	Feedback Suppressor 4(8) Channel	Dynamic	Auto Detect	OFF	ON	-	0:OFF 1:ON					
	o		40004		0-7 (1-8ch)												Clear	OFF	ON	-	Write 1 to start the clear process. When the process finishes, the value automatically returns to 0.		
	o		40005	0	0-3 (1-4ch)	0	1	0															
	o		40004		0-7 (1-8ch)																		
	o		40005	1	0-3 (1-4ch)	0-6 (Freq1-7)	0	0							DynFilter	Frequency	20.0	20.0k	Hz	read-only parameter			
	o		40004		0-7 (1-8ch)																		
	o		40005	2	0-3 (1-4ch)	0	0	0							Fixed	On	OFF	ON	-	0:OFF 1:ON			
	o		40004		0-7 (1-8ch)																		
	o		40005	2	0-3 (1-4ch)	0	1	0								Detect	OFF	ON	-	0:OFF 1:ON			
	o		40004		0-7 (1-8ch)																		
	o		40005	2	0-3 (1-4ch)	0	2	0								Clear	OFF	ON	-	Write 1 to start the clear process. When the process finishes, the value automatically returns to 0.			
	o		40004		0-7 (1-8ch)																		

Model		Access ID							Category		Parameter Name				MIN	MAX	unit	Remarks
MTX3	MTX5-D	MemNo (Memory Number)	Uniqueld	ElmNo (Element Number)	Xpos (X Position)	Ypos (Y Position)	PmNo (Parameter Number)	IndexNo (Index Number)										
o	o	512	40005	3	0-3 (1-4ch)	0-6 (Freq1-7)	0	0	INPUT CHANNEL CH 1-8(16)	FBS	Feedback Suppressor 4(8) Channel	Fixed Filter	Frequency	20.0	20.0k	Hz	Readable. Writing is also possible.	
o	o		40004		0-7 (1-8ch)					AGC	AutoGain Control 4(8) Channel	Compensator	Response Time	100m	5.0	s	* See "6.2.2.4. AGC" in "6. Parameter Values"	
o	o		40004	0	0-3 (1-4ch)	0	0						Level	1	5	-		
o	o		40005		0-7 (1-8ch)		1						Noise Gate On	OFF	ON	-	0:OFF 1:ON	
o	o		40004		0-3 (1-4ch)		2						On	On	OFF	ON	-	0:OFF 1:ON
o	o		40005		0-7 (1-8ch)													
o	o		40004	1	0-3 (1-4ch)	0	0	0										
o	o		40005		0-7 (1-8ch)													
o	o		60000	0	0-7 (1-8ch)	0	0	0			INPUT CHANNEL LEVEL	Fader 8(16) Channel	Fader	Level	-∞	10.00	dB	dB x 100 ex. -73.60dB x 100 = -7360 "setr" command is available for this parameter
o	o		60001	0	0-7 (1-8ch)	0	0	0					On	On	OFF	ON	-	0:OFF 1:ON
o	o				0-15 (1-16ch)													
o	o		70000	0	0-7 (1-8ch)	0	0	0			Channel Name	Channel Name 8(16) Channel	ChName	Name	Charactor (UTF-8) 48byte	-	-	Notification only
o	o				0-15 (1-16ch)													
o	o		20033	0	0-15 (1-16ch)	0	0	0			Insert	Insert with MY card 16 Channel	Insert	Insert	OFF	ON	-	CH * Ins.Out ->SLOT OUT * CH * Ins.In -> SLOT In *
o	o		30000	0	0-5 (STIN1L- 3R)	0	0	0		STEREO INPUT CHANNEL STIN 1L-3R	GAIN/ HPF	Digital Gain 6 Channel	Ch	D.Gain	-96.0	24.0	dB	dB x 10 ex. -14.5dB x 10 = -145
o	o		30001	0	0-5 (STIN1L- 3R)	0-2 (0:Band A 1:Band B 2:Band C)	0	0			3BAND EQ	PEQ 6 Channel 3 Band	PEQ	Q(*)	63.0	0.1	-	* See "6.2.2.1. 3BAND EQ" in "6. Parameter Values"
o	o						1	0					Frequency	20.0(*)	20.0k	Hz	*(100 : Other than Band A) Hz x 1000 ex. 1000Hz x 1000 = 1000000	
o	o						2	0					Gain(*)	-18.0	18.0	dB	* Not adjustable for HPF/LPF dB x 10 ex. -14.5dB x 10 = -145	
o	o						3	0					Bypass	OFF	ON	-	0:OFF 1:ON	
o	o						4	0					Type	PEQ	LPF	-	* See "6.2.2.1. 3BAND EQ" in "6. Parameter Values"	
o	o					0, 2 (0:Band A 2:Band C)							Property	PEQOn	OFF	ON	-	0:ON 1:OFF
o	o			1		0	0	0										

Model		Access ID							Category		Parameter Name				MIN	MAX	unit	Remarks							
MTX3	MTX5-D	MemNo (Memory Number)	Uniqueld	ElmNo (Element Number)	Xpos (X Position)	Ypos (Y Position)	PmNo (Parameter Number)	IndexNo (Index Number)																	
o		512	40001	0	0-3 (STIN1L- 2R)	0	0	0	INPUT CHANNEL	STEREO INPUT CHANNEL STIN 1L-3R	COMPRESSOR	Compressor 4 Channel	Dyn	Threshold	-54	0	dB								
	o		40006	0			0	1						0						Ratio	1.0:1	∞:1	-	* See "6.2.2.3. COMPRESSOR" in "6. Parameter Values"	
	o		40006																	Knee	HARD	5	-	* See "6.2.2.3. COMPRESSOR" in "6. Parameter Values"	
o			40001	0			0	2						0						Attack	0	120	ms		
	o		40006																	Release	3.2m	42.600	s	* See "6.2.2.2. GATE" / Decay in "6. Parameter Values"	
o			40001	0			0	3						0						Gain	0.0	18.0	dB	dB x 10 ex. 5.2dB x 10 = 52	
	o		40006																	On	On	OFF	ON	-	0:OFF 1:ON
o			40001	0			0	4						0											
	o		40006																						
o			40001	0			0	5						0											
	o		40006																						
o			40001	1		0	0	0																	
	o		40006																						
o			40003	0	0-3 (STIN1L- 2R)	0	0	0		AGC	AutoGain Control 4 Channel	Compensator	Response Time	Level	100m	5.0	s	* See "6.2.2.4. AGC" in "6. Parameter Values"							
	o		40007	0			0	1	0										Level	1	5	-			
o			40003	0			0	2	0										Noise GateOn	OFF	ON	-	0:OFF 1:ON		
	o		40007	0			0	0	0										On	On	OFF	ON	-	0:OFF 1:ON	
o			40003	1			0	0	0																
	o		40007																						
o			60000	0	8-13 (ST IN 1L-ST IN 3R) 16-21 (ST1L- ST3R)	0	0	0		INPUT CHANNEL LEVEL	Fader 6 Channel	Fader	Level	-∞	10.00	dB	dB x 100 ex. -73.60dB x 100 = -7360 "setr" command is available for this parameter								
	o			0			0	0																	
o			60001	0	8-13 (ST1L- ST3R) 16-21 (ST1L- ST3R)	0	0	0																	
	o			0			0	0	0																
o	o		70004	0	0-5 (ST1L- ST3R)	0	0	0		Channel Name	Channel Name 3 Channel	ChName	Name	Charactor (UTF-8) 48byte	-			Notification only							
o			60000	0	14-21 (9-16Ch "DIRECT INPUT CH") 22-29 (17-24Ch "DIRECT INPUT CH")	0	0	0	DIRECT INPUT CHANNEL CH 9 - 16 (17 - 24)	INPUT CHANNEL LEVEL	Fader 8 Channel	Fader	Level	-∞	10.00	dB	dB x 100 ex. -73.60dB x 100 = -7360 "setr" command is available for this parameter								
	o			0			0	0																	
o			60001	0		14-21 (9-16Ch "DIRECT INPUT CH") 22-29 (17-24Ch "DIRECT INPUT CH")	0	0						0											
	o			0				0						0	0										
o			70000	0	8-15 (9-16ch) 0-7 (17-24ch)	0	0	0		Channel Name	Channel Name 8 Channel	ChName	Name	Charactor (UTF-8) 48byte	-			Notification Only							
	o		70003	0			0	0	0																

Model		Access ID							Category		Parameter Name				MIN	MAX	unit	Remarks							
MTX3	MTX5-D	MemNo (Memory Number)	Uniqueld	ElmNo (Element Number)	Xpos (X Position)	Ypos (Y Position)	PmNo (Parameter Number)	IndexNo (Index Number)																	
o		512	20008	0	0-3 (Fx.RTN1L-2R)	0	0	0	INPUT CHANNEL	EFFECT ST RETURN 1L-2R	EFFECT ST RETURN	Fader 4 Channel	Fader	Level	-∞	10.00	dB	dB x 100 ex. -73.60dB x 100 = -7360							
	o		20014														On	On	OFF	ON	-	0:OFF 1:ON			
o			20008	1																					
	o		20014																						
o	o		70004	0	6-7 (FxRtn1, FxRtn2)	0	0	0			Channel Name	Channel Name 2 Channel	ChName	Name	Charactor (UTF-8) 48byte										
			60000	1	0-21 (0-7:1-8ch 8-13:ST1L-ST3R 14-21:9-16Ch "DIRECT INPUT CH")	0-7 (A-H)	0	0		INPUT CHANNEL DCA	INPUT CHANNEL DCA	INPUT CHANNEL DCA	DCA Assign	Assign On	OFF	ON	-	0:OFF 1:ON							
	o				0-29 (0-15:1-16ch 16-21:ST1L-ST3R 22-29:17-24Ch "DIRECT INPUT CH")																				
o	o			2	0								Group Master	Level	-∞	10.00	dB	dB x 100 ex. -73.60dB x 100 = -7360 "setr" command is available for this parameter							
			60001	1	0-21 (0-7:1-8ch 8-13:ST1L-ST3R 14-21:9-16Ch "DIRECT INPUT CH")	0-7 (A-H)	0	0		INPUT CHANNEL MUTE	INPUT CHANNEL MUTE	DCA Mute	DCA Assign	Assign On	OFF	ON	-	0:OFF 1:ON							
	o				0-29 (0-15:1-16ch 16-21:ST1L-ST3R 22-29:17-24Ch "DIRECT INPUT CH")																				
o	o		2	0								Group Master	MuteOn	OFF	ON	-	0:OFF 1:ON								
o		50011	0	0	0-1 (0:a 1:b)	0-3 (0:a 1:b 2:c 3:d)	0	0	Dugan Auto Mixer	Dugan AUTO MIXER	Auto Mixer 4 (8) Channel	Master	Override	OFF	ON	-	0:OFF 1:ON								
	o																							Mute	OFF
o								0-1 (0:a 1:b)						1											
	o							0-3 (0:a 1:b 2:c 3:d)																	
o						1	0-3 (0-3:CH1-4)	0					0						Ch	Mode*	Mute	Auto	-	* See "6.2.2.5. DUGAN AUTOMIXER" in "6. Parameter Values"	
	o						0-7 (0-7:CH1-8)																		
o							0-3 (0-3:CH1-4)							1						Weight	-100.0	15.0	dB	* See "6.2.2.5. DUGAN AUTOMIXER" in "6. Parameter Values"	
	o						0-7 (0-7:CH1-8)																		
o							0-3 (0-3:CH1-4)							2						Group*	a	b	-	* See "6.2.2.5. DUGAN AUTOMIXER" in "6. Parameter Values"	
	o						0-7 (0-7:CH1-8)															d		* See "6.2.2.5. DUGAN AUTOMIXER" in "6. Parameter Values"	
o				0-3 (0-3:CH1-4)			3						Override	OFF	ON	-	0:OFF 1:ON								
	o			0-7 (0-7:CH1-8)																					

Model		Access ID							Category	Parameter Name				MIN	MAX	unit	Remarks																		
MTX3	MTX5-D	MemNo (Memory Number)	Uniqueld	ElmNo (Element Number)	Xpos (X Position)	Ypos (Y Position)	PmNo (Parameter Number)	IndexNo (Index Number)																											
o		512	20006	0	0-1 (Effect1-2)	0	1	0	EFFECT	EFFECT	Effect	Effect	Type	Reverb Hall	Vocal Echo	-	* See "6.2.3. EFFECT" in "6. Parameter Values"																		
	o		20013																																
o			20006	1				0												Simple Effect	RevHall Time	0.3	10.0	s	* See "6.2.3. EFFECT" in "6. Parameter Values"										
	o		20013																																
o			20006					1																		RevStage Time	0.3	10.0	s	* See "6.2.3. EFFECT" in "6. Parameter Values"					
	o		20013																																
o			20006					2																							Karaoke Time	0.4	400	ms	* See "6.2.3. EFFECT" in "6. Parameter Values"
	o		20013																																
o		20006			3			Vocal Time	0.4	400	ms	* See "6.2.3. EFFECT" in "6. Parameter Values"																							
	o	20013																																	
o		30002	1	0-25 (0-7:CH1-8 8-13:STINIL-3R 14-21:CH9-16 22-25:FR1L-2R)	0-7 (MATRIX1-8 SEND)	0	0						MATRIX	MATRIX SEND	MATRIX (ZONE OUT MONO) 26(34) Input x 8(16) Output	Ch	Level	-∞	0.00	dB	dB x 100 ex. -73.60dB x 100 = -7360 "setr" command is available for this parameter When Input channels are set as Stereo, Send to Matrix parameters for Stereo Input channels are linked. 0:OFF 1:ON When Input channels are set as Stereo, Send to Matrix parameters for Stereo Input channels are linked.														
	o		1	0-33 (0-15:CH1-16 16-21:STINIL-3R 22-29:CH17-24 30-33:FR1L-2R)	0-15 (MATRIX1-16 SEND)	0	0																												
o			1	0-25 (0-7:CH1-8 8-13:STINIL-3R 14-21:CH9-16 22-25:FR1L-2R)	0-7 (MATRIX1-8 SEND)	1	0																			On	OFF	ON	-						
	o		1	0-33 (0-15:CH1-16 16-21:STINIL-3R 22-29:CH17-24 30-33:FR1L-2R)	0-15 (MATRIX1-16 SEND)	1	0																												

7. Parameter List

Model		Access ID							Category	Parameter Name			MIN	MAX	unit	Remarks	
MTX3	MTX5-D	MemNo (Memory Number)	Uniqueld	ElmNo (Element Number)	Xpos (X Position)	Ypos (Y Position)	PmNo (Parameter Number)	IndexNo (Index Number)									
o		512	30002	1	0-25 (0-7:CH1-8 8-13:STINIL-3R 14-21:CH9-16 22-25:FR1L-2R)	0-7 (MATRIX1-8 SEND)	0	0	MATRIX	MATRIX SEND	MATRIX (ZONE OUT STEREO) 26(34) Input x 8(16) Output	Ch	Level	-∞	0.00	dB	dB x 100 ex. -73.60dB x 100 = -7360 "setr" command is available for this parameter When Input channels are set as Mono, Send to Stereo Matrix parameters for Mono Input channels (i.e. two parameters in total) are linked.
	o			1	0-33 (0-15:CH1-16 16-21:STINIL-3R 22-29:CH17-24 30-33:FR1L-2R)	0-15 (MATRIX1-16 SEND)	0	0									When Input channels are set as Stereo, Send to Stereo Matrix parameters for Stereo Input channels (i.e. four parameters in total) are linked.
o				1	0-25 (0-7:CH1-8 8-13:STINIL-3R 14-21:CH9-16 22-25:FR1L-2R)	0-7 (MATRIX1-8 SEND)	1	0				On	OFF	ON	-	0:OFF 1:ON	When Input channels are set as Mono, Send to Stereo Matrix parameters for Mono Input channels (i.e. two parameters in total) are linked.
	o			1	0-33 (0-15:CH1-16 16-21:STINIL-3R 22-29:CH17-24 30-33:FR1L-2R)	0-15 (MATRIX1-16 SEND)	1	0									When Input channels are set as Stereo, Send to Stereo Matrix parameters for Stereo Input channels (i.e. four parameters in total) are linked.
o				1	0-25 (0-7:CH1-8 8-13:STINIL-3R 14-21:CH9-16 22-25:FR1L-2R)	0-7 (MATRIX1-8 SEND)	2	0				Pan	L63	R63	-	-63 :L63 0:C 63:R63 e.g. L31 = -31 Valid only for odd channels and available only when destination Matrix channels are paired.	
	o			1	0-33 (0-15:CH1-16 16-21:STINIL-3R 22-29:CH17-24 30-33:FR1L-2R)	0-15 (MATRIX1-16 SEND)	2	0									
o			20026	0	0-7 (MATRIX OUT1-8)	0	0	0			MATRIX OUT	Ch	Level	-∞	10.00	dB	dB x 100 ex. -73.60dB x 100 = -7360 "setr" command is available for this parameter
	o		20035	0	0-15 (MATRIX OUT1-16)	0	0	0									

Model		Access ID							Category	Parameter Name				MIN	MAX	unit	Remarks		
MTX3	MTX5-D	MemNo (Memory Number)	Uniqueld	ElmNo (Element Number)	Xpos (X Position)	Ypos (Y Position)	PmNo (Parameter Number)	IndexNo (Index Number)											
o	o	512	20010	0	0-21 (0-7:CH1-8 8-13:STN1L-3R 14-21:CH9-16)	0-3 (0:FX 1 SEND 1:FX 2 SEND 2:ANC 1 SEND 3:ANC 2 SEND)	0	0	MATRIX	FX/ANC SEND	Matrix Mixer 22(30) Input 4 Output	Ch	Level	-∞	0.00	dB	dB x 100 ex. -73.60dB x 100 = -7360 "setr" command is available for this parameter		
			20017	0	0-29 (0-15:CH1-16 16-21:STN1L-3R 22-29:CH17-24)								1	0	On	OFF		ON	-
20010	0	0-21 (0-7:CH1-8 8-13:STN1L-3R 14-21:CH9-16)	0	0	0	0	0	0							0	0		0	0
20017	0	0-29 (0-15:CH1-16 16-21:STN1L-3R 22-29:CH17-24)											0	0					
o	o	50013	0	0	0-4 (0:1st MIC 1:MIC 2 2:MIC 3 3:MIC 4 4:SD)	0	0	ZONE	ZONE OUT 1-8(16)	PAGING	Router 48 Input 6 Output	In			Patch	None	ANC BUS 2	-	* See "6.2.4.1. PAGING" in "6. Parameter Values"
			50012	0	0								0	0	0	PAGING 16ch	On Gain	On Range	OFF -∞
o	o	20011	0	0	0-7 (0:ZONE1 2nd PRIORITY PRIORITY SOURCE : 7:ZONE8 2nd PRIORITY PRIORITY SOURCE)	0	0	2nd PRIORITY	PRIORITY SOURCE	In	Patch	None	ANC BUS 2	-	-	-	* See "6.2.4.2. 1st/2nd PRIORITY" in "6. Parameter Values"		
			20018	0	0													0	0
o	o	20012	0	0	0-7 (ZONE1-8)	0	0	PRIORITY DUCKER	Dyn	Threshold	-54	0	dB	-	-	-	-		
			20019	0	0													0	0
o	o	20012	0	0	0	0	0	1	Range	-70	0	dB	-	-	-	-	-		
			20019	0	0													0	0
o	o	20012	0	0	0	0	0	2	Attack	0	240	ms	-	-	-	-	-		
			20019	0	0													0	0
o	o	20012	0	0	0	0	0	3	Release	3.2m	42.600	s	-	-	-	-	* See "6.2.2.2. GATE" / Decay in "6. Parameter Values"		
			20019	0	0													0	0
o	o	20012	0	0	0	0	0	4	Hold	0.02m	1.96	s	-	-	-	-	* See "6.2.2.2. GATE" in "6. Parameter Values"		
			20019	0	0													0	0
o	o	20012	1	0	0	0	0	Source	Level	-∞	0.00	dB	-	-	-	-	dB x 100 ex. -73.60dB x 100 = -7360 "setr" command is available for this parameter		
			20019	0	0													0	0
o	o	20012	0	0	0	0	0	1	On	OFF	ON	-	-	-	-	-	0:OFF 1:ON		
			20019	0	0													0	0
o	o	20011	0	0	8-15 (8:ZONE1 1st PRIORITY PRIORITY SOURCE : 15:ZONE8 1st PRIORITY PRIORITY SOURCE)	0	0	1st PRIORITY	PRIORITY SOURCE	In	Patch	None	ANC BUS 2	-	-	-	* See "6.2.4.2. 1st/2nd PRIORITY" in "6. Parameter Values"		
			20018	0	0													0	0

Model		Access ID							Category	Parameter Name				MIN	MAX	unit	Remarks											
MTX3	MTX5-D	MemNo (Memory Number)	Uniqueld	ElmNo (Element Number)	Xpos (X Position)	Ypos (Y Position)	PmNo (Parameter Number)	IndexNo (Index Number)		Parameter Name	Parameter Name	Parameter Name	Parameter Name															
o	o	512	20013	0	0-7 (ZONE1-8)	0	0	0	ZONE ZONE OUT 1-8(16)	1st PRIORITY	PRIORITY DUCKER	Dyn	Threshold	-54	0	dB	* See "6.2.2.2. GATE" / Decay in "6. Parameter Values"											
o	o		20020	20013									1	Range	-70	0		dB										
o	o		20020											20013	2	Attack		0	240	ms								
o	o		20020													20013		3	Release	3.2m	42.600	s						
o	o		20020	20013	4	Hold	0.02m	1.96					s															
o	o		20020			20013	1	0					Source	Level	-∞	0.00		dB	dB x 100 ex. -73.60dB x 100 = -7360 "setr" command is available for this parameter									
o	o		20020	20013	1									On	OFF	ON		-		0:OFF 1:ON								
o	o		20020											ANC	ANC SOURCE	In		Patch		None	ANC BUS 2	-	* See "6.2.4.2. 1st/2nd PRIORITY" in "6. Parameter Values"					
o	o		20011	0	0	16-23 (16:ZONE1 ANC AMBIENT SOURCE : 23:ZONE8 ANC AMBIENT SOURCE)	0	0					Ambient Noise Compensator 8 Channel	Ambient	Threshold	-∞		0.00	dB	dB x 100 ex. -73.60dB x 100 = -7360 "setr" command is available for this parameter								
o	o		20021	20014	1																0	0	Gap	Threshold	-∞	0.00	dB	dB x 100 ex. -73.60dB x 100 = -7360 "setr" command is available for this parameter
o	o		20021																									
o	o		20021	20014	2																0	Program	Max Gain	0.0	18.0	dB	dB x 10 ex. 5.2dB x 10 = 52	
o	o		20021																									20014
o	o		20021	20014	2																2	Ratio	0.5:1	2.0:1	-	* See "6.2.4.3. ANC" in "6. Parameter Values"		
o	o	20021	20014						3	0	Response Time	1					60										s	
o	o	20021		20014	3																0	On	On	OFF	ON	-		
o	o	60002	0						0-7 (ZONE1-8)	0	0	0					ZONE OUTPUT MASTER					Fader	Level	-∞	10.00	dB	dB x 100 ex. -73.60dB x 100 = -7360 "setr" command is available for this parameter	
o	o	0-15 (ZONE1-16)																										
o	o	60003	0	0-7 (ZONE1-8)	0				0	0	On	On					OFF				ON	-	0:OFF 1:ON					
o	o	0-15 (ZONE1-16)																										
o	o	70001	0	0-7 (ZONE1-8)	0				0	0	Channel Name	Channel Name					ChName				Name	Charactor (UTF-8)	-	Notification Only				
o	o	70005	0-7 (ZONE9-16)																									

Model		Access ID							Category		Parameter Name				MIN	MAX	unit	Remarks								
MTX3	MTX5-D	MemNo (Memory Number)	Uniqueld	ElmNo (Element Number)	Xpos (X Position)	Ypos (Y Position)	PmNo (Parameter Number)	IndexNo (Index Number)																		
o		512	60002	1	0-7 (ZONE1-8)	0-7 (A-H)	0	0	ZONE	ZONE DCA/ MUTE 1-8(16)	ZONE OUT DCA	DCA Fader 8(16) Channel	DCA Assign	Assign On	OFF	ON	-	0:OFF 1:ON								
	o																	Group Master	Level	-∞	10.00	dB	dB x 100 ex. -73.60dB x 100 = -7360 "setr" command is available for this parameter			
o	o				2	0	0-7 (A-H)	0																		
o				60003	1	0-7 (ZONE1-8)	0-7 (A-H)	0	0			ZONE OUT MUTE	DCA Mute 8(16) Channel	DCA Assign	Assign On	OFF	ON	-	0:OFF 1:ON							
	o				2	0	0-7 (A-H)	0								Group Master	MuteOn	OFF	ON	-	0:OFF 1:ON					
o				20016	1	0	0-7 (OUT1-8)	0	0	ROUTER	OSCILLATOR	ROUTOR	Bus Out Router 24(32) Input x 8(16) Output	In	Patch	NONE	YDIF OUT 16	-	* See "6.2.5.1. ROUTER" in "6. Parameter Values"							
	o			20023		0-15 (OUT1-16)																				
o				20016	1	0	0-7 (OUT1-8)	0										OSC Patch	On	OFF	ON	-	0:OFF 1:ON			
	o			20023		0-15 (OUT1-16)																				
o	o			50002	0	0	0	0	0			OSCILLATOR	Oscillator Mono	Oscillator	Level	-∞	0	dB	dB x 100 ex. -73.60dB x 100 = -7360 "setr" command is available for this parameter							
	o																						On	OFF	ON	-
o	o																					Vari Frequency	20.0(*)	20.0k	Hz	Hz x 1000 ex. 1000Hz x 1000 = 1000000
	o																					Wave form(*)			-	* See "6.2.5.2. OSCILLATOR" in "6. Parameter Values"
o	o																									

Model		Access ID						Category		Parameter Name			MIN	MAX	unit	Remarks								
MTX3	MTX5-D	MemNo (Memory Number)	UniqueId	ElmNo (Element Number)	Xpos (X Position)	Ypos (Y Position)	PmNo (Parameter Number)	IndexNo (Index Number)																
o		512	20017	0	0-7 (OUT1-8)	0	0	0	OUTPUT CHANNEL	OUTPUT CH STRIP 1-8(16) (1way/2way)	OUTPUT CHANNEL LEVEL	Fader 8(16) Channel	Fader	Level	-∞	10.00	dB	dB x 100 ex. -73.60dB x 100 = -7360 "setr" command is available for this parameter						
	o		20024		0-15 (OUT1-16)																			
o			20017	1	0-7 (OUT1-8)														On	On	OFF	ON	-	0:OFF 1:ON
	o		20024		0-15 (OUT1-16)																			
o			70002	0	0-7 (OUT1-8)	0	0	0					0			Channel Name	Channel Name 8(16) Channel		ChName	Name	Charactor (UTF-8) 48byte	-	-	Notification Only
	o		70006		0-7 (OUT9-16)																			
o			20018	0	0-7 (OUT1-8)	0	0	0					0			DELAY	Delay 8(16) Channel		Delay	On	OFF	ON	-	0:OFF 1:ON
	o		20025		0-15 (OUT1-16)																			
o			20018	0	0-7 (OUT1-8)		1													Delay Time	0.00	1000.00	ms	ms x 100 ex. 102.80ms x 100 = 10280
	o		20025		0-15 (OUT1-16)																			
o			20019	0	0-7 (OUT1-8)	0-3 (0:Band A 1:Band B 2:Band C 3:Band D)	0	0					0			4BAND EQ	PEQ 8(16) Channel 4 Band		PEQ	Q(*)	63.0	0.1	-	* See "6.2.2.1. 3BAND EQ" in "6. Parameter Values"
	o		20026		0-15 (OUT1-16)																			
o			20019	0	0-7 (OUT1-8)		1	0					0							Frequency	20.0(*)	20.0k	Hz	*(100 : Other than Band A) Hz x 1000 ex. 1000Hz x 1000 = 1000000
	o		20026		0-15 (OUT1-16)																			
o			20019	0	0-7 (OUT1-8)		2	0					0							Gain(*)	-18.0	18.0	dB	* Not adjustable for HPF/LPF dB x 10 ex. -14.5dB x 10 = -145
	o		20026		0-15 (OUT1-16)																			
o			20019	0	0-7 (OUT1-8)		3	0					0							Bypass	OFF	ON	-	0:OFF 1:ON
	o		20026		0-15 (OUT1-16)																			
o			20019	0	0-7 (OUT1-8)	0, 3 (0:Band A 3:Band D)	4	0					0							Type	PEQ	LPF	-	* See "6.2.2.1. 3BAND EQ" in "6. Parameter Values"
	o		20026		0-15 (OUT1-16)																			
o		20019	1	0-7 (OUT1-8)	0	0	0	0						Property	PEQon	OFF	ON	-	0:ON 1:OFF					
	o	20026		0-15 (OUT1-16)																				
o		40006-40013 (40006:OUT1 40007:OUT2 : : 40013:OUT8)	1	0	0	0	0	0			SPEAKER PROCESSOR	Speaker Processor 1 Way *Speaker Processor type (1 Way or 2 Way) is configurable through MTX Editor software.	Delay	On	OFF	ON	-	0:OFF 1:ON						
	o	40008-40023 (40008:OUT1 40008:OUT2 : : 40023:OUT16)																						
o		40006-40013 (40006:OUT1 40007:OUT2 : : 40013:OUT8)	1	0	0	1	0	0						Delay Time	0.00	500.00	ms	ms x 100 ex. 102.80ms x 100 = 10280						
	o	40008-40023 (40008:OUT1 40008:OUT2 : : 40023:OUT16)																						

Model		Access ID							Category		Parameter Name			MIN	MAX	unit	Remarks	
MTX3	MTX5-D	MemNo (Memory Number)	UniqeId	ElmNo (Element Number)	Xpos (X Position)	Ypos (Y Position)	PmNo (Parameter Number)	IndexNo (Index Number)										
o		512	4006-4013 (4006:OUT1 4007:OUT2 : : 4013:OUT8)	2	0	0	2	0	OUTPUT CHANNEL	OUTPUT CH STRIP 1-8(16) (1way/2way)	SPEAKER PROCESSOR	Speaker Processor 1 Way *Speaker Processor type (1 Way or 2 Way) is configurable through MTX Editor software.	Band	LPF Frequency	20.0	20.0k	Hz	Hz x 1000 ex. 1000Hz x 1000 = 1000000
	o		4006-4023 (4006:OUT1 4008:OUT2 : : 4023:OUT16)															
o			4006-4013 (4006:OUT1 4007:OUT2 : : 4013:OUT8)	2	0	0	3	0					HPF	Frequency	20.0	20.0k	Hz	Hz x 1000 ex. 1000Hz x 1000 = 1000000
	o		4006-4023 (4006:OUT1 4008:OUT2 : : 4023:OUT16)															
o			4006-4013 (4006:OUT1 4007:OUT2 : : 4013:OUT8)	2	0	0	4	0					LPFType	Thru	48dB/ Oct	Linkwitz	-	* See "6.2.6.2. SPEAKER PROCESSOR" in "7. Parameter Values"
	o		4006-4023 (4006:OUT1 4008:OUT2 : : 4023:OUT16)															
o			4006-4013 (4006:OUT1 4007:OUT2 : : 4013:OUT8)	2	0	0	5	0					HPFType	Thru	48dB/ Oct	Linkwitz	-	* See "6.2.6.2. SPEAKER PROCESSOR" in "7. Parameter Values"
	o		4006-4023 (4006:OUT1 4008:OUT2 : : 4023:OUT16)															
o			4006-4013 (4006:OUT1 4007:OUT2 : : 4013:OUT8)	2	0	0	6	0					LPFGc(*)	-6	6	dB	-	*Valid only for AdjustGc
	o		4006-4023 (4006:OUT1 4008:OUT2 : : 4023:OUT16)															
o			4006-4013 (4006:OUT1 4007:OUT2 : : 4013:OUT8)	2	0	0	7	0					HPFGc(*)	-6	6	dB	-	*Valid only for AdjustGc
	o		4006-4023 (4006:OUT1 4008:OUT2 : : 4023:OUT16)															
o			4006-4013 (4006:OUT1 4007:OUT2 : : 4013:OUT8)	2	0	0	8	0					Polarity	NORMAL	INVERTED	-	0:NORMAL 1:INVERTED	
	o		4006-4023 (4006:OUT1 4008:OUT2 : : 4023:OUT16)															

7. Parameter List

Model		Access ID						Category		Parameter Name			MIN	MAX	unit	Remarks		
MTX3	MTX5-D	MemNo (Memory Number)	UniqeId	ElmNo (Element Number)	Xpos (X Position)	Ypos (Y Position)	PmNo (Parameter Number)	IndexNo (Index Number)										
o		512	4006-4013 (4006:OUT1 4007:OUT2 : : 4013:OUT8)	4	0	0-5 (0:Band A 1:Band B 2:Band C 3:Band D 4:Band E 5:Band F)	0	0	OUTPUT CHANNEL	OUTPUT CH STRIP 1-8(16) (1way/2way)	SPEAKER PROCESSOR	Speaker Processor 1 Way *Speaker Processor type (1 Way or 2 Way) is configurable through MTX Editor software.	PEQ	Q(*)	63.0	0.1	-	* See "6.2.2.1. 3BAND EQ" in "7. Parameter Values"
	o		4006-4023 (4006:OUT1 4008:OUT2 : : 4023:OUT16)															
o			4006-4013 (4006:OUT1 4007:OUT2 : : 4013:OUT8)	4	0		1	0					Frequency	20.0(*)	20.0k	Hz	*(For 500 : HORN EQ 100 : Other than Band A) Hz x 1000 ex. 1000Hz x 1000 = 1000000	
	o		4006-4023 (4006:OUT1 4008:OUT2 : : 4023:OUT16)															
o			4006-4013 (4006:OUT1 4007:OUT2 : : 4013:OUT8)	4	0		2	0					Gain(*)	-18.0	18.0	dB	* Not adjustable for HPF/LPF/APF 1st/APF 2nd dB x 10 ex. -14.5dB x 10 = -145	
	o		4006-4023 (4006:OUT1 4008:OUT2 : : 4023:OUT16)															
o			4006-4013 (4006:OUT1 4007:OUT2 : : 4013:OUT8)	4	0		3	0					Bypass	OFF	ON	-	0:OFF 1:ON	
	o		4006-4023 (4006:OUT1 4008:OUT2 : : 4023:OUT16)															
o			4006-4013 (4006:OUT1 4007:OUT2 : : 4013:OUT8)	4	0		4	0					Type	PEQ	Horn EQ	-	* See "6.2.6.2. SPEAKER PROCESSOR" in "7. Parameter Values"	
	o		4006-4023 (4006:OUT1 4008:OUT2 : : 4023:OUT16)															
o			4006-4013 (4006:OUT1 4007:OUT2 : : 4013:OUT8)	5	0	0	0	0					Limiter	Threshold	-54	0	dB	
	o		4006-4023 (4006:OUT1 4008:OUT2 : : 4023:OUT16)															
o			4006-4013 (4006:OUT1 4007:OUT2 : : 4013:OUT8)	5	0	0	1	0					Attack	0.0	120.0	ms	ms x 10 ex. 24.5ms x 10 = 245	
	o		4006-4023 (4006:OUT1 4008:OUT2 : : 4023:OUT16)															
o			4006-4013 (4006:OUT1 4007:OUT2 : : 4013:OUT8)	5	0	0	2	0					Release	3.2m	42.600	s	* See "6.2.2.2. GATE" / Decay in "7. Parameter Values"	
	o		4006-4023 (4006:OUT1 4008:OUT2 : : 4023:OUT16)															

Model		Access ID							Category		Parameter Name			MIN	MAX	unit	Remarks	
MTX3	MTX5-D	MemNo (Memory Number)	UniqeId	ElmNo (Element Number)	Xpos (X Position)	Ypos (Y Position)	PmNo (Parameter Number)	IndexNo (Index Number)										
o		512	4006-4013 (4006.OUT1 4007.OUT2 : : 4013.OUT8)	5	0	0	3	0	OUTPUT CHANNEL	OUTPUT CH STRIP 1-8(16) (1way/2way)	SPEAKER PROCESSOR	Speaker Processor 1 Way *Speaker Processor type (1 Way or 2 Way) is configurable through MTX Editor software.	Limiter	On	OFF	ON	-	0:OFF 1:ON
	o		4006-4023 (4006.OUT1 4008.OUT2 : : 4023.OUT16)															
o			4006-4013 (4006.OUT1 4007.OUT2 : : 4013.OUT8)	5	0	0	4	0					Attack Mode	Fast	Manual	-	* See "6.2.6.2. SPEAKER PROCESSOR" in "7. Parameter Values"	
	o		4006-4023 (4006.OUT1 4008.OUT2 : : 4023.OUT16)															
o			4006-4013 (4006.OUT1 4007.OUT2 : : 4013.OUT8)	5	0	0	5	0					Release Mode	Fast	Manual	-	* See "6.2.6.2. SPEAKER PROCESSOR" in "7. Parameter Values"	
	o		4006-4023 (4006.OUT1 4008.OUT2 : : 4023.OUT16)															
o			4006-4013 (4006.OUT1 4007.OUT2 : : 4013.OUT8)	6	0	0	0	0					Out	Level	-∞	10.00	dB	dB x 100 ex. -73.60dB x 100 = -7360 "setr" command is available for this parameter
	o		4006-4023 (4006.OUT1 4008.OUT2 : : 4023.OUT16)															
o			4006-4013 (4006.OUT1 4007.OUT2 : : 4013.OUT8)	6	0	0	1	0					Mute	UNMUTED	MUTED	-	0:UNMUTED 1:MUTED	
	o		4006-4023 (4006.OUT1 4008.OUT2 : : 4023.OUT16)															
o			4006-4013 (4006.OUT1 4007.OUT2 : : 4013.OUT8)	6	0	0	2	0					PEQOn	OFF	ON	-	0:ON 1:OFF	
	o		4006-4023 (4006.OUT1 4008.OUT2 : : 4023.OUT16)															

Model		Access ID						Category		Parameter Name		MIN	MAX	unit	Remarks				
MTX3	MTX5-D	MemNo (Memory Number)	UniqeId	ElmNo (Element Number)	Xpos (X Position)	Ypos (Y Position)	PmNo (Parameter Number)	IndexNo (Index Number)											
o		512	40014-40017 (40014:OUT1 40015:OUT3 : : 40017:OUT7)	1	0-1 (0:LOW 1:HIGH)	0	0	0	OUTPUT CHANNEL	OUTPUT CH STRIP 1-8(16) (1way/2way)	SPEAKER PROCESSOR	Speaker Processor 2 Way *Speaker Processor type (1 Way or 2 Way) is configurable through MTX Editor software.	Delay	On	OFF	ON	-	0:ON 1:OFF	
	o		40024-40031 (40024:OUT1 40025:OUT3 : : 40031:OUT15)																
o			40014-40017 (40014:OUT1 40015:OUT3 : : 40017:OUT7)	1		0	1	0					Delay	0.00	500.00	ms	ms x 100 ex. 102.80ms x 100 = 10280		
	o		40024-40031 (40024:OUT1 40025:OUT3 : : 40031:OUT15)																
o			40014-40017 (40014:OUT1 40015:OUT3 : : 40017:OUT7)	2	0 (0:LOW)	0	2	0					Band	LPF Frequency	20.0	20.0k	Hz	Hz x 1000 ex. 1000Hz x 1000 = 1000000	
	o		40024-40031 (40024:OUT1 40025:OUT3 : : 40031:OUT15)																
o			40014-40017 (40014:OUT1 40015:OUT3 : : 40017:OUT7)	2	0-1 (0:LOW 1:HIGH)	0	3	0					HPF	Frequency	20.0	20.0k	Hz	Hz x 1000 ex. 1000Hz x 1000 = 1000000	
	o		40024-40031 (40024:OUT1 40025:OUT3 : : 40031:OUT15)																
o			40014-40017 (40014:OUT1 40015:OUT3 : : 40017:OUT7)	2	0 (0:LOW)	0	4	0					LPFType	Thru	48dB/ Oct	Linkwitz	-	* See "6.2.6.2. SPEAKER PROCESSOR" in "7. Parameter Values"	
	o		40024-40031 (40024:OUT1 40025:OUT3 : : 40031:OUT15)																
o			40014-40017 (40014:OUT1 40015:OUT3 : : 40017:OUT7)	2	0-1 (0:LOW 1:HIGH)	0	5	0					HPFType	Thru	48dB/ Oct	Linkwitz	-	* See "6.2.6.2. SPEAKER PROCESSOR" in "7. Parameter Values"	
	o		40024-40031 (40024:OUT1 40025:OUT3 : : 40031:OUT15)																
o			40014-40017 (40014:OUT1 40015:OUT3 : : 40017:OUT7)	2	0 (0:LOW)	0	6	0					LPFGc(*)	-6	6	dB	*Valid only for AdjustGc		
	o		40024-40031 (40024:OUT1 40025:OUT3 : : 40031:OUT15)																
o			40014-40017 (40014:OUT1 40015:OUT3 : : 40017:OUT7)	2	0-1 (0:LOW 1:HIGH)	0	7	0					HPFGc(*)	-6	6	dB	*Valid only for AdjustGc		
	o		40024-40031 (40024:OUT1 40025:OUT3 : : 40031:OUT15)																

Model		Access ID						Category		Parameter Name		MIN	MAX	unit	Remarks				
MTX3	MTX5-D	MemNo (Memory Number)	UniqeId	ElmNo (Element Number)	Xpos (X Position)	Ypos (Y Position)	PmNo (Parameter Number)	IndexNo (Index Number)											
o		512	4014:40017 (4014:OUT1 4015:OUT3 : : 4017:OUT7)	2	0-1 (0:LOW 1:HIGH)	0	8	0	OUTPUT CHANNEL	OUTPUT CH STRIP 1-8(16) (1way/2way)	SPEAKER PROCESSOR	Speaker Processor 2 Way *Speaker Processor type (1 Way or 2 Way) is configurable through MTX Editor software.	Band	Polarity	NORMAL	INVERTED	-	0:NORMAL 1:INVERTED	
	o		40024:40031 (4024:OUT1 4025:OUT3 : : 40031:OUT15)																
o			4014:40017 (4014:OUT1 4015:OUT3 : : 4017:OUT7)	3	0	0	0	0					Center	Frequency	20.0	20.0k	Hz	Hz x 1000 ex. 1000Hz x 1000 = 1000000	
	o		40024:40031 (4024:OUT1 4025:OUT3 : : 40031:OUT15)																
o			4014:40017 (4014:OUT1 4015:OUT3 : : 4017:OUT7)	4	0-1 (0:LOW 1:HIGH)	0-5 (0:Band A 1:Band B 2:Band C 3:Band D 4:Band E 5:Band F)	0	0					PEQ	Q(*)	63.0	0.1	-	* See "6.2.2.1. 3BAND EQ" in "7. Parameter Values"	
	o		40024:40031 (4024:OUT1 4025:OUT3 : : 40031:OUT15)																
o			4014:40017 (4014:OUT1 4015:OUT3 : : 4017:OUT7)	4			1	0						Frequency	20.0(*)	20.0k	Hz	*(For 500 : HORN EQ 100 : Other than Band A) Hz x 1000 ex. 1000Hz x 1000 = 1000000	
	o		40024:40031 (4024:OUT1 4025:OUT3 : : 40031:OUT15)																
o			4014:40017 (4014:OUT1 4015:OUT3 : : 4017:OUT7)	4			2	0						Gain(*)	-18.0	18.0	dB	*Not adjustable for HPF/LPF/ APF 1st/APF 2nd dB x 10 ex. -14.5dB x 10 = -145	
	o		40024:40031 (4024:OUT1 4025:OUT3 : : 40031:OUT15)																
o			4014:40017 (4014:OUT1 4015:OUT3 : : 4017:OUT7)	4			3	0						Bypass	OFF	ON	-	0:ON 1:OFF	
	o		40024:40031 (4024:OUT1 4025:OUT3 : : 40031:OUT15)																
o			4014:40017 (4014:OUT1 4015:OUT3 : : 4017:OUT7)	4			4	0						Type	PEQ	Horn EQ	-	* See "6.2.6.2. SPEAKER PROCESSOR" in "7. Parameter Values"	
	o		40024:40031 (4024:OUT1 4025:OUT3 : : 40031:OUT15)																

Model		Access ID						Category		Parameter Name			MIN	MAX	unit	Remarks		
MTX3	MTX5-D	MemNo (Memory Number)	UniqeId	ElmNo (Element Number)	Xpos (X Position)	Ypos (Y Position)	PmNo (Parameter Number)	IndexNo (Index Number)										
o		512	4014:40017 (4014:OUT1 4015:OUT3 : : 4017:OUT7)	5	0-1 (0:LOW 1:HIGH)	0	0	0	OUTPUT CHANNEL	OUTPUT CH STRIP 1-8(16) (1way/2way)	SPEAKER PROCESSOR	Speaker Processor 2 Way *Speaker Processor type (1 Way or 2 Way) is configurable through MTX Editor software.	Limiter	Threshold	-54	0	dB	
	o		4024:40031 (4024:OUT1 4026:OUT3 : : 4031:OUT15)															
o			4014:40017 (4014:OUT1 4015:OUT3 : : 4017:OUT7)	5		0	1	0					Attack	0.0	120.0	ms	ms x 10 ex. 24.5ms x 10 = 245	
	o		4024:40031 (4024:OUT1 4026:OUT3 : : 4031:OUT15)															
o			4014:40017 (4014:OUT1 4015:OUT3 : : 4017:OUT7)	5		0	2	0					Release	3.2m	42.600	s	* See "6.2.2.2. GATE" / Decay in "7. Parameter Values"	
	o		4024:40031 (4024:OUT1 4026:OUT3 : : 4031:OUT15)															
o			4014:40017 (4014:OUT1 4015:OUT3 : : 4017:OUT7)	5		0	3	0					On	OFF	ON	-	0:ON 1:OFF	
	o		4024:40031 (4024:OUT1 4026:OUT3 : : 4031:OUT15)															
o			4014:40017 (4014:OUT1 4015:OUT3 : : 4017:OUT7)	5		0	4	0					Attack Mode	Fast	Manual	-	* See "6.2.6.2. SPEAKER PROCESSOR" in "7. Parameter Values"	
	o		4024:40031 (4024:OUT1 4026:OUT3 : : 4031:OUT15)															
o			4014:40017 (4014:OUT1 4015:OUT3 : : 4017:OUT7)	5		0	5	0					Release Mode	Fast	Manual	-	* See "6.2.6.2. SPEAKER PROCESSOR" in "7. Parameter Values"	
	o		4024:40031 (4024:OUT1 4026:OUT3 : : 4031:OUT15)															

Model		Access ID							Category		Parameter Name				MIN	MAX	unit	Remarks								
MTX3	MTX5-D	MemNo (Memory Number)	Uniqueld	ElmNo (Element Number)	Xpos (X Position)	Ypos (Y Position)	PmNo (Parameter Number)	IndexNo (Index Number)																		
o		512	40014:40017 (40014:OUT1 40015:OUT3 : : 40017:OUT7)	6	0-1 (0:LOW 1:HIGH)	0	0	0	OUTPUT CHANNEL	OUTPUT CH STRIP 1-8(16) (1way/2way)	SPEAKER PROCESSOR	Speaker Processor 2 Way *Speaker Processor type (1 Way or 2 Way) is configurable through MTX Editor software.	Out	Level	-∞	10.00	dB	dB x 100 ex. -73.60dB x 100 = -7360 "setr" command is available for this parameter								
	o		40024:40031 (40024:OUT1 40025:OUT3 : : 40031:OUT15)																							
o			40014:40017 (40014:OUT1 40015:OUT3 : : 40017:OUT7)	6			0	1					0						Mute	UNMUTED	MUTED	-	0:UNMUTED 1:MUTED			
	o		40024:40031 (40024:OUT1 40025:OUT3 : : 40031:OUT15)																							
o			40014:40017 (40014:OUT1 40015:OUT3 : : 40017:OUT7)	6			0	2					0							PEQOn	OFF	ON	-	0:ON 1:OFF		
	o		40024:40031 (40024:OUT1 40025:OUT3 : : 40031:OUT15)																							
o		20021	0	0	0-7 (OUT1-8)	0	0		OUTPUT PORT	OUTPUT PATCH	OutputPatch 8(16) Input x 8(40) Output	In	Patch	NONE	OUTPUT CH8 (SLOT OUT 16)	-	* See "6.2.7.1. OUTPUT PATCH" in "6. Parameter Values"									
	o	20028			0-15 (OUT1-16)																					
o		20022	0	0	0-15 (1-16ch)	0	0										YDIF OUT PATCH	Router 46(70) Input x 16 Output	In	Patch	NONE	OUTPUT CH8 (OUTPUT CH16)	-	* See "6.2.7.2. YDIF PATCH" in "6. Parameter Values"		
	o	20029																								
o		20023	0	0-7 (OUTPUT1-8)	0	0	0										OUTPUT PORT	OutputPort 8(40) Channel	Out	Polarity	NORMAL	INVERTED	-	0:NORMAL 1:INVERTED		
	o	20030		0-39 (0-7:OUTPUT1-8 8-23:DANTE1-16 24-39:SL0T1-16)																						
o		20023		0-7 (OUTPUT1-8)		1						Gain	-96.0	24.0	dB	dB x 10 ex. -14.5dB x 10 = -145										
	o	20030		0-39 (0-7:OUTPUT1-8 8-23:DANTE1-16 24-39:SL0T1-16)																						
o	o	50010	0	0	0	0	0	I/O	PILOT TONE	PilotTone 16(48)ch	Oscillator	Level	-∞	0.0	dB	dB x 100 ex. -73.60dB x 100 = -7360 "setr" command is available for this parameter										
	o																		1		On	OFF	ON	-	0:OFF 1:ON	
o																1	0-15 (YDIF OUT 1-16)		0		ChSum	On	OFF	ON	-	0:OFF 1:ON
	o															0-31 (0-15:YDIF OUT 1-16 16-32:Dante OUT 1-16)										

7.2. MRX7-D

Parameter Name			MIN	MAX	unit	Remarks	
ANALOG IN	Ch	Gain	-6	66	dB		
		+48V	OFF	ON	-	0:OFF 1:ON	
ANALOG OUT	Ch	Polarity	NORMAL	INVERTED	-	0:NORMAL 1:INVERTED	
		Gain	-96.0	24.0	dB	dB x 10 e.g. -14.5dB x 10 = -145	
SLOT OUT	Ch	Polarity	NORMAL	INVERTED	-	0:NORMAL 1:INVERTED	
		Gain	-96.0	24.0	dB	dB x 10 e.g. -14.5dB x 10 = -145	
DANTE OUT	Ch	Polarity	NORMAL	INVERTED	-	0:NORMAL 1:INVERTED	
		Gain	-96.0	24.0	dB	dB x 10 e.g. -14.5dB x 10 = -145	
Acoustic Echo Canceller	AEC	ON	OFF	ON	-	0:OFF 1:ON	
	NR	ON	OFF	ON	-	0:OFF 1:ON	
		Threshold	-72	-25	dB		
Ambient Noise Compensator	Ambient	Threshold	-∞	0.00	dB	dB x 100 e.g. -73.60dB x 100 = -7360	
		Gap	Threshold	-∞	0.00	dB	dB x 100 e.g. -73.60dB x 100 = -7360
	Program	Time	0.1	5.0	s	sec x 10 e.g. 3.8sec x 10 = 38	
		MaxGain	0.0	18.0	dB	dB x 10 e.g. 5.2dB x 10 = 52	
		MinGain	-18.0	0.0	dB	dB x 10 e.g. -14.5dB x 10 = -145	
	Ratio*	0.5:1	2.0:1	-	* See "6.2.4.3. ANC" in "6. Parameter Values"		
	ResponseTime	1	60	s			
On	ON	OFF	ON	-	0:OFF 1:ON		
Audio Detector	Detect	Threshold	-90	0	dB		
		DetectionIndicator	OFF	ON	-	0:OFF 1:ON	
		Hold	0.1	10.0	s	sec x 10 e.g. 3.8sec x 10 = 38	
		Infinite Hold	OFF	ON	-	0:OFF 1:ON	
	On	ON	OFF	ON	-	0:OFF 1:ON	
Auto Gain Control	Compensator	ResponseTime*	100m	5.0	s	* See "6.2.2.4. AGC" in "6. Parameter Values"	
		Level	1	5	-		
		NoiseGateOn	OFF	ON	-	0:OFF 1:ON	
	On	ON	OFF	ON	-	0:OFF 1:ON	
Combiner	Room Combiner	BGM	Source*	BGM1	BGM4	-	* See "6.3.3.1. Room Combiner" in "6. Parameter Values"
			ON	OFF	ON	-	0:OFF 1:ON
			Level	-∞	10.00	dB	dB x 100 e.g. -73.60dB x 100 = -7360 "setr" command is available for this parameter
		Paging	ON	OFF	ON	-	0:OFF 1:ON
			Level	-∞	10.00	dB	dB x 100 e.g. -73.60dB x 100 = -7360 "setr" command is available for this parameter
		RoomIn	ON	OFF	ON	-	0:OFF 1:ON
			Level	-∞	10.00	dB	dB x 100 e.g. -73.60dB x 100 = -7360 "setr" command is available for this parameter
		RoomOut	ON	OFF	ON	-	0:OFF 1:ON
			Level	-∞	10.00	dB	dB x 100 e.g. -73.60dB x 100 = -7360 "setr" command is available for this parameter
		Combine	ON	OFF	ON	-	0:OFF 1:ON

Parameter Name		MIN	MAX	unit	Remarks		
Combiner	Room Combiner plus Automixer	Master	Override	OFF	ON	-	0:OFF 1:ON
			Mute	OFF	ON	-	0:OFF 1:ON
		MicsIn	ON	OFF	ON	-	0:OFF 1:ON
			Level	-∞	10.00	dB	dB x 100 e.g. -73.60dB x 100 = -7360 "setr" command is available for this parameter
		BGM	Source*	BGM1	BGM4	-	* See "6.3.3.1. Room Combine" in "6. Parameter Values"
			ON	OFF	ON	-	0:OFF 1:ON
			Level	-∞	10.00	dB	dB x 100 e.g. -73.60dB x 100 = -7360 "setr" command is available for this parameter
		Paging	ON	OFF	ON	-	0:OFF 1:ON
			Level	-∞	10.00	dB	dB x 100 e.g. -73.60dB x 100 = -7360 "setr" command is available for this parameter
		RoomIn	ON	OFF	ON	-	0:OFF 1:ON
			Level	-∞	10.00	dB	dB x 100 e.g. -73.60dB x 100 = -7360 "setr" command is available for this parameter
		RoomOut	ON	OFF	ON	-	0:OFF 1:ON
			Level	-∞	10.00	dB	dB x 100 e.g. -73.60dB x 100 = -7360 "setr" command is available for this parameter
		Combine	ON	OFF	ON	-	0:OFF 1:ON
		MicCh	Mode*	Mute	Auto	-	* See "6.2.2.5. DUGAN AUTOMIXER" in "6. Parameter Values"
			Weight	-100.0	15.0	-	* See "6.2.2.5. DUGAN AUTOMIXER" in "6. Parameter Values"
			Override	OFF	ON	-	0:OFF 1:ON
		Master	Override	OFF	ON	-	0:OFF 1:ON
			Mute	OFF	ON	-	0:OFF 1:ON
		Delay	Delay 50mSec	ON	OFF	ON	-
DelayTime	0.00			50.00	ms	ms x 100 e.g. 22.00ms x 100 = 2200	
Delay 250mSec	ON		OFF	ON	-	0:OFF 1:ON	
	DelayTime		0.00	250.00	ms	ms x 100 e.g. 102.80ms x 100 = 10280	
Delay 500mSec	ON		OFF	ON	-	0:OFF 1:ON	
	DelayTime		0.00	500.00	ms	ms x 100 e.g. 102.80ms x 100 = 10280	
Delay 1000mSec	ON		OFF	ON	-	0:OFF 1:ON	
	DelayTime		0.00	1000.00	ms	ms x 100 e.g. 102.80ms x 100 = 10280	

Parameter Name				MIN	MAX	unit	Remarks
Dynamics	Compressor	Dyn	Threshold	-54	0	dB	
			Ratio*	1.0:1	∞:1	-	* See "6.2.2.3. COMPRESSOR" in "6. Parameter Values"
			Knee*	HARD	5	-	* See "6.2.2.3. COMPRESSOR" in "6. Parameter Values"
			Attack	0	120	ms	
			Release*	3m	42.7	s	* See "6.2.2.2. GATE" / Decay in "6. Parameter Values"
		Gain	0.0	18.0	dB	dB x 10 e.g. 5.2dB x 10 = 52	
		KeyIn	KeyIn*	SELF	KEYIN	-	* See "6.3.4.1. Compressor" in "6. Parameter Values"
	On	ON	OFF	ON	-	0:OFF 1:ON	
	Ducking	Dyn	Threshold	-54	0	dB	
			Range	-70	0	-	
			Attack	0	240	-	
			Release*	3m	42.7	s	* See "6.2.2.2. GATE" / Decay in "6. Parameter Values"
			Hold*	0.02m	1.96	s	* See "6.2.2.2. GATE" in "6. Parameter Values"
		KeyIn	KeyIn*	SELF	KEYIN	-	* See "6.3.4.1. Compressor" in "6. Parameter Values"
		On	ON	OFF	ON	-	0:OFF 1:ON
	Gate	Dyn	Threshold	-72	0	dB	
			Range	-70	0	-	
			Attack	0	120	-	
			Decay*	3m	42.7	s	* See "6.2.2.2. GATE" in "6. Parameter Values"
			Hold*	0.02m	1.96	s	* See "6.2.2.2. GATE" in "6. Parameter Values"
		KeyIn	KeyIn*	SELF	KEYIN	-	* See "6.3.4.1. Compressor" in "6. Parameter Values"
		On	ON	OFF	ON	-	0:OFF 1:ON
	Limiter	Dyn	Threshold	-54	0	dB	
			Attack	0.0	120.0	ms	ms x 10 e.g. 24.5ms x 10 = 245
			Release*	3m	42.7	s	* See "6.2.2.2. GATE" / Decay in "6. Parameter Values"
		KeyIn	KeyIn*	SELF	KEYIN	-	* See "6.3.4.1. Compressor" in "6. Parameter Values"
		On	ON	OFF	ON	-	0:OFF 1:ON
		Paging Ducker	Dyn	Range*	-∞	0.0	dB
Attack				0.0	10.0	s	s x 10 e.g. 5.3s x 10 = 53
Release	0.0			10.0	s	s x 10 e.g. 5.3s x 10 = 53	
Hold	0.0			10.0	s	s x 10 e.g. 5.3s x 10 = 53	
Trigger	OFF			ON	-	0:OFF 1:ON	
On	On		OFF	ON	-	0:OFF 1:ON	
Status	Range Indicator		OFF	ON	-	0:OFF 1:ON	
Effect	Effect	Type*	Reverb Hall	Vocal Echo	-	* See "6.2.3. EFFECT" in "6. Parameter Values"	
		On	OFF	ON	-	0:OFF 1:ON	
	SimpleEffect	RevHallTime*	0.3	10.0	s	* See "6.2.3. EFFECT" in "6. Parameter Values"	
		RevStageTime*	0.3	10.0	s	* See "6.2.3. EFFECT" in "6. Parameter Values"	
		KaraokeTime*	0.4	1000.0	ms	* See "6.3.5. Effect" in "6. Parameter Values"	
		VocalTime*	0.4	1000.0	ms	* See "6.3.5. Effect" in "6. Parameter Values"	

Parameter Name				MIN	MAX	unit	Remarks	
EQ	GEQ	Property	Limit	±15	-24	dB	0:±15 1:±12 2:±6 3:-24	
			GEQOn	OFF	ON	-	0:OFF 1:ON	
		HPF	Frequency	20.0	20.0k	Hz	Hz x 1000 e.g. 1000Hz x 1000 = 1000000	
			Bypass	OFF	ON	-	0:OFF 1:ON	
		LPF	Frequency	20.0	20.0k	Hz	Hz x 1000 e.g. 1000Hz x 1000 = 1000000	
			Bypass	OFF	ON	-	0:OFF 1:ON	
		Notch	Frequency	20.0	20.0k	Hz	Hz x 1000 e.g. 1000Hz x 1000 = 1000000	
			Bypass	OFF	ON	-	0:OFF 1:ON	
			Q*	63.0	0.1	-	* See "6.3.6.1. GEQ" in "6. Parameter Values"	
		GEQ	Gain	-24.0	15.0	dB	Value range varies with Limit	
	Bypass		OFF	ON	-	0:OFF 1:ON		
	PEQ	PEQ	Q*	63.0	0.1	-	* Available when PEQ type chosen * See "6.2.2.1. 3BAND EQ" in "6. Parameter Values"	
			Frequency	20.0*	20.0k	Hz	Hz x 1000 e.g. 1000Hz x 1000 = 1000000 *100 : Other than Band A / B	
			Gain*	-18.0	18.0	dB	* Not available when HPF/LPF type chosen	
			Bypass	OFF	ON	-	0:OFF 1:ON	
Type			PEQ	LPF	-	* See "6.2.2.1. 3BAND EQ" in "6. Parameter Values"		
Property		PEQOn	OFF	ON	-	0:OFF 1:ON		
Fader	Fader	Level	-∞	10.00	dB	dB x 100 e.g. -73.60dB x 100 = -7360 "setr" command is available for this parameter		
		ON	OFF	ON	-	0:OFF 1:ON		
		Polarity	OFF	ON	-	0:OFF 1:ON		
Feedback Suppressor	Notch FBS	Dynamic	AutoDetect	OFF	ON	-	0:OFF 1:ON	
		FixedOn	ON	OFF	ON	-	0:OFF 1:ON	
	Pitch Shift FBS	Suppressor	Mode	Speech	Music	-		
		Suppression	0	9	-			
On	On	OFF	ON	-	0:OFF 1:ON			
Filter	LPF	Frequency	20.0	20.0k	Hz	Hz x 1000 e.g. 1000Hz x 1000 = 1000000		
			FilterType(*)	Thru	48dB/Oct Linkwitz	-	* See "6.2.6.2. SPEAKER PROCESSOR" in "6. Parameter Values"	
			Gc*	-6	6	dB	*Available only when filter type is AdjustGc	
		ON	OFF	ON	-	0:OFF 1:ON		
			HPF	Frequency	20.0	20.0k	Hz	Hz x 1000 e.g. 1000Hz x 1000 = 1000000
				FilterType*	Thru	48dB/Oct Linkwitz	-	* See "6.2.6.2. SPEAKER PROCESSOR" in "6. Parameter Values"
	Gc*	-6		6	dB	*Available only when filter type is AdjustGc		
	ON	OFF	ON	-	0:OFF 1:ON			
		BPF	LPF	Frequency	20.0	20.0k	Hz	Hz x 1000 e.g. 1000Hz x 1000 = 1000000
				FilterType*	Thru	48dB/Oct Linkwitz	-	* See "6.2.6.2. SPEAKER PROCESSOR" in "6. Parameter Values"
	Gc*			-6	6	dB	*Available only when filter type is AdjustGc	
	Bypass		OFF	ON	-	0:OFF 1:ON		
			HPF	Frequency	20.0	20.0k	Hz	Hz x 1000 e.g. 1000Hz x 1000 = 1000000
				FilterType*	Thru	48dB/Oct Linkwitz	-	* See "6.2.6.2. SPEAKER PROCESSOR" in "6. Parameter Values"
	Gc*	-6		6	dB	*Available only when filter type is AdjustGc		
On	ON	OFF	ON	-	0:OFF 1:ON			

7. Parameter List

Parameter Name				MIN	MAX	unit	Remarks
Mixer	Dugan Automixer	Master	Override	OFF	ON	-	0:OFF 1:ON
			Mute	OFF	ON	-	0:OFF 1:ON
		Ch	Mode*	Mute	Auto	-	* See "6.2.2.5. DUGAN AUTOMIXER" in "6. Parameter Values"
			Weight*	-100.0	15.0	dB	* See "6.2.2.5. DUGAN AUTOMIXER" in "6. Parameter Values"
	Group*		a	b (2 - 4 Channel) d (5 - 8 Channel) h (9 - 16 Channel)	-	* See "6.3.8.1. Dugan Automixer" in "6. Parameter Values"	
			Override	OFF	ON	-	0:OFF 1:ON
	Delay Matrix	Ch	Level	-∞	0.00	dB	dB x 100 e.g. -73.60dB x 100 = -7360 "set" command is available for this parameter
			On	OFF	ON	-	0:OFF 1:ON
			DelayTime	0.00	250.00 500.00	ms	ms x 100 e.g. 102.80ms x 100 = 10280 ms x 100 e.g. 102.80ms x 100 = 10280
	Matrix Mixer	Ch	Level	-∞	0.00	dB	dB x 100 e.g. -73.60dB x 100 = -7360 "set" command is available for this parameter
ON			OFF	ON	-	0:OFF 1:ON	
Oscillator Mono	Oscillator	Level	-∞	0.0	dB	dB x 100 e.g. -73.60dB x 100 = -7360 "set" command is available for this parameter	
		ON	OFF	ON	-	0:OFF 1:ON	
		VariFrequency	20.0	20.0k	Hz	Hz x 1000 e.g. 1000Hz x 1000 = 1000000	
		Waveform*	SINE 100Hz	VARI	-	* See "6.2.5.2. OSCILLATOR" in "6. Parameter Values"	
Paging		On	On	OFF	ON	-	
		Gain	Range	-∞	0.0	dB	* See "19. Paging Ducker" in "6. Parameter Values"
			Attack	0.0	10.0	s	s x 10 ex. 5.3s x 10 = 53
			Release	0.0	10.0	s	s x 10 ex. 5.3s x 10 = 53
		ZoneGroup	ZoneOn	OFF	ON	-	
Polarity		Polarity	NORMAL	INVERTED	-	0:NORMAL 1:INVERTED	
Revolabs control	Ch	ON	OFF	ON	-	0:OFF 1:ON	
Router	in	Patch	NONE	2(2 Input) 4(4 Input) 8(8 Input) 16(16 Input) 24(24 Input) 32(32 Input) 64(64 Input)	-		
Source Selector	Position	Position	1	4(4 position) 8(8 position) 16(16 position)	-		
Speech Privacy	Source	SelectType*	Forest	Building	-	* See "6.3.11. Speech Privacy" in "6. Parameter Values"	
		ON	OFF	ON	-	0:OFF 1:ON	
		Level	-∞	0.0	dB	dB x 100 ex. -73.60dB x 100 = -7360 "set" command is available for this parameter	
		MixRatio	10	70	-		

7. Parameter List

Parameter Name		MIN	MAX	unit	Remarks	
Speaker Processor	In	Level	-∞	10.00	dB	dB x 100 e.g. -73.60dB x 100 = -7360 "set" command is available for this parameter
	Delay	ON	OFF	ON	-	0:OFF 1:ON
		Delay	0.00	500.00	ms	ms x 100 e.g. 102.80ms x 100 = 10280
	Band	LPFFrequency	20.0	20.0k	Hz	Hz x 1000 e.g. 1000Hz x 1000 = 1000000
		HPFFrequency	20.0	20.0k	Hz	Hz x 1000 e.g. 1000Hz x 1000 = 1000000
		LPFType	Thru	48dB/Oct Linkwitz	-	* See "6.2.6.2. SPEAKER PROCESSOR" in "6. Parameter Values"
		HPFType	Thru	48dB/Oct Linkwitz	-	* See "6.2.6.2. SPEAKER PROCESSOR" in "6. Parameter Values"
		LPFGc*	-6	6	dB	*Available only when filter type is AdjustGc
		HPFGc*	-6	6	dB	*Available only when filter type is AdjustGc
		Polarity	NORMAL	INVERTED	-	0:NORMAL 1:INVERTED
	Center	Frequency	20.0	20.0k	Hz	Hz x 1000 e.g. 1000Hz x 1000 = 1000000
	PEQ	Q*	63.0	0.1	-	* Available only when PEQ is APF 2nd * See "6.2.2.1. 3BAND EQ" in "6. Parameter Values"
		Frequency	20.0*	20.0k	Hz	*500 : When HORN EQ is chosen 100 : Other than Band A / B Hz x 1000 e.g. 1000Hz x 1000 = 1000000
		Gain*	-18.0	18.0	dB	* Not available for HPF/LPF/APF or PEQ is APF 2nd dB x 10 e.g. -14.5dB x 10 = -145
		Bypass	OFF	ON	-	0:OFF 1:ON
		Type	PEQ	Horn EQ	-	* See "6.2.6.2. SPEAKER PROCESSOR" in "6. Parameter Values"
	Limiter	Threshold	-54	0	dB	
		Attack	0.0	120.0	ms	ms x 10 e.g. 24.5ms x 10 = 245
		Release	3m	42.7	s	* See "6.2.2.2. GATE" / Decay in "6. Parameter Values"
		ON	OFF	ON	-	0:OFF 1:ON
		AttackMode	Fast	Manual	-	
	ReleaseMode	Fast	Manual	-		
	Out	Level	-∞	10.00	dB	dB x 100 e.g. -73.60dB x 100 = -7360 "set" command is available for this parameter
		Mute	UNMUTED	MUTED	-	0:UNMUTED 1:MUTED
		PEQOn	ON*	OFF*	-	*0:ON 1:OFF

7.3. XMV Series

Model				Access ID						Parameter Name		MIN	MAX	unit	Remarks							
4ch	8ch	4ch D	8ch D	MemNo (Memory Number)	UniquelId	ElmNo (Element Number)	Xpos (X Position)	Ypos (Y Position)	PmNo (Parameter Number)	IndexNo (Index Number)												
o		o		512	1	4	0 to 3	0	0	0	Signal Processing	ATT *2	-99	0	dB	Synchronized with DigitalATT						
	o						0 to 7	0	1	0			Digital ATT *2	-99	0	dB	Synchronized with ATT					
	o						0 to 3	0	2	0			Mute	OFF	ON	-	0:OFF 1:ON					
	o						0 to 7	0	3	0			Polarity	Normal	Inverse	-	0:Normal 1:Inverse					
o	o	o	o				6	0	0	0			Power	Standby	Standby	ON	-	0:ON 1:Standby				
							7	0	0	0			Utility	InputSelect *1 *3	Analog	Multiple	-	Switching input source of all channel. 0:Analog 1:Digital 2:Multiple				
o	o	o	o				10	0	0	0			DigitalInput Sensitivity	Type	0dB	+17dB	-	0: -20dBFS 1: -3dBFS				
							11	0 to 3	0	0			0	0	0	ChUtility	Input Select *3	Analog	Digital	-	Switching input source of by channel. 0:Analog 1:Digital	
	o		o																			0 to 7
o			o				2	0	0	0 to 3			0	0	0	Channel Name	Channel Name 4 Channel	ChName	Name	Character (UTF-8) 48byte	-	Notification only
	o		o							0 to 7			0	0	0							

*1 : Note

The XMV's input sensitivity is -3dBFS (rated output at -3dBFS) when connected via digital (YDIF or Dante) and +4dBu (rated output at +4dBu) when connected via analog.
Please set an appropriate level before switching input.

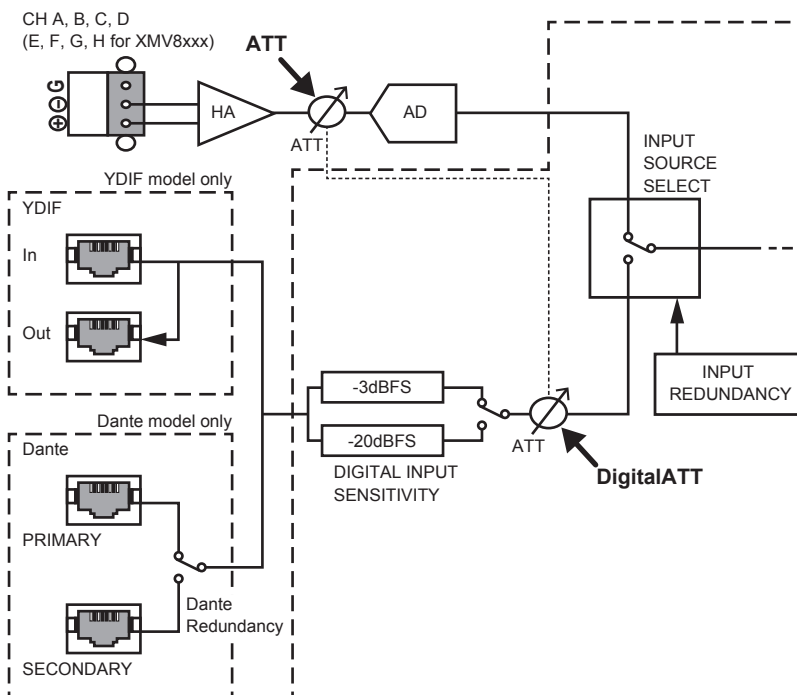
*2 :

The ATT and DigitalATT parameters are always synchronized internally within an XMV amplifier.
Controlling either one will provide the same result.

*3 :

When "Utility/InputSelect" is changed to "Analog (or Digital)", "ChUtility/InputSelect" for all channels will be forcibly changed to Analog (or Digital).
When "ChUtility/InputSelect" for all channels are set as "Analog (or Digital)" and a channel is changed to "Digital (or Analog)", "Utility/InputSelect" will be forcibly changed to "Multiple".

< XMV Block Diagram > e.g. XMV4280/XMV4140/XMV4280-D/XMV4140-D



7.4. EXi8

Access ID							Parameter Name	MIN	MAX	unit	Remarks	
MemNo (Memory Number)	Uniqueld	ElmNo (Element Number)	Xpos (X Position)	Ypos (Y Position)	PmNo (Parameter Number)	IndexNo (Index Number)						
512	1	3	0 to 7	0	0	0	Signal Processing	GAIN	-6	66	dB	
					1			+48V	OFF	ON	-	0:OFF 1:ON
					2			Phase	OFF	ON	-	0:OFF 1:ON
					3			On	OFF	ON	-	0:OFF 1:ON
					4			HPFOn	OFF	ON	-	0:OFF 1:ON
					5		HPFFrequency	20	20000	Hz	Hz x 1000 ex. 1000Hz x 1000000	

7.5. EXo8

Access ID							Parameter Name	MIN	MAX	unit	Remarks	
MemNo (Memory Number)	Uniqueld	ElmNo (Element Number)	Xpos (X Position)	Ypos (Y Position)	PmNo (Parameter Number)	IndexNo (Index Number)						
512	1	3	0 to 7	0	0	0	Signal Processing					0:Normal 1:Inverse
					1			On	OFF	ON	-	0:OFF 1:ON
					2			Gain	-96	24	dB	dB x 10 ex. -14.5dB x 10 = -145

7.6. MY4-AEC

7.6.1. MTX3, MTX5-D

MemNo (Memory Number)	Uniqueld	ElmNo (Element Number)	Access ID				IndexNo (Index Number)	Parameter Name				MIN	MAX	unit	Remarks																		
			Xpos (X Position)	Ypos (Y Position)	PmNo (Parameter Number)																												
512	20034	0	0	1	0	0	MY4- AEC INPUT PATCH	MY4AEC InputPatch	NearEndMic	Patch	NONE	OUTPUT CH16	-	* See "12. MY4-AEC Input Patch" in "6. Parameter Values"																			
		1	0	1	1	FromFarEnd				NONE	OUTPUT CH16	-	* See "12. MY4-AEC Input Patch" in "6. Parameter Values"																				
90000	0	0-3 (AEC1-4)	0	0	0	0	MY4- AEC	Acoustic Echo Canceller 4 Channel	AEC	On	OFF	ON	-	0:OFF 1:ON																			
									Effect	1	4	-																					
									PttOn	OFF	ON	-	0:OFF 1:ON																				
									PttThreshold	-80	-20	dB																					
									MicType	Fixed	Moving	-	0:Fixed 1:Moving																				
									Distance	2	40	meter																					
		1	0-3 (AEC1-4)	0	0	0			0	0	MY4- AEC	Acoustic Echo Canceller 4 Channel	FBS	On	OFF	ON	-	0:OFF 1:ON															
													Width	1/10	1/93	oct	* See "6.2.8.2. MY4-AEC FBS" in "6. Parameter Values"																
													Depth	-6	-18	dB	* See "6.2.8.2. MY4-AEC FBS" in "6. Parameter Values"																
													MicNR	On	OFF	ON	-	0:OFF 1:ON															
													FarEndNR	On	OFF	ON	-	0:OFF 1:ON															
													Reference	On	OFF	ON	-	0:OFF 1:ON															
2	0-3 (AEC1-4)	0	0	0	0	0	MY4- AEC	Acoustic Echo Canceller 4 Channel	MicNR	On			OFF	ON	-	0:OFF 1:ON																	
									FarEndNR	On			OFF	ON	-	0:OFF 1:ON																	
									Reference	On			OFF	ON	-	0:OFF 1:ON																	
									3	0			0-3 (0:Far-end A 1:Far-end B 2:Far-end C 3:Far-end D)	0	0	0	0	MY4- AEC	Acoustic Echo Canceller 4 Channel	Reference	On	OFF	ON	-	0:OFF 1:ON								
																				4	0-3 (AEC1-4)	0-3 (0:Far-end A 1:Far-end B 2:Far-end C 3:Far-end D)	0	0	0	MY4- AEC	Acoustic Echo Canceller 4 Channel	Reference	On	OFF	ON	-	0:OFF 1:ON
																												4	0-3 (AEC1-4)	0-3 (0:Far-end A 1:Far-end B 2:Far-end C 3:Far-end D)	0	0	0
4	0-3 (AEC1-4)	0-3 (0:Far-end A 1:Far-end B 2:Far-end C 3:Far-end D)	0	0	0	MY4- AEC			Acoustic Echo Canceller 4 Channel	Reference	On	OFF	ON	-	0:OFF 1:ON																		
										4	0-3 (AEC1-4)	0-3 (0:Far-end A 1:Far-end B 2:Far-end C 3:Far-end D)	0	0	0	MY4- AEC	Acoustic Echo Canceller 4 Channel																
																				4	0-3 (AEC1-4)	0-3 (0:Far-end A 1:Far-end B 2:Far-end C 3:Far-end D)	0	0	0			MY4- AEC	Acoustic Echo Canceller 4 Channel	Reference	On	OFF	ON

7.6.2. MRX7-D

Parameter Name		MIN	MAX	unit	Remarks	
AEC	AEC	On	OFF	ON	-	
		Effect	1	4	-	
		PttOn	OFF	ON	-	
		PttThreshold	-80	-20	dB	
		MicType	Fixed	Moving	-	0:Fixed 1:Moving
		Distance	2	40	meter	
	FBS	On	OFF	ON	-	
		Width	1/10	1/93	oct	* See "6.2.8.2. MY4-AEC FBS" in "6. Parameter Values"
		Depth	-6	-18	dB	* See "6.2.8.2. MY4-AEC FBS" in "6. Parameter Values"
	MicNR	On	OFF	ON	-	
	FarEndNR	On	OFF	ON	-	
	Reference (FarEndMix)	On	OFF	ON	-	

8. Meter List

8.1. MTX3/MTX5-D

Model		Access ID		Category	Meter Name		Type (*)	Remarks
MTX3	MTX5-D	MemNo (Memory Number)	Uniqueld					
o	o	512	20000	INPUT PORT	INPUT(ANALOG)	Meter 12 Channel (INPUT1-8, STIN1L-STIN2R)	level	* Type is for "1-7) Parameter change notification" command option2.
o	o		20024		INPUT(YDIF)	Meter 16 Channel (YDIF IN 1-16)	level	
o	o		20001		INPUT(SLOT)	Meter 16 Channel (SLOT IN 1-16)	level	
o	o		20002	INPUT CHANNEL	EQ OUT	Meter 22 Channel (CH1-8, STIN1L-STIN3R, CH9-16)	level	
o	o		20003			Meter 8 Channel (CH1-8)	level	
o	o		20009			Meter 22 Channel (CH9-16, STIN1L-STIN3R, CH17-24)	level	
o	o		20010		GATE	Gate 8 Channel (CH1-8)	gr	
o	o		40002			Gate 8 Channel (CH1-8)	gr	
o	o		40000			Gate 8 Channel (CH1-8)	gr	
o	o		40001		COMP	Gate 8 Channel (CH9-16)	gr	
o	o		40000			Compressor 8 Channel (CH1-8)	gr	
o	o		40001			Compressor 4 Channel (STIN1L-STIN2R)	gr	
o	o		40002			Compressor 8 Channel (CH1-8)	gr	
o	o		40003	Compressor 8 Channel (CH9-16)		gr		
o	o		40006	Compressor 4 Channel (STIN1L-STIN2R)		gr		
o	o		50011	Dugan AUTO MIXER	Auto Mixer 4 Channel (CH1-4)	level (See the spread sheet "Dugan Automixer 2 - 4 Channel" in MRX7-D Meter List)		
o	o				Auto Mixer 8 Channel (CH1-8)	level (See the spread sheet "Dugan Automixer 5 - 8 Channel" in MRX7-D Meter List)		
o	o		20005		POST ON	Meter 22 Channel (CH1-8, STIN1L-STIN3R, CH9-16)	level	
o	o		20011			Meter 8 Channel (CH1-8)	level	
o	o		20012			Meter 22 Channel (CH9-16, STIN1L-STIN3R, CH17-24)	level	
o	o	20009	EFFECT RETURN	Meter 4 Channel (Fx RTN1 L-Fx RTN2 R)	level			
o	o	20015		Meter 4 Channel (Fx RTN1 L-Fx RTN2 R)	level			
o	o	20027	MATRIX	MATRIX OUT	METER 8 Channel (MATRIX OUT1-8)	level		
o	o	20036		METER 16 Channel (MATRIX OUT1-16)	level			
o	o	20012	ZONE	2nd PRIORITY PRIORITY DUCKER	Ducking 8 Channel (ZONE1-8)	gr		
o	o	20019			Ducking 8 Channel (ZONE1-8)	gr		
o	o	20013		1st PRIORITY PRIORITY DUCKER	Ducking 8 Channel (ZONE1-8)	gr		
o	o	20020			Ducking 8 Channel (ZONE1-8)	gr		
o	o	20014		ANC AMBIENT SOURCE	Ambient Noise Compensator 8 Channel ZONE 1-8(AMBIENT SOURCE)	level		
o	o	20021			Ambient Noise Compensator 8 Channel ZONE 1-8(AMBIENT SOURCE)	level		
o	o	20015		ZONE OUT	Meter 8 Channel ZONE 1-8	level		
o	o	20022			Meter 16 Channel ZONE 1-16	level		

Model		Access ID		Category	Meter Name	Type (*)	Remarks
MTX3	MTX5-D	MemNo (Memory Number)	Uniqueld				
o		512	40006	OUTPUT CHANNEL OUTPUT CHANNEL(1way) SPEAKER PROCESSOR LIMITER	Speaker Processor 1 Way (OUTPUT CH1)	gr	* Type is for "1-7) Parameter change notification" command option2.
o			40007		Speaker Processor 1 Way (OUTPUT CH2)	gr	
o			40008		Speaker Processor 1 Way (OUTPUT CH3)	gr	
o			40009		Speaker Processor 1 Way (OUTPUT CH4)	gr	
o			40010		Speaker Processor 1 Way (OUTPUT CH5)	gr	
o			40011		Speaker Processor 1 Way (OUTPUT CH6)	gr	
o			40012		Speaker Processor 1 Way (OUTPUT CH7)	gr	
o			40013		Speaker Processor 1 Way (OUTPUT CH8)	gr	
	o		40008		Speaker Processor 1 Way (OUTPUT CH1)	gr	
	o		40009		Speaker Processor 1 Way (OUTPUT CH2)	gr	
	o		40010		Speaker Processor 1 Way (OUTPUT CH3)	gr	
	o		40011		Speaker Processor 1 Way (OUTPUT CH4)	gr	
	o		40012		Speaker Processor 1 Way (OUTPUT CH5)	gr	
	o		40013		Speaker Processor 1 Way (OUTPUT CH6)	gr	
	o		40014		Speaker Processor 1 Way (OUTPUT CH7)	gr	
	o		40015		Speaker Processor 1 Way (OUTPUT CH8)	gr	
	o		40016		Speaker Processor 1 Way (OUTPUT CH9)	gr	
	o		40017		Speaker Processor 1 Way (OUTPUT CH10)	gr	
	o		40018		Speaker Processor 1 Way (OUTPUT CH11)	gr	
	o		40019		Speaker Processor 1 Way (OUTPUT CH12)	gr	
	o		40020		Speaker Processor 1 Way (OUTPUT CH13)	gr	
	o		40021		Speaker Processor 1 Way (OUTPUT CH14)	gr	
	o		40022		Speaker Processor 1 Way (OUTPUT CH15)	gr	
	o	40023	Speaker Processor 1 Way (OUTPUT CH16)	gr			

Model		Access ID		Category	Meter Name	Type (*)	Remarks	
MTX3	MTX5-D	MemNo (Memory Number)	Uniqueld					
o		512	40006	OUTPUT CHANNEL SPEAKER PROCESSOR LIMITER	Speaker Processor 2 Way (OUTPUT CH1 (Low))	gr	* Type is for "1-7) Parameter change notification" command option2.	
o			40007		Speaker Processor 2 Way (OUTPUT CH1 (High))	gr		
o			40008		Speaker Processor 2 Way (OUTPUT CH3 (Low))	gr		
o			40009		Speaker Processor 2 Way (OUTPUT CH3 (High))	gr		
o			40010		Speaker Processor 2 Way (OUTPUT CH5 (Low))	gr		
o			40011		Speaker Processor 2 Way (OUTPUT CH5 (High))	gr		
o			40012		Speaker Processor 2 Way (OUTPUT CH7 (Low))	gr		
o			40013		Speaker Processor 2 Way (OUTPUT CH7 (High))	gr		
	o		40008		Speaker Processor 2 Way (OUTPUT CH1 (Low))	gr		
	o		40009		Speaker Processor 2 Way (OUTPUT CH1 (High))	gr		
	o		40010		Speaker Processor 2 Way (OUTPUT CH3 (Low))	gr		
	o		40011		Speaker Processor 2 Way (OUTPUT CH3 (High))	gr		
	o		40012		Speaker Processor 2 Way (OUTPUT CH5 (Low))	gr		
	o		40013		Speaker Processor 2 Way (OUTPUT CH5 (High))	gr		
	o		40014		Speaker Processor 2 Way (OUTPUT CH7 (Low))	gr		
	o		40015		Speaker Processor 2 Way (OUTPUT CH7 (High))	gr		
	o		40016		Speaker Processor 2 Way (OUTPUT CH9 (Low))	gr		
	o		40017		Speaker Processor 2 Way (OUTPUT CH9 (High))	gr		
	o		40018		Speaker Processor 2 Way (OUTPUT CH11 (Low))	gr		
	o		40019		Speaker Processor 2 Way (OUTPUT CH11 (High))	gr		
	o		40020		Speaker Processor 2 Way (OUTPUT CH13 (Low))	gr		
	o		40021		Speaker Processor 2 Way (OUTPUT CH13 (High))	gr		
	o		40022		Speaker Processor 2 Way (OUTPUT CH15 (Low))	gr		
	o	40023	Speaker Processor 2 Way (OUTPUT CH15 (High))	gr				
o		20020		OUTPUT CHANNEL	Meter 8 Channel (OUTPUT CH1-8)	level		
	o	20027			Meter 16 Channel (OUTPUT CH1-16)	level		
o		20025		OUTPUT PORT	OUTPUT (ANALOG)	Meter 8 Channel (OUTPUT CH1-8)	level	
	o	20031			Meter 8 Channel (OUTPUT CH1-8)	level		
	o	20032			OUTPUT (SLOT)	Meter 16 Channel (SLOT OUT 1-16)	level	
	o		90000	MY4-AEC		MY4-AEC (Mic In. 1-4 Ref In. 1-4 Echo Attn. 1-4 ERL 1-4 PTT Thesh. 1-4)	level	

8.2. MRX7-D

Category	Meter Name		Type	Remarks
-	ANALOG IN		8 Channel (INPUT1-8)	level
-	ANALOG OUT		8 Channel (OUTPUT1-8)	level
-	YDIF IN		16 Channel (YDIF IN 1-16)	level
-	SLOT IN		16 Channel (SLOT IN 1-16)	level
-	SLOT OUT		16 Channel (SLOT OUT 1-16)	level
-	STEREO IN		4 Channel (INPUT 1L-INPUT 2R)	level
-	MY4-AEC		16 Channel (MicIn. 1-4 RefIn. 1-4 EchoAttn. 1-4 ERL. 1-4)	level
-	Ambient Noise Compensator		Mono (AMBIENT SOURCE, OUTPUT) Stereo (AMBIENT SOURCE, OUTPUT L, OUTPUT R)	level
-	Auto Gain Control		Mono (INPUT,OUTPUT) Stereo (INPUT L-OUTPUT R)	level
-	Dynamics	Compressor / Ducking / Gate / Limiter	Mono (OUTPUT) Stereo (OUTPUT L, OUTPUT R)	level
-			Mono (GR) Stereo (GR L, GR R)	gr
-		Paging Ducker	Mono (OUTPUT) Stereo (OUTPUT L, OUTPUT R)	level
-	EQ GEQ		Mono (INPUT,OUTPUT) Stereo (INPUT L-OUTPUT R)	level
-	Fader		1 Channel (CH1) 2 Channel (CH1-2) 4 Channel (CH1-4) 8 Channel (CH1-8) 16 Channel (CH1-16) 32 Channel (CH1-32)	level
-	Meter		1 Channel (CH1) 2 Channel (CH1-2) 4 Channel (CH1-4) 8 Channel (CH1-8) 16 Channel (CH1-16) 32 Channel (CH1-32)	level
-	Delay Matrix		4 OUT (OUTPUT1-4) 8 OUT (OUTPUT1-8) 16 OUT (OUTPUT1-16)	level

Category	Meter Name	Type	Remarks	
-	Matrix Mixer	2 OUT (OUTPUT1-2) ----- 4 OUT (OUTPUT1-4) ----- 8 OUT (OUTPUT1-8) ----- 16 OUT (OUTPUT1-16) ----- 24 OUT (OUTPUT1-24) ----- 32 OUT (OUTPUT1-32) ----- 40 OUT (OUTPUT1-40) ----- 48 OUT (OUTPUT1-48) ----- 56 OUT (OUTPUT1-56) ----- 64 OUT (OUTPUT1-64)	level	
-	Oscillator	Meter 1 Channel (OUTPUT)	level	
-	Speaker Processor	1 Way (INPUT LIMITER OUT OUTPUT) ----- 2 Way (INPUT LIMITER OUT(HIGH) LIMITER OUT(LOW) OUTPUT(HIGH) OUTPUT(LOW)) ----- 3 Way (INPUT LIMITER OUT(HIGH) LIMITER OUT(MID) LIMITER OUT(LOW) OUTPUT(HIGH) OUTPUT(MID) OUTPUT(LOW)) ----- 4 Way (INPUT LIMITER OUT(HIGH) LIMITER OUT(HIGH-MID) LIMITER OUT(LOW-MID) LIMITER OUT(LOW) OUTPUT(HIGH) OUTPUT(HIGH-MID) OUTPUT(LOW-MID) OUTPUT(LOW))	level	
-		1 Way (LIMITER GR) ----- 2 Way (LIMITER GR(HIGH) LIMITER GR(LOW)) ----- 3 Way (LIMITER GR(HIGH) LIMITER GR(MID) LIMITER GR(LOW)) ----- 4 Way (LIMITER GR(HIGH) LIMITER GR(HIGH-MID) LIMITER GR(LOW-MID) LIMITER GR(LOW))	gr	
-	Room Combiner plus Auto Mixer (Mic 1 - 16 Channel)	*1	*1	
-	Room Combiner plus Auto Mixer (Mic 17 - 24 Channel)	*2	*2	
-	Dugan Automixer 2 - 4 Channel	*3	*3	
-	Dugan Automixer 5 - 8 Channel	*4	*4	
-	Dugan Automixer 9 - 16 Channel	*5	*5	
-	Dugan Automixer 17 - 24 Channel	*6	*6	

*1 Room Combiner plus Auto Mixer

No.	Mic Input Channel						Type
	1	2	3	..	15	16	
1	Level (*) (Ch01)	Level (*) (Ch01)	Level (*) (Ch01)	..	Level (*) (Ch01)	Level (*) (Ch01)	level
2	-	Level (*) (Ch02)	Level (*) (Ch02)	..	Level (*) (Ch02)	Level (*) (Ch02)	
3	-	-	Level (*) (Ch03)	..	Level (*) (Ch03)	Level (*) (Ch03)	
:	:	:	:	..	:	:	
15	-	-	-	..	Level (*) (Ch15)	Level (*) (Ch15)	
16	-	-	-	..	-	Level (*) (Ch16)	
17	AutoMixGain (Ch01)	AutoMixGain (Ch01)	AutoMixGain (Ch01)	..	AutoMixGain (Ch01)	AutoMixGain (Ch01)	
18	-	AutoMixGain (Ch02)	AutoMixGain (Ch02)	..	AutoMixGain (Ch02)	AutoMixGain (Ch02)	
19	-	-	AutoMixGain (Ch03)	..	AutoMixGain (Ch03)	AutoMixGain (Ch03)	
:	:	:	:	..	:	:	
31	-	-	-	..	AutoMixGain (Ch15)	AutoMixGain (Ch15)	
32	-	-	-	..	-	AutoMixGain (Ch16)	
33	Input (Ch01)	Input (Ch01)	Input (Ch01)	..	Input (Ch01)	Input (Ch01)	
34	-	Input (Ch02)	Input (Ch02)	..	Input (Ch02)	Input (Ch02)	
35	-	-	Input (Ch03)	..	Input (Ch03)	Input (Ch03)	
:	:	:	:	..	:	:	
47	-	-	-	..	Input (Ch15)	Input (Ch15)	
48	-	-	-	..	-	Input (Ch16)	
49	Output (Ch01)	Output (Ch01)	Output (Ch01)	..	Output (Ch01)	Output (Ch01)	
50	-	Output (Ch02)	Output (Ch02)	..	Output (Ch02)	Output (Ch02)	
51	-	-	Output (Ch03)	..	Output (Ch03)	Output (Ch03)	
:	:	:	:	..	:	:	
63	-	-	-	..	Output (Ch15)	Output (Ch15)	
64	-	-	-	..	-	Output (Ch16)	

- : 00 (unused data)
 * : Input level which applied Weight parameter

*2 Room Combiner plus Auto Mixer

No.	Mic Input Channel						Type
	17	18	19	..	23	24	
1	Level (*) (Ch01)	Level (*) (Ch01)	Level (*) (Ch01)	..	Level (*) (Ch01)	Level (*) (Ch01)	level
2	Level (*) (Ch02)	Level (*) (Ch02)	Level (*) (Ch02)	..	Level (*) (Ch02)	Level (*) (Ch02)	
:	:	:	:	..	:	:	
17	Level (*) (Ch17)	Level (*) (Ch17)	Level (*) (Ch17)	..	Level (*) (Ch17)	Level (*) (Ch17)	
18	-	Level (*) (Ch18)	Level (*) (Ch18)	..	Level (*) (Ch18)	Level (*) (Ch18)	
19	-	-	Level (*) (Ch19)	..	Level (*) (Ch19)	Level (*) (Ch19)	
:	:	:	:	..	:	:	
23	-	-	-	..	Level (*) (Ch23)	Level (*) (Ch23)	
24	-	-	-	..	-	Level (*) (Ch24)	
25	AutoMlxGain (Ch01)	AutoMlxGain (Ch01)	AutoMlxGain (Ch01)	..	AutoMlxGain (Ch01)	AutoMlxGain (Ch01)	
26	AutoMlxGain (Ch02)	AutoMlxGain (Ch02)	AutoMlxGain (Ch02)	..	AutoMlxGain (Ch02)	AutoMlxGain (Ch02)	
:	:	:	:	..	:	:	
41	AutoMlxGain (Ch17)	AutoMlxGain (Ch17)	AutoMlxGain (Ch17)	..	AutoMlxGain (Ch17)	AutoMlxGain (Ch17)	
42	-	AutoMlxGain (Ch18)	AutoMlxGain (Ch18)	..	AutoMlxGain (Ch18)	AutoMlxGain (Ch18)	
43	-	-	AutoMlxGain (Ch19)	..	AutoMlxGain (Ch19)	AutoMlxGain (Ch19)	
:	:	:	:	..	:	:	
47	-	-	-	..	AutoMlxGain (Ch23)	AutoMlxGain (Ch23)	
48	-	-	-	..	-	AutoMlxGain (Ch24)	
49	Input (Ch01)	Input (Ch01)	Input (Ch01)	..	Input (Ch01)	Input (Ch01)	
50	Input (Ch02)	Input (Ch02)	Input (Ch02)	..	Input (Ch02)	Input (Ch02)	
:	:	:	:	..	:	:	
65	Input (Ch17)	Input (Ch17)	Input (Ch17)	..	Input (Ch17)	Input (Ch17)	
66	-	Input (Ch18)	Input (Ch18)	..	Input (Ch18)	Input (Ch18)	
67	-	-	Input (Ch19)	..	Input (Ch19)	Input (Ch19)	
:	:	:	:	..	:	:	
71	-	-	-	..	Input (Ch23)	Input (Ch23)	
72	-	-	-	..	-	Input (Ch24)	
73	Output (Ch01)	Output (Ch01)	Output (Ch01)	..	Output (Ch01)	Output (Ch01)	
74	Output (Ch02)	Output (Ch02)	Output (Ch02)	..	Output (Ch02)	Output (Ch02)	
:	:	:	:	..	:	:	
89	Output (Ch17)	Output (Ch17)	Output (Ch17)	..	Output (Ch17)	Output (Ch17)	
90	-	Output (Ch08)	Output (Ch08)	..	Output (Ch08)	Output (Ch08)	
91	-	-	Output (Ch19)	..	Output (Ch19)	Output (Ch19)	
:	:	:	:	..	:	:	
95	-	-	-	..	Output (Ch23)	Output (Ch23)	
96	-	-	-	..	-	Output (Ch24)	

- : 00 (unused data)

* : Input level which applied Weight parameter

*3 Dugan Automixer 2 - 4 Channel

No.	Channel			Type
	2	3	4	
1	Level (*) (Ch01)	Level (*) (Ch01)	Level (*) (Ch01)	level
2	Level (*) (Ch02)	Level (*) (Ch02)	Level (*) (Ch02)	
3	-	Level (*) (Ch03)	Level (*) (Ch03)	
4	-	-	Level (*) (Ch04)	
5	AutoMixGain (Ch01)	AutoMixGain (Ch01)	AutoMixGain (Ch01)	
6	AutoMixGain (Ch02)	AutoMixGain (Ch02)	AutoMixGain (Ch02)	
7	-	AutoMixGain (Ch03)	AutoMixGain (Ch03)	
8	-	-	AutoMixGain (Ch04)	
9	Input (Ch01)	Input (Ch01)	Input (Ch01)	
10	Input (Ch02)	Input (Ch02)	Input (Ch02)	
11	-	Input (Ch03)	Input (Ch03)	
12	-	-	Input (Ch04)	
13	Output (Ch01)	Output (Ch01)	Output (Ch01)	
14	Output (Ch02)	Output (Ch02)	Output (Ch02)	
15	-	Output (Ch03)	Output (Ch03)	
16	-	-	Output (Ch04)	

- : 00 (unused data)

* : Input level which applied Weight parameter

*4 Dugan Automixer 5 - 8 Channel

No.	Channel				Type
	5	6	7	8	
1	Level (*) (Ch01)	Level (*) (Ch01)	Level (*) (Ch01)	Level (*) (Ch01)	level
2	Level (*) (Ch02)	Level (*) (Ch02)	Level (*) (Ch02)	Level (*) (Ch02)	
:	:	:	:	:	
5	-Level (*) (Ch05)	Level (*) (Ch05)	Level (*) (Ch05)	Level (*) (Ch05)	
6	-	Level (*) (Ch06)	Level (*) (Ch06)	Level (*) (Ch06)	
7	-	-	Level (*) (Ch07)	Level (*) (Ch07)	
8	-	-	-	Level (*) (Ch08)	
9	AutoMixGain (Ch01)	AutoMixGain (Ch01)	AutoMixGain (Ch01)	AutoMixGain (Ch01)	
10	AutoMixGain (Ch02)	AutoMixGain (Ch02)	AutoMixGain (Ch02)	AutoMixGain (Ch02)	
:	:	:	:	:	
13	AutoMixGain (Ch05)	AutoMixGain (Ch05)	AutoMixGain (Ch05)	AutoMixGain (Ch05)	
14	-	AutoMixGain (Ch06)	AutoMixGain (Ch06)	AutoMixGain (Ch06)	
15	-	-	AutoMixGain (Ch07)	AutoMixGain (Ch07)	
16	-	-	-	AutoMixGain (Ch08)	
17	Input (Ch01)	Input (Ch01)	Input (Ch01)	Input (Ch01)	
18	Input (Ch02)	Input (Ch02)	Input (Ch02)	Input (Ch02)	
:	:	:	:	:	
21	Input (Ch05)	Input (Ch05)	Input (Ch05)	Input (Ch05)	
22	-	Input (Ch06)	Input (Ch06)	Input (Ch06)	
23	-	-	Input (Ch07)	Input (Ch07)	
24	-	-	-	Input (Ch08)	
25	Output (Ch01)	Output (Ch01)	Output (Ch01)	Output (Ch01)	
26	Output (Ch02)	Output (Ch02)	Output (Ch02)	Output (Ch02)	
:	:	:	:	:	
27	Output (Ch05)	Output (Ch05)	Output (Ch05)	Output (Ch05)	
31	-	Output (Ch06)	Output (Ch06)	Output (Ch06)	
31	-	-	Output (Ch07)	Output (Ch07)	
32	-	-	-	Output (Ch08)	

- : 00 (unused data)

* : Input level which applied Weight parameter

*5 Dugan Automixer 9 - 16 Channel

No.	Mic Input Channel							Type
	9	10	..	13	14	15	16	
1	Level (*) (Ch01)	Level (*) (Ch01)	..	Level (*) (Ch01)	Level (*) (Ch01)	Level (*) (Ch01)	Level (*) (Ch01)	level
2	Level (*) (Ch02)	Level (*) (Ch02)	..	Level (*) (Ch02)	Level (*) (Ch02)	Level (*) (Ch02)	Level (*) (Ch02)	
:	:	:	..	:	:	:	:	
9	Level (*) (Ch09)	Level (*) (Ch09)	..	Level (*) (Ch09)	Level (*) (Ch09)	Level (*) (Ch09)	Level (*) (Ch09)	
10	-	Level (*) (Ch10)	..	Level (*) (Ch10)	Level (*) (Ch10)	Level (*) (Ch10)	Level (*) (Ch10)	
:	:	:	..	:	:	:	:	
13	-	-	..	Level (*) (Ch13)	Level (*) (Ch13)	Level (*) (Ch13)	Level (*) (Ch13)	
14	-	-	..	-	Level (*) (Ch14)	Level (*) (Ch14)	Level (*) (Ch14)	
15	-	-	..	-	-	Level (*) (Ch15)	Level (*) (Ch15)	
16	-	-	..	-	-	-	Level (*) (Ch16)	
17	AutoMixGain (Ch01)	AutoMixGain (Ch01)	..	AutoMixGain (Ch01)	AutoMixGain (Ch01)	AutoMixGain (Ch01)	AutoMixGain (Ch01)	
18	AutoMixGain (Ch02)	AutoMixGain (Ch02)	..	AutoMixGain (Ch02)	AutoMixGain (Ch02)	AutoMixGain (Ch02)	AutoMixGain (Ch02)	
:	:	:	..	:	:	:	:	
25	AutoMixGain (Ch09)	AutoMixGain (Ch09)	..	AutoMixGain (Ch09)	AutoMixGain (Ch09)	AutoMixGain (Ch09)	AutoMixGain (Ch09)	
26	-	AutoMixGain (Ch10)	..	AutoMixGain (Ch10)	AutoMixGain (Ch10)	AutoMixGain (Ch10)	AutoMixGain (Ch10)	
:	:	:	..	:	:	:	:	
29	-	-	..	AutoMixGain (Ch13)	AutoMixGain (Ch13)	AutoMixGain (Ch13)	AutoMixGain (Ch13)	
30	-	-	..	-	AutoMixGain (Ch14)	AutoMixGain (Ch14)	AutoMixGain (Ch14)	
31	-	-	..	-	-	AutoMixGain (Ch15)	AutoMixGain (Ch15)	
32	-	-	..	-	-	-	AutoMixGain (Ch16)	
33	Input (Ch01)	Input (Ch01)	..	Input (Ch01)	Input (Ch01)	Input (Ch01)	Input (Ch01)	
34	Input (Ch02)	Input (Ch02)	..	Input (Ch02)	Input (Ch02)	Input (Ch02)	Input (Ch02)	
:	:	:	..	:	:	:	:	
41	Input (Ch09)	Input (Ch09)	..	Input (Ch09)	Input (Ch09)	Input (Ch09)	Input (Ch09)	
42	-	Input (Ch10)	..	Input (Ch10)	Input (Ch10)	Input (Ch10)	Input (Ch10)	
:	:	:	..	:	:	:	:	
45	-	-	..	Input (Ch13)	Input (Ch13)	Input (Ch13)	Input (Ch13)	
46	-	-	..	-	Input (Ch14)	Input (Ch14)	Input (Ch14)	
47	-	-	..	-	-	Input (Ch15)	Input (Ch15)	
48	-	-	..	-	-	-	Input (Ch16)	
49	Output (Ch01)	Output (Ch01)	..	Output (Ch01)	Output (Ch01)	Output (Ch01)	Output (Ch01)	
50	Output (Ch02)	Output (Ch02)	..	Output (Ch02)	Output (Ch02)	Output (Ch02)	Output (Ch02)	
:	:	:	..	:	:	:	:	
57	Output (Ch09)	Output (Ch09)	..	Output (Ch09)	Output (Ch09)	Output (Ch09)	Output (Ch09)	
58	-	Output (Ch10)	..	Output (Ch10)	Output (Ch10)	Output (Ch10)	Output (Ch10)	
:	:	:	..	:	:	:	:	
62	-	-	..	Output (Ch13)	Output (Ch13)	Output (Ch13)	Output (Ch13)	
63	-	-	..	-	Output (Ch14)	Output (Ch14)	Output (Ch14)	
63	-	-	..	-	-	Output (Ch15)	Output (Ch15)	
64	-	-	..	-	-	-	Output (Ch16)	

- : 00 (unused data)

* : Input level with Weight parameter applied

*6 Dugan Automixer 17 - 24 Channel

No.	Channel							Type
	17	18	..	21	22	23	24	
1	Level (*) (Ch01)	Level (*) (Ch01)	..	Level (*) (Ch01)	Level (*) (Ch01)	Level (*) (Ch01)	Level (*) (Ch01)	level
2	Level (*) (Ch02)	Level (*) (Ch02)	..	Level (*) (Ch02)	Level (*) (Ch02)	Level (*) (Ch02)	Level (*) (Ch02)	
:	:	:	..	:	:	:	:	
17	Level (*) (Ch17)	Level (*) (Ch17)	..	Level (*) (Ch17)	Level (*) (Ch17)	Level (*) (Ch17)	Level (*) (Ch17)	
18	-	Level (*) (Ch18)	..	Level (*) (Ch18)	Level (*) (Ch18)	Level (*) (Ch18)	Level (*) (Ch18)	
:	:	:	..	:	:	:	:	
21	-	-	..	Level (*) (Ch21)	Level (*) (Ch21)	Level (*) (Ch21)	Level (*) (Ch21)	
22	-	-	..	-	Level (*) (Ch22)	Level (*) (Ch22)	Level (*) (Ch22)	
23	-	-	..	-	-	Level (*) (Ch23)	Level (*) (Ch23)	
24	-	-	..	-	-	-	Level (*) (Ch24)	
25	AutoMlxGain (Ch01)	AutoMlxGain (Ch01)	..	AutoMlxGain (Ch01)	AutoMlxGain (Ch01)	AutoMlxGain (Ch01)	AutoMlxGain (Ch01)	
26	AutoMlxGain (Ch02)	AutoMlxGain (Ch02)	..	AutoMlxGain (Ch02)	AutoMlxGain (Ch02)	AutoMlxGain (Ch02)	AutoMlxGain (Ch02)	
:	:	:	..	:	:	:	:	
41	AutoMlxGain (Ch17)	AutoMlxGain (Ch17)	..	AutoMlxGain (Ch17)	AutoMlxGain (Ch17)	AutoMlxGain (Ch17)	AutoMlxGain (Ch17)	
42	-	AutoMlxGain (Ch18)	..	AutoMlxGain (Ch18)	AutoMlxGain (Ch18)	AutoMlxGain (Ch18)	AutoMlxGain (Ch18)	
:	:	:	..	:	:	:	:	
45	-	-	..	AutoMlxGain (Ch21)	AutoMlxGain (Ch21)	AutoMlxGain (Ch21)	AutoMlxGain (Ch21)	
46	-	-	..	-	AutoMlxGain (Ch22)	AutoMlxGain (Ch22)	AutoMlxGain (Ch22)	
47	-	-	..	-	-	AutoMlxGain (Ch23)	AutoMlxGain (Ch23)	
48	-	-	..	-	-	-	AutoMlxGain (Ch24)	
49	Input (Ch01)	Input (Ch01)	..	Input (Ch01)	Input (Ch01)	Input (Ch01)	Input (Ch01)	
50	Input (Ch02)	Input (Ch02)	..	Input (Ch02)	Input (Ch02)	Input (Ch02)	Input (Ch02)	
:	:	:	..	:	:	:	:	
65	Input (Ch17)	Input (Ch17)	..	Input (Ch17)	Input (Ch17)	Input (Ch17)	Input (Ch17)	
66	-	Input (Ch18)	..	Input (Ch18)	Input (Ch18)	Input (Ch18)	Input (Ch18)	
:	:	:	..	:	:	:	:	
69	-	-	..	Input (Ch21)	Input (Ch21)	Input (Ch21)	Input (Ch21)	
70	-	-	..	-	Input (Ch22)	Input (Ch22)	Input (Ch22)	
71	-	-	..	-	-	Input (Ch23)	Input (Ch23)	
72	-	-	..	-	-	-	Input (Ch24)	
73	Output (Ch01)	Output (Ch01)	..	Output (Ch01)	Output (Ch01)	Output (Ch01)	Output (Ch01)	
74	Output (Ch02)	Output (Ch02)	..	Output (Ch02)	Output (Ch02)	Output (Ch02)	Output (Ch02)	
:	:	:	..	:	:	:	:	
89	Output (Ch17)	Output (Ch17)	..	Output (Ch17)	Output (Ch17)	Output (Ch17)	Output (Ch17)	
90	-	Output (Ch18)	..	Output (Ch18)	Output (Ch18)	Output (Ch18)	Output (Ch18)	
:	:	:	..	:	:	:	:	
93	-	-	..	Output (Ch21)	Output (Ch21)	Output (Ch21)	Output (Ch21)	
94	-	-	..	-	Output (Ch22)	Output (Ch22)	Output (Ch22)	
95	-	-	..	-	-	Output (Ch23)	Output (Ch23)	
96	-	-	..	-	-	-	Output (Ch24)	

- : 00 (unused data)

* : Input level with Weight parameter applied

8.3. XMV Series

Model				Access ID		Category	Meter Name	Type	Remarks	
4ch	8ch	4ch D	8ch D	MemNo (Memory Number)	Uniqueld					
o		o		512	20000	-	INPUT	Meter 4 Channel (ANALOG INPUT A-D, DIGITAL INPUT A-D)	level	See 6. Parameter Value Details.
	o		o					Meter 8 Channel (ANALOG INPUT A-H, DIGITAL INPUT A-H)	level	
o		o			20001	-	OUTPUT	Meter 4 Channel (OUTPUT A-D)	level	
	o		o					Meter 8 Channel (OUTPUT A-H)	level	

8.4. EXi8

Access ID		Category	Meter Name	Type	Remarks
MemNo (Memory Number)	Uniqueld				
512	20000	-	INPUT Meter 8 Channel (INPUT1-8)	level	See Parameter Value Details.

8.5. EXo8

Access ID		Category	Meter Name		Type	Remarks
MemNo (Memory Number)	Uniqueld					
512	20001	-	OUTPUT	Meter 8 Channel (OUTPUT1-8)	level	See Parameter Value Details.